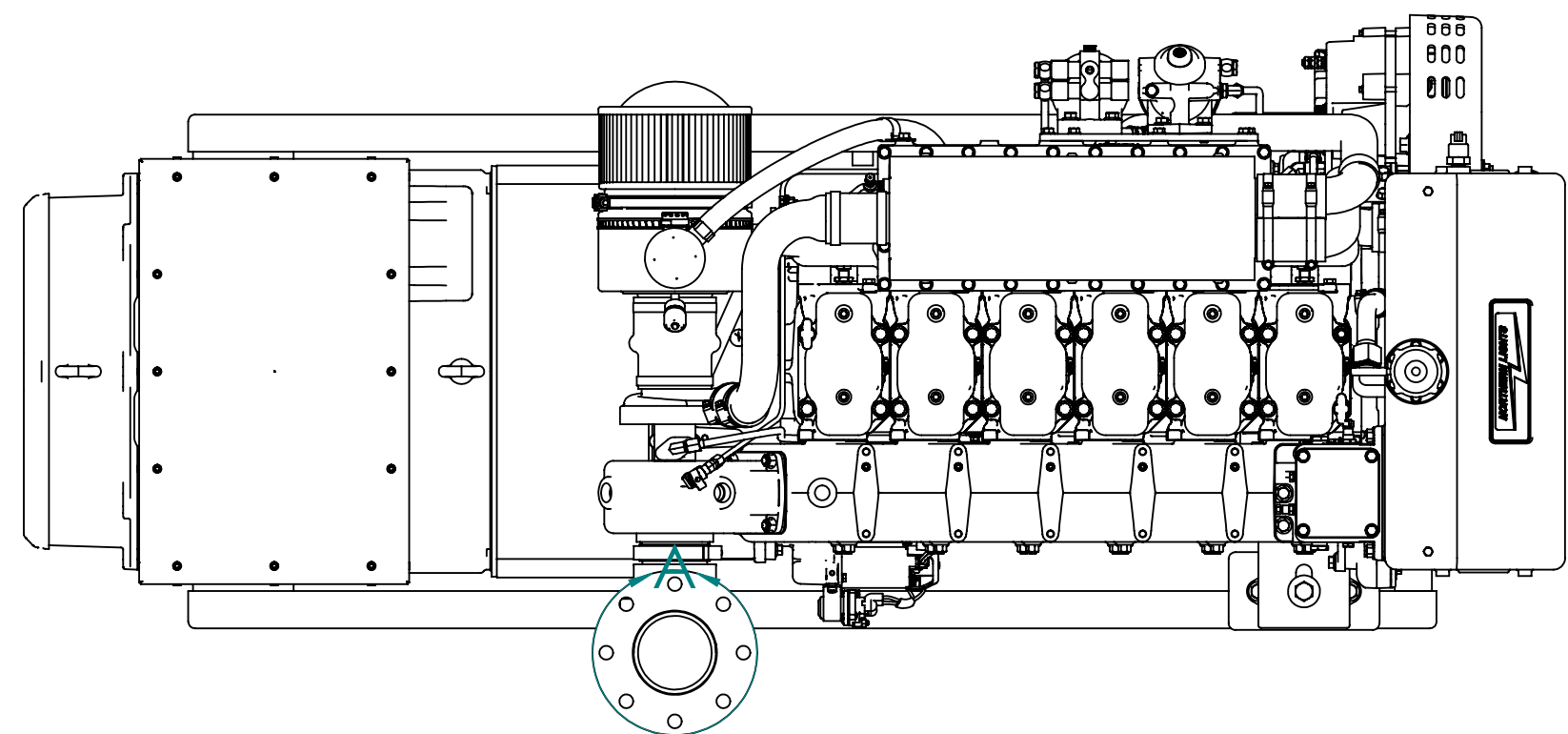


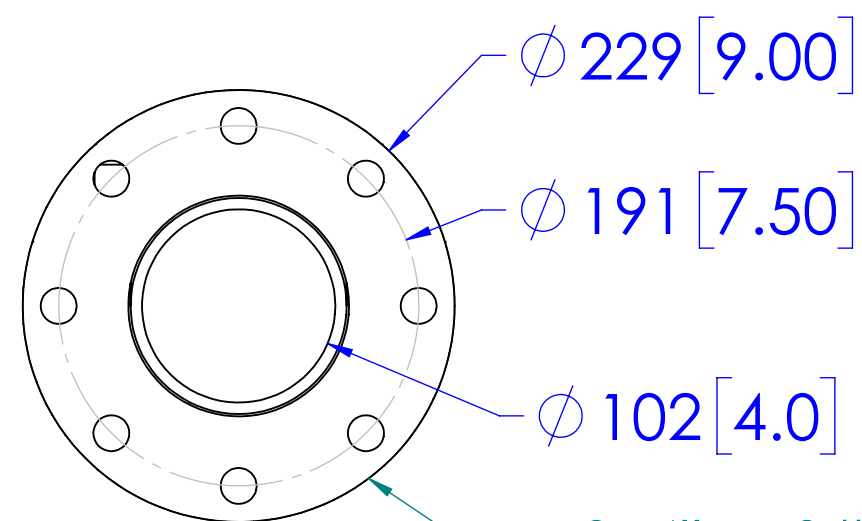
MODEL	DESCRIPTION	WEIGHT - LBS (KG)
C6105A1	147KW @ 1500RPM (50Hz), KEEL COOLED	1527 [3366]
C6105A2	166KW @ 1500RPM (50Hz), KEEL COOLED	

*NOTE: WEIGHT INCLUDES OIL, BUT NO COOLANT. VALUES ARE APPROXIMATIONS AND ARE SUBJECT TO CHANGE. PLEASE CONTACT NLI TO BE SURE YOU HAVE THE LATEST REVISION.

ITEM	DESCRIPTION	ITEM	DESCRIPTION
1	KEEL COOLER INLET Ø2.0 H.B.	14	ENGINE OIL FILL
2	KEEL COOLER OUTLET Ø2.0 H.B.	15	FUEL RETURN PORT (3/8-37T)
3	COOLANT FILL	16	FUEL SUPPLY PORT (3/8-37T)
4	AFTERCOOLER	17	OIL DRAIN PORT (1/2" NPT)
5	DRY EXHAUST ELBOW	18	ALTERNATOR
6	ELECTRIC STARTER MOTOR	19	
7	EXPANSION TANK	20	
8	THERMOSTAT HOUSING	21	
9	FUEL/WATER SEPERATOR	22	
10	FINAL FUEL FILTER	23	
11	OIL FILTER	24	
12	AIR FILTER & COALESCING FILTER	25	
13	ENGINE OIL DIPSTICK	26	

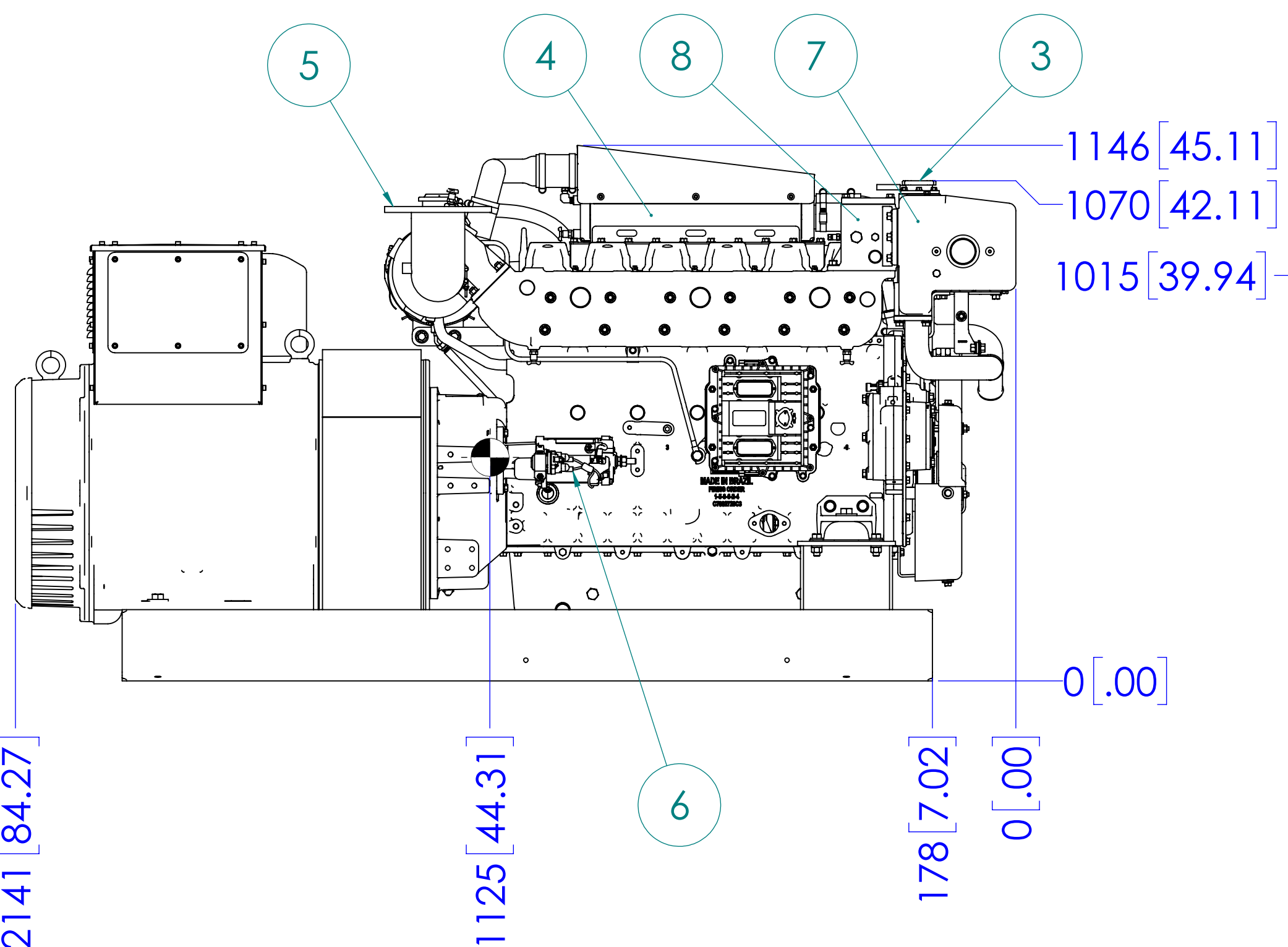


TOP

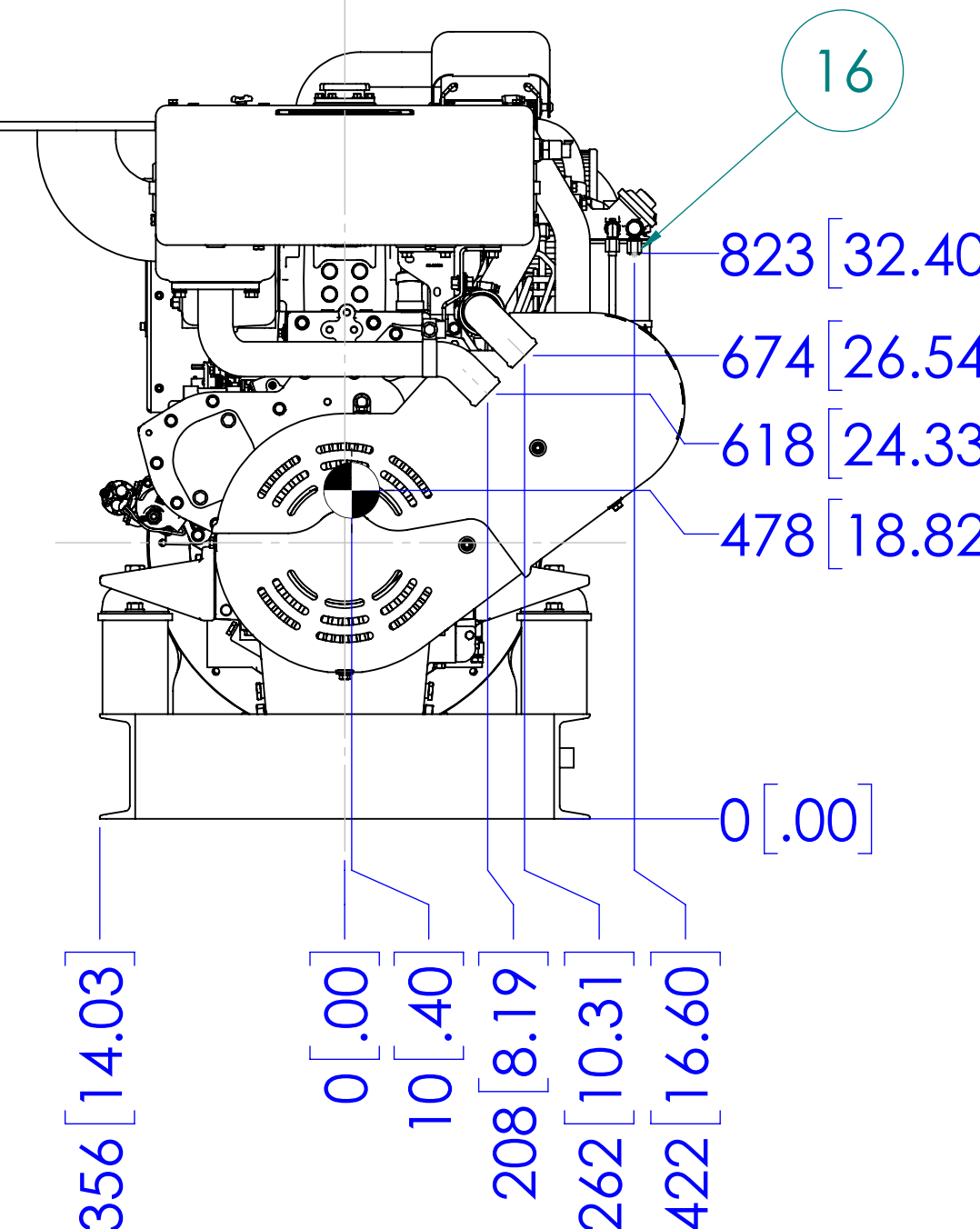


ANSI 4" 150# FLANGE
8x Ø0.75" THRU HOLES

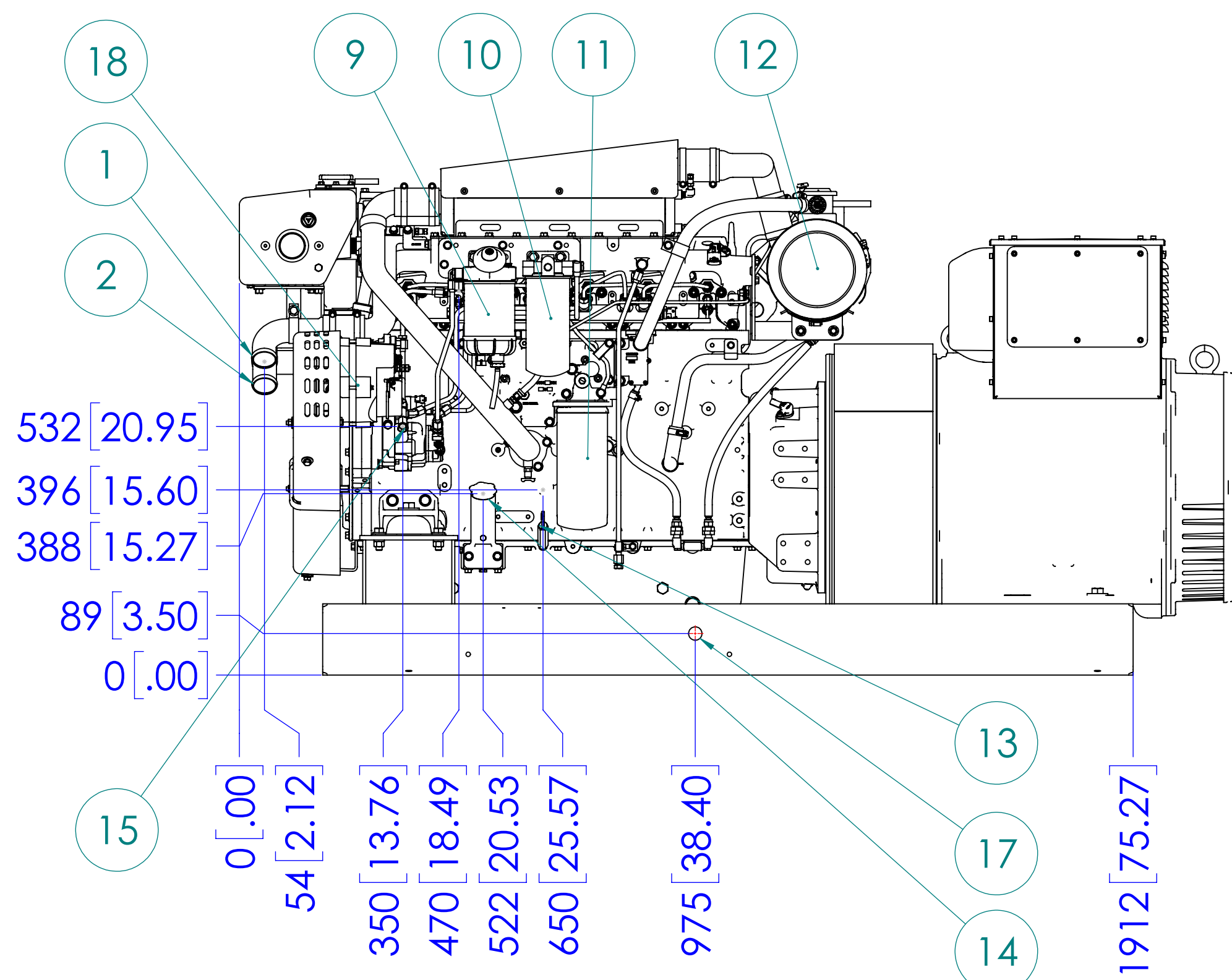
DETAIL A
OPTIONAL DRY EXHAUST FLANGE
SCALE 1 : 4



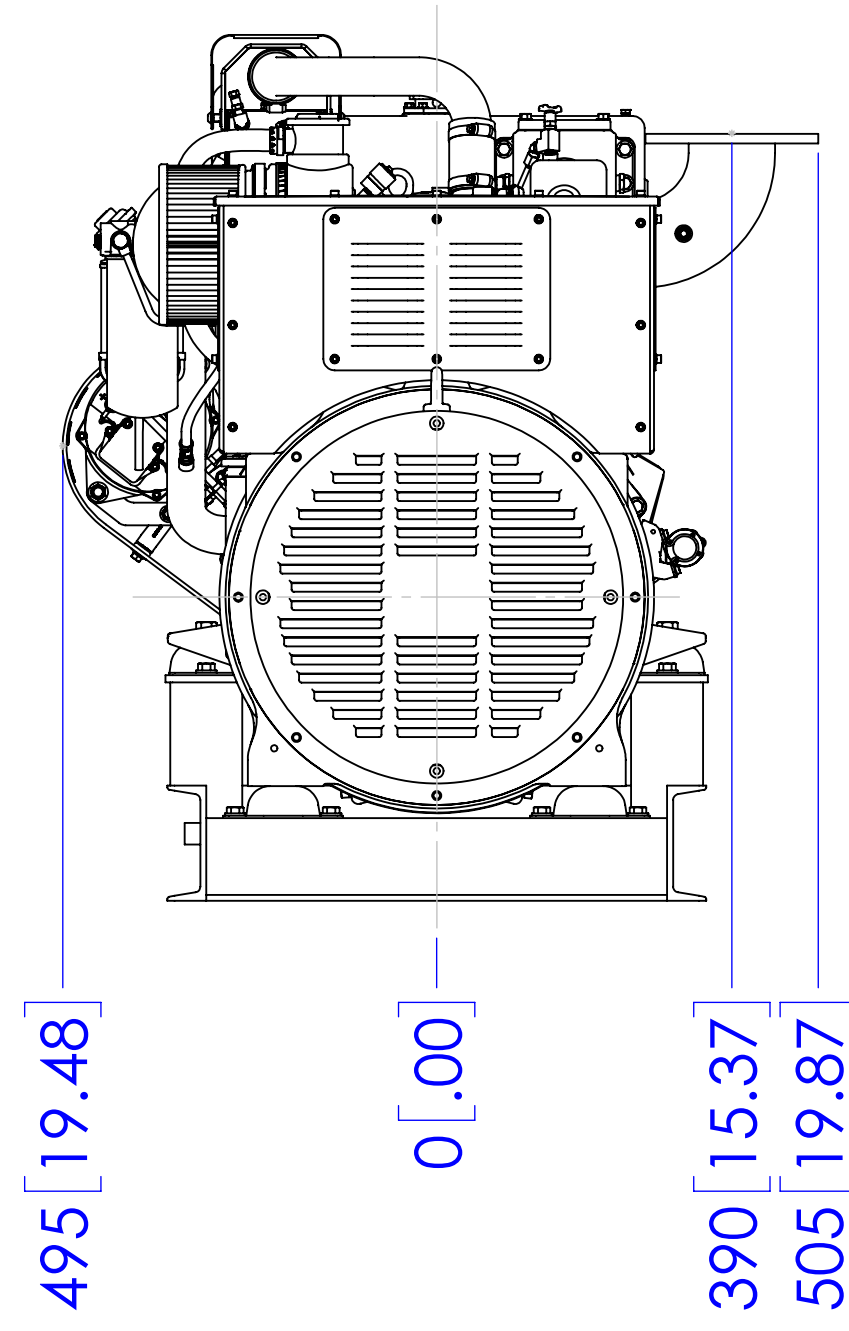
LEFT SIDE



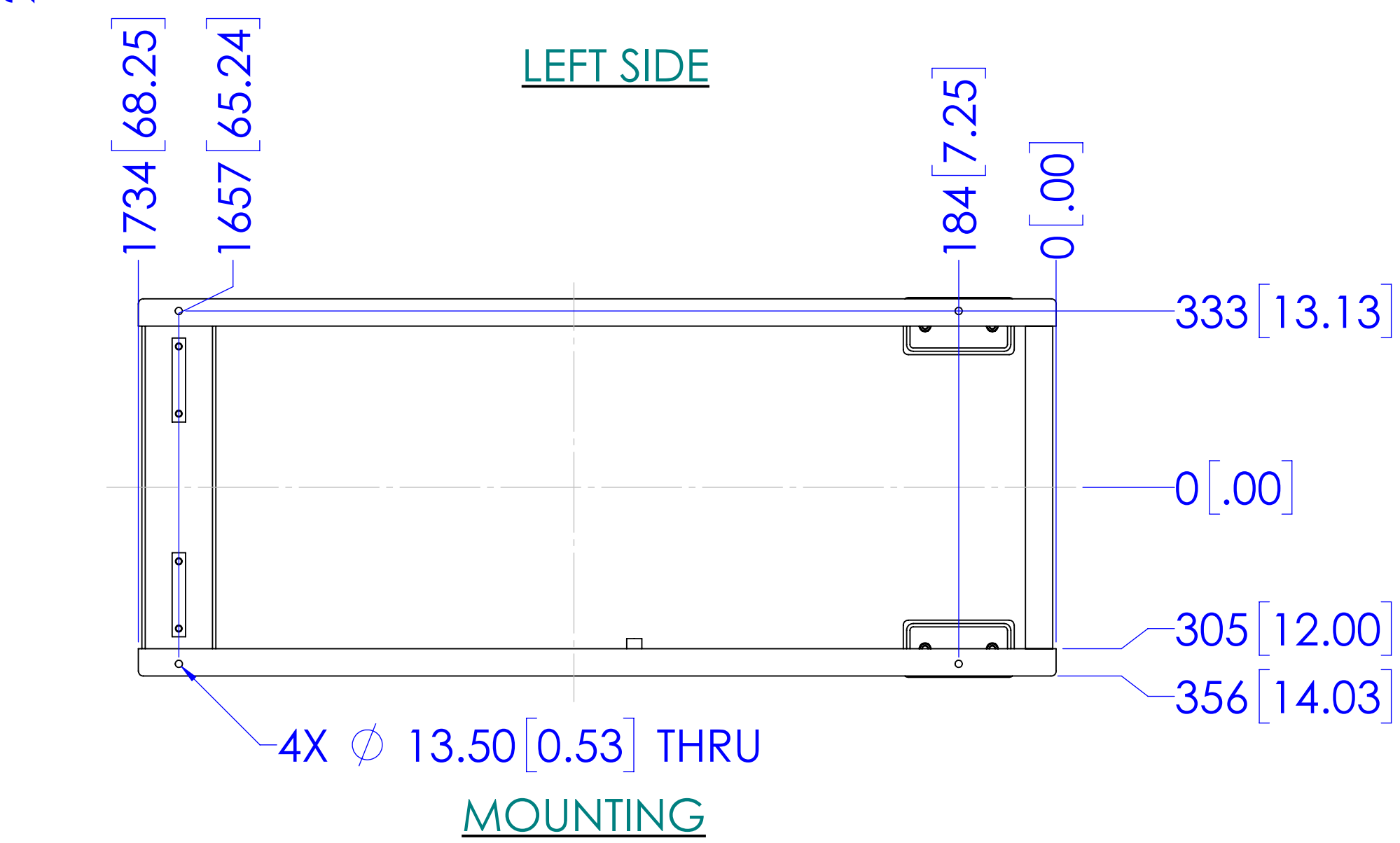
FRONT



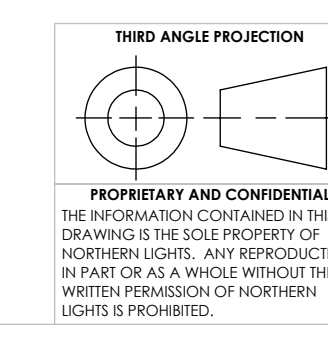
SERVICE SIDE



REAR



MOUNTING



UNLESS OTHERWISE SPECIFIED:		NAME	DATE
DIMENSIONS ARE IN MILLIMETERS		JPW	6/12/2024
TOLERANCES:		CHECKED	
ANGULAR: MACH ±0.5° BEND ± 1.0°		ENG APPR.	
.X ± 0.3		MEG APPR.	
.XX ± 0.3		Q.A.	
INTERPRET GEOMETRIC TOLERANCING PER: ASME Y14.5M		COMMENTS:	
MATERIAL:			
FINISH:			
DO NOT SCALE			

NORTHERN LIGHTS 4420 14th AVE. N.W.
Seattle, WA 98107
(206) 789-3880
www.northern-lights.com

TITLE: INSTALLATION DIMENSIONS
C6105A1, C6105A2

SIZE	PART NO.	DWG. NO.	REV
D	SEE TABLE	D-5601	
SCALE: 1:10	WEIGHT:	SHEET 1 OF 1	