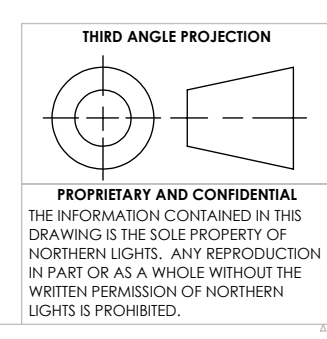
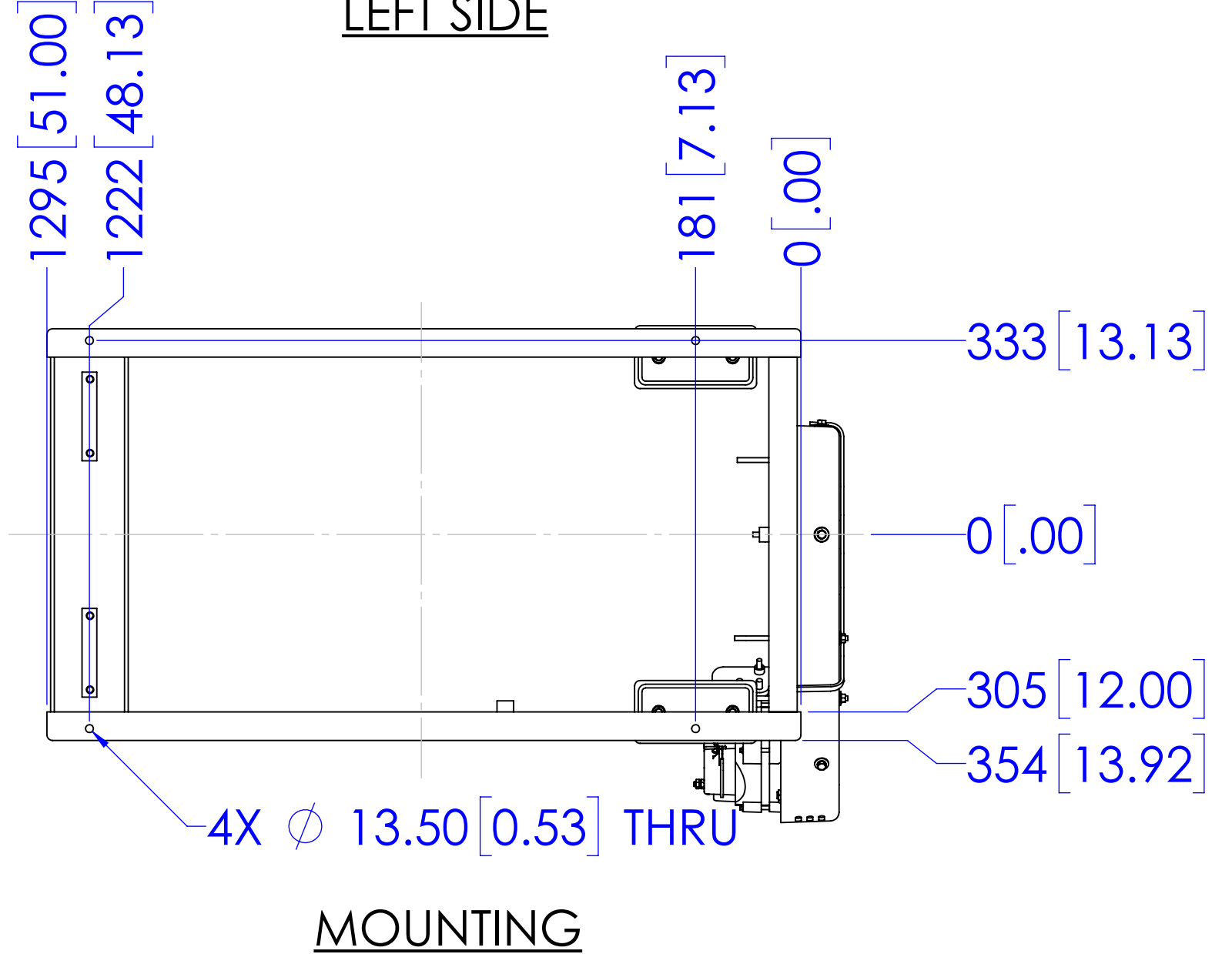
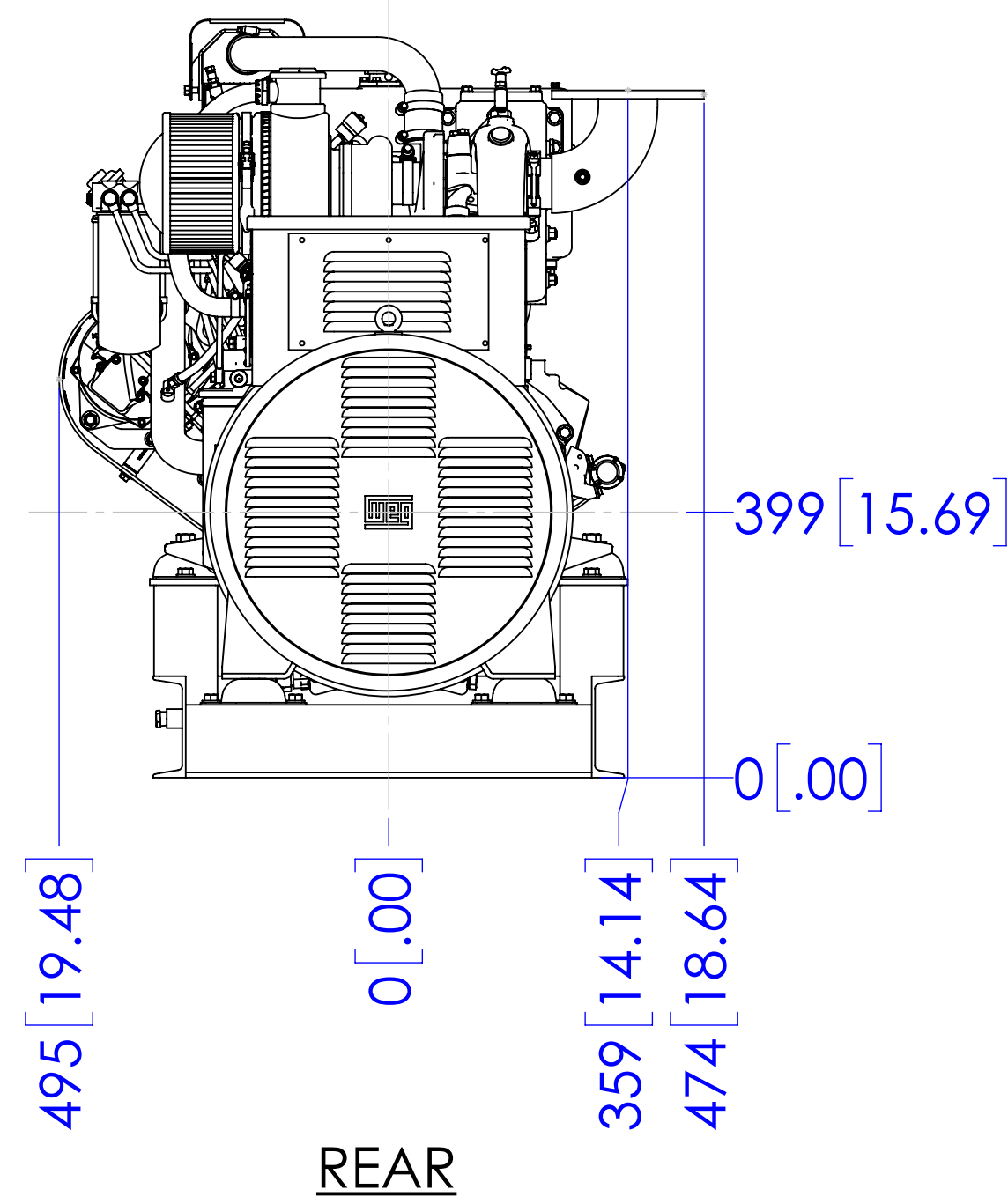
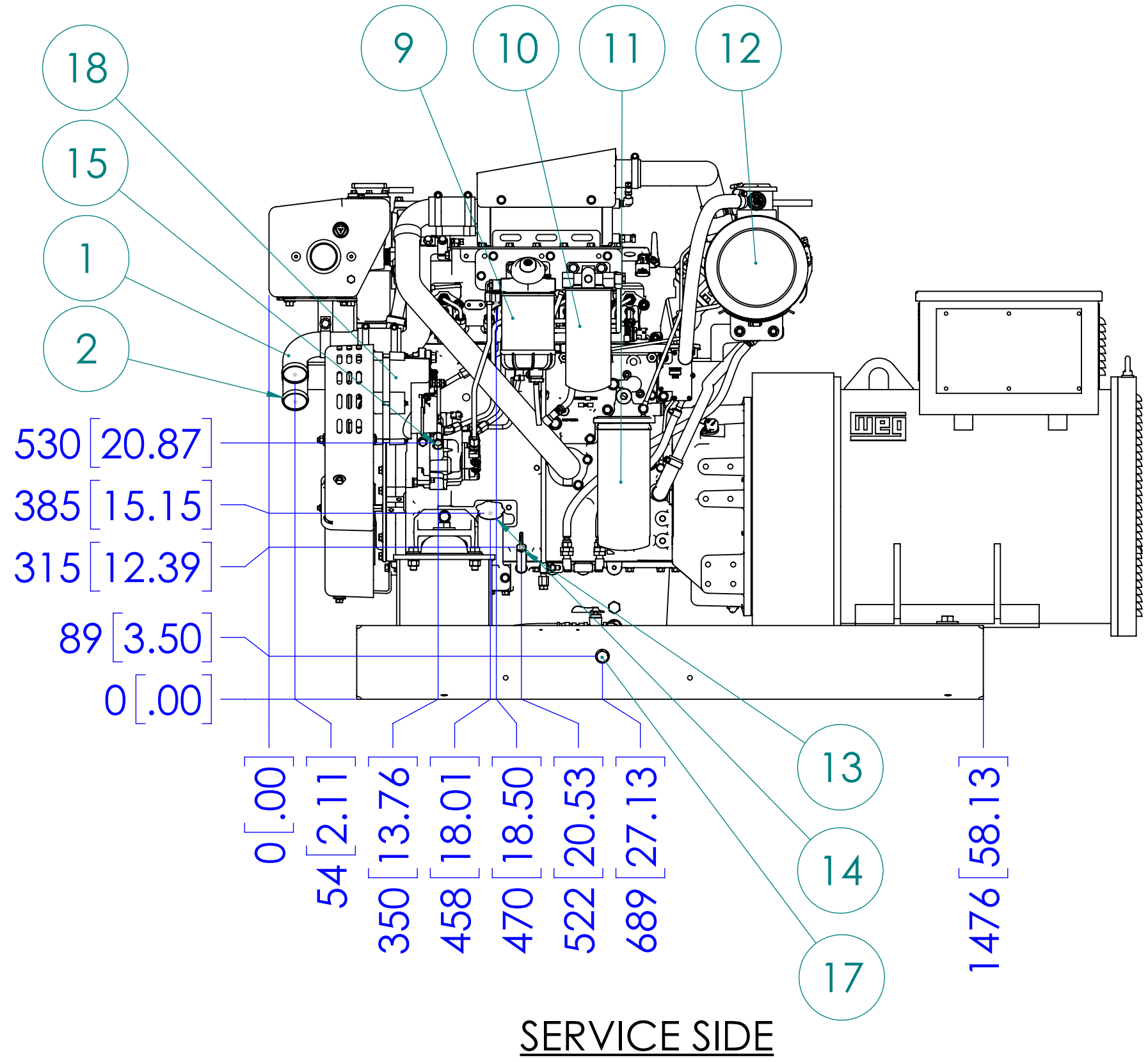
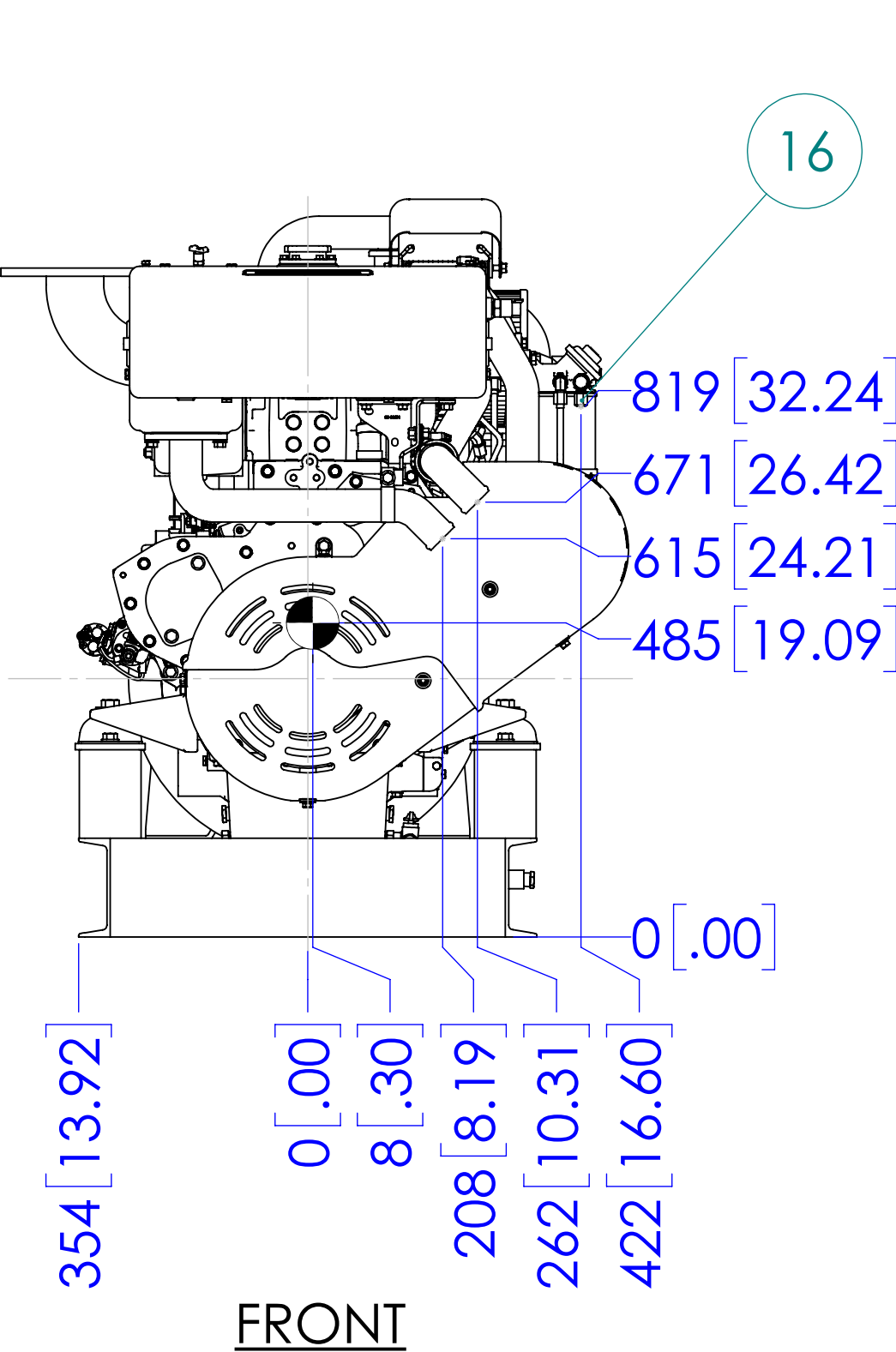
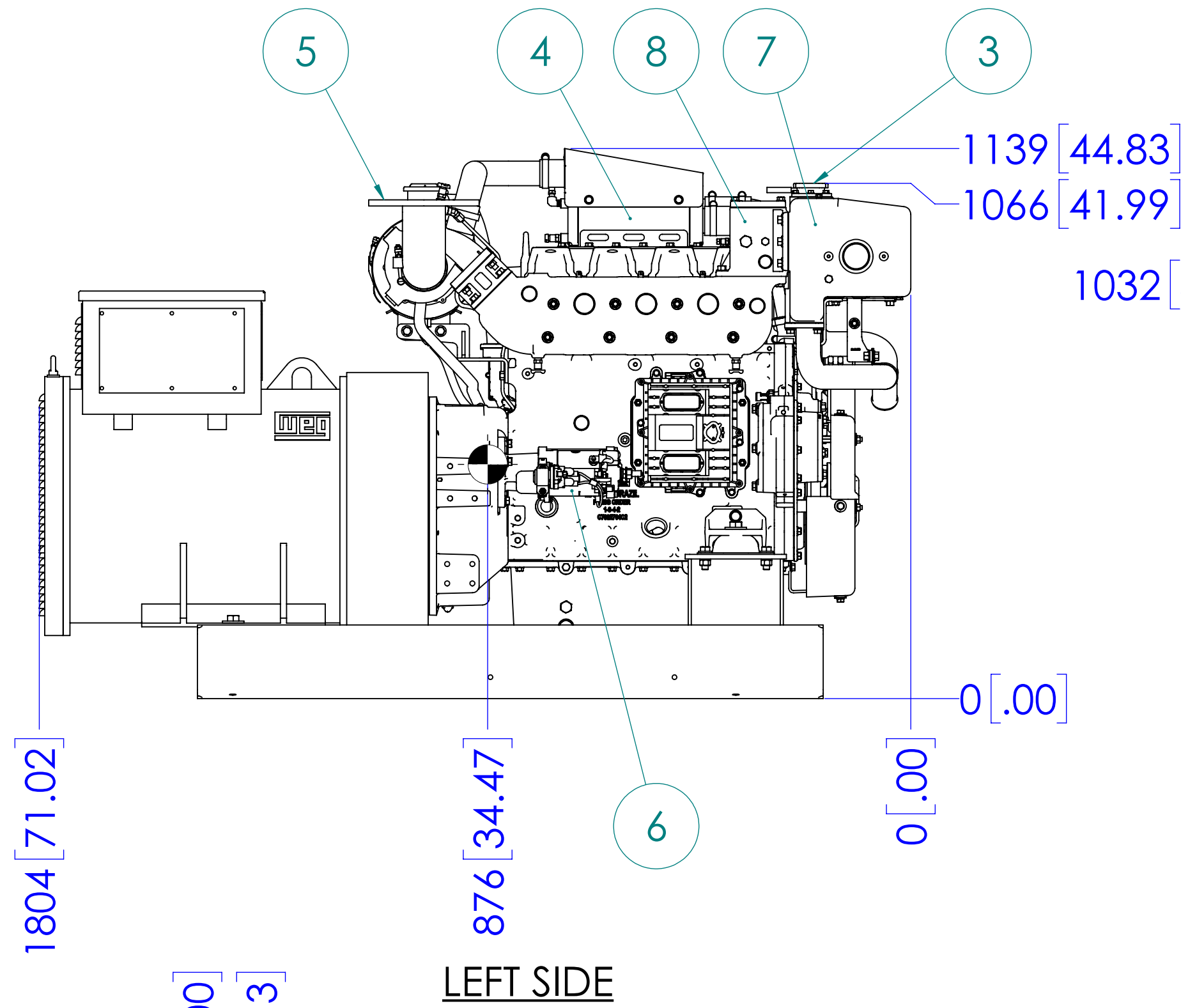
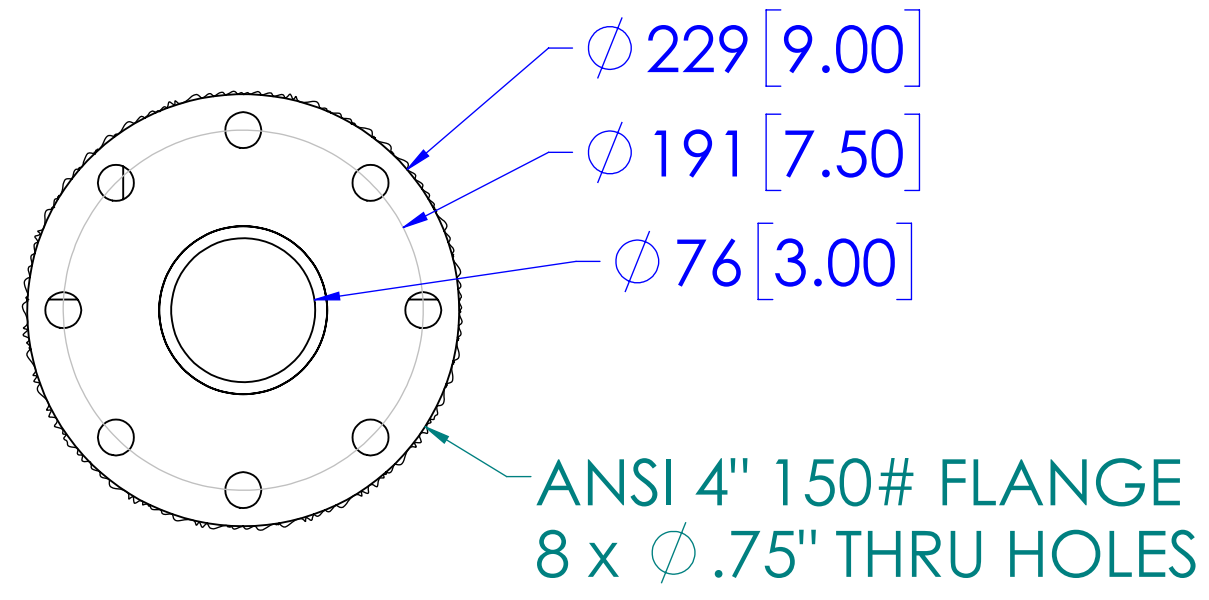
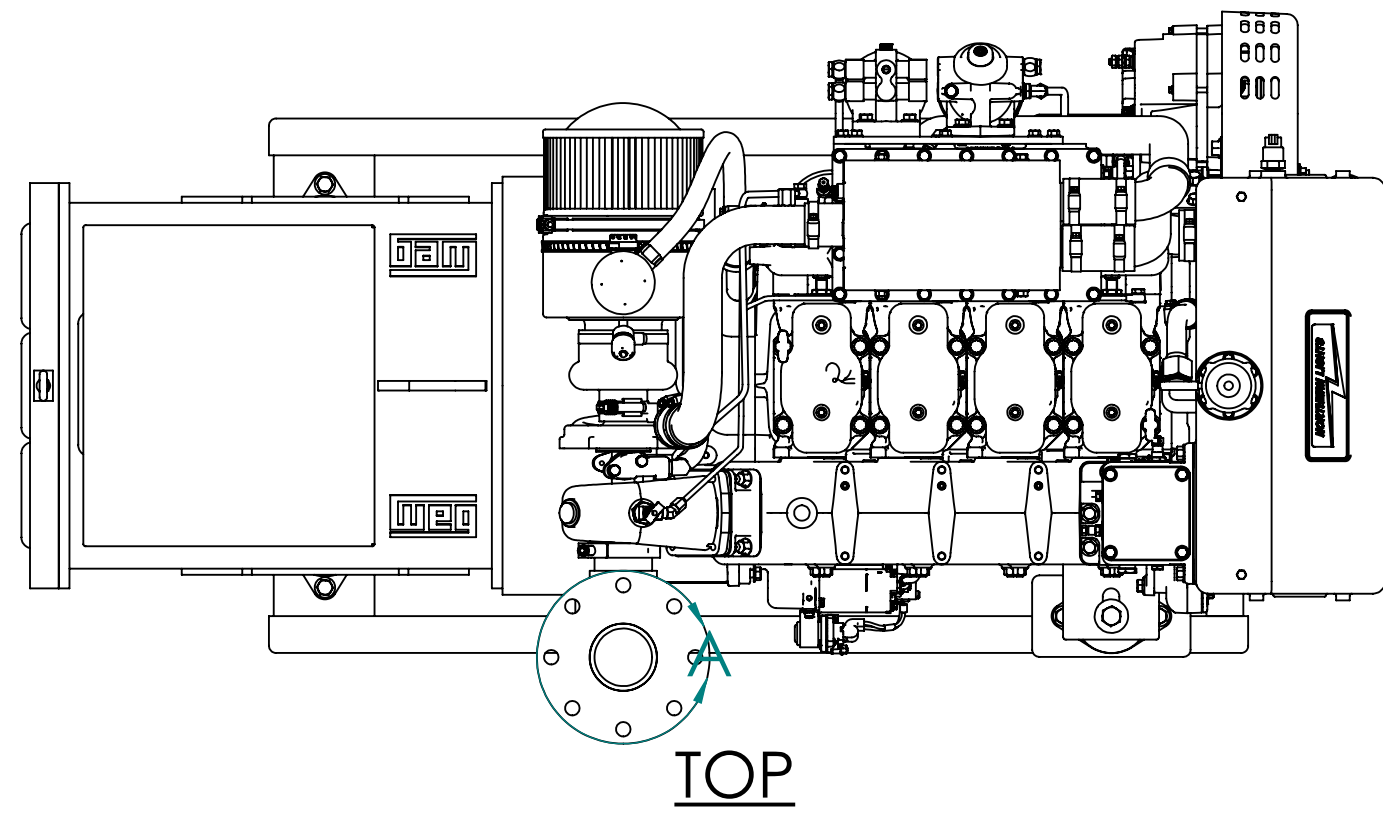


MODEL	DESCRIPTION	WEIGHT - LBS (KG)
C4105A1	85KW @ 1500RPM (50Hz), KEEL COOLED	2390 [1084]
C4105A2	100KW @ 1500RPM (50Hz), KEEL COOLED	
C4105A3	108 KW @ 1500RPM (50Hz), KEEL COOLED	

*NOTE: WEIGHT INCLUDES OIL, BUT NO COOLANT. VALUES ARE APPROXIMATIONS AND ARE SUBJECT TO CHANGE. PLEASE CONTACT NLI TO BE SURE YOU HAVE THE LATEST REVISION.

ITEM	DESCRIPTION	ITEM	DESCRIPTION
1	KEEL COOLER INLET ϕ 2.0 H.B.	14	ENGINE OIL FILL
2	KEEL COOLER OUTLET ϕ 2.0 H.B.	15	FUEL RETURN PORT (3/8-37T)
3	COOLANT FILL	16	FUEL SUPPLY PORT (3/8-37T)
4	AFTERCOOLER	17	OIL DRAIN PORT (1/2" NPT)
5	OPTIONAL DRY EXHAUST ELBOW	18	ALTERNATOR
6	ELECTRIC STARTER MOTOR	19	
7	EXPANSION TANK	20	
8	THERMOSTAT HOUSING	21	
9	FUEL/WATER SEPERATOR	22	
10	FINAL FUEL FILTER	23	
11	OIL FILTER	24	
12	AIR FILTER & COALESCING FILTER	25	
13	ENGINE OIL DIPSTICK	26	



UNLESS OTHERWISE SPECIFIED:		NAME	DATE
DIMENSIONS ARE IN MILLIMETERS		JPW	7/22/2024
TOLERANCES:		CHECKED	
ANGULAR: MACH \pm 0.5° BEND \pm 1.0°		ENG APPR.	
.X \pm 0.3		MEG APPR.	
.XX \pm 0.3		Q.A.	
INTERPRET GEOMETRIC TOLERANCING PER: ASME Y14.5M		COMMENTS:	
MATERIAL:			
FINISH:			
DO NOT SCALE			

NORTHERN LIGHTS 4420 14th AVE. N.W. Seattle, WA 98107 (206) 789-3880 www.northern-lights.com

TITLE: INSTALLATION DIMENSIONS C4105A1-3, 50HZ, GTA251A1HD

SIZE	PART NO.	DWG. NO.	REV
D	SEE TABLE	D-5535	

SCALE: 1:10 WEIGHT: SHEET 1 OF 1

REV D D-5535