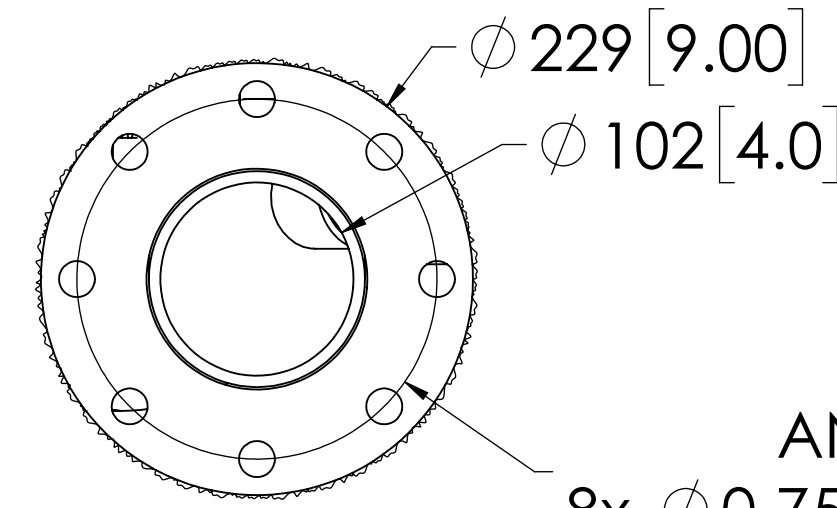
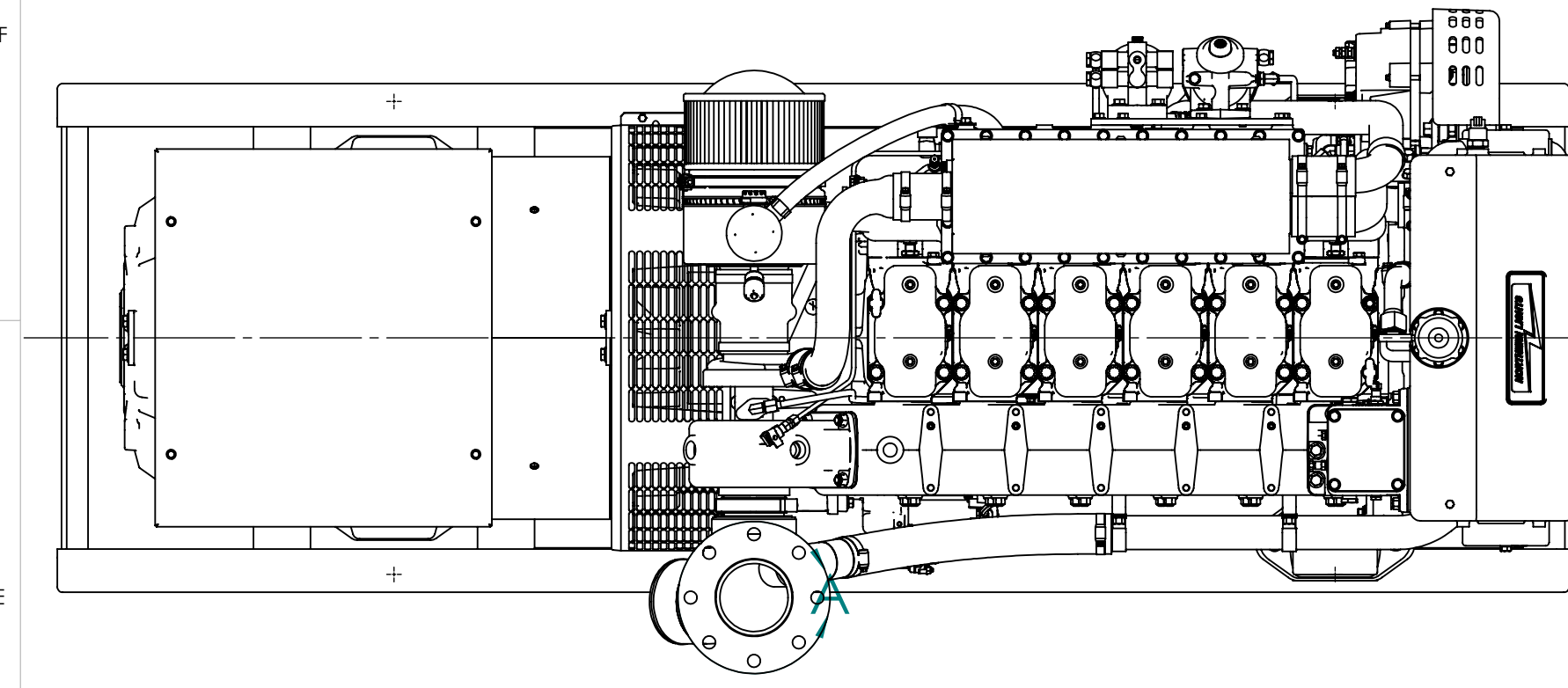


MODELS	DESCRIPTION	APPROX WT. LBS [KG]
M6105A2.5	170 KW.E @ 1500 RPM (50HZ), HEAT EXCHANGED	3700 [1678]
M6105A3.5	188 KW.E @ 1500 RPM (50HZ), HEAT EXCHANGED	

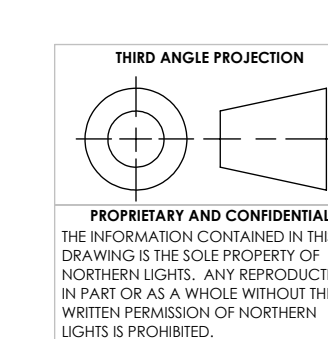
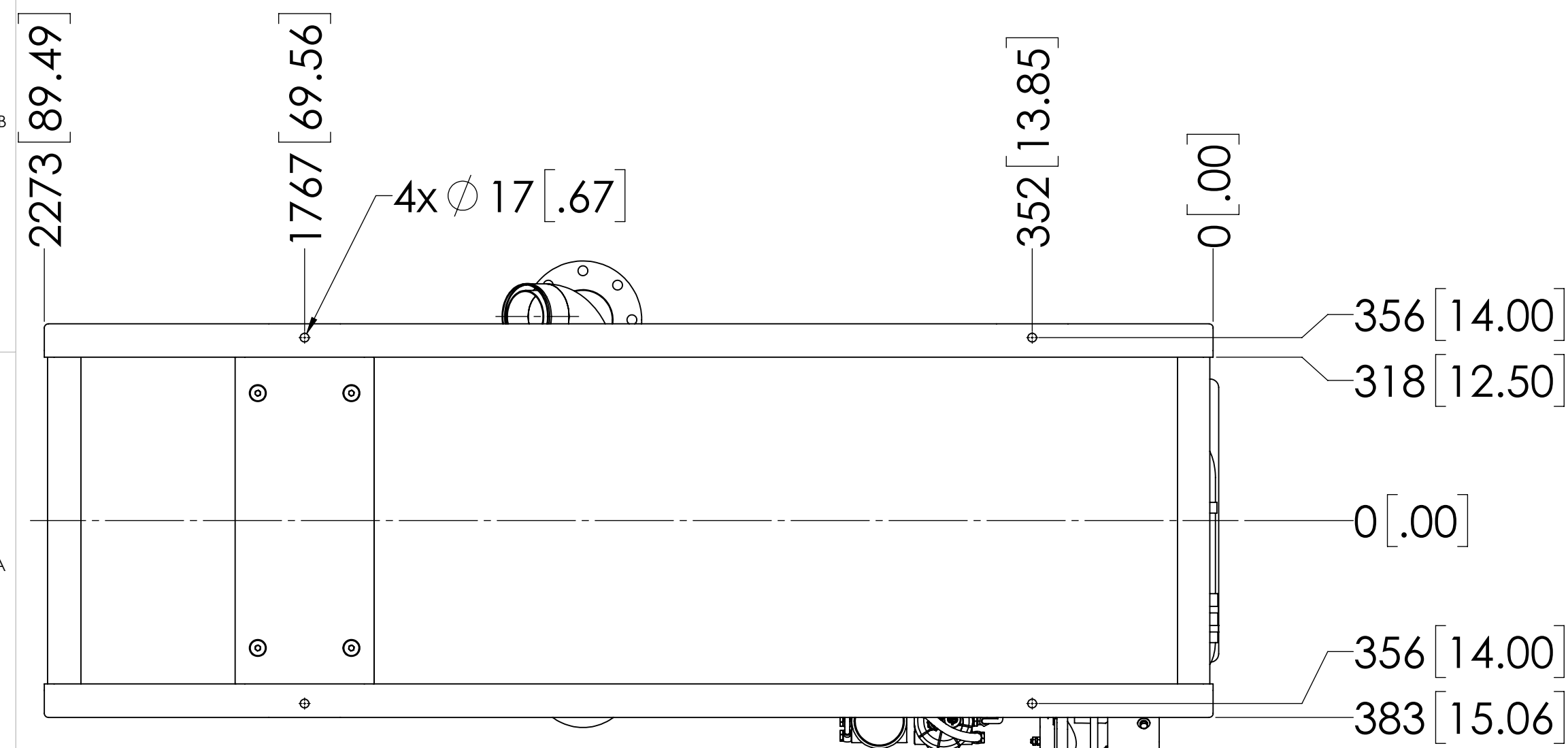
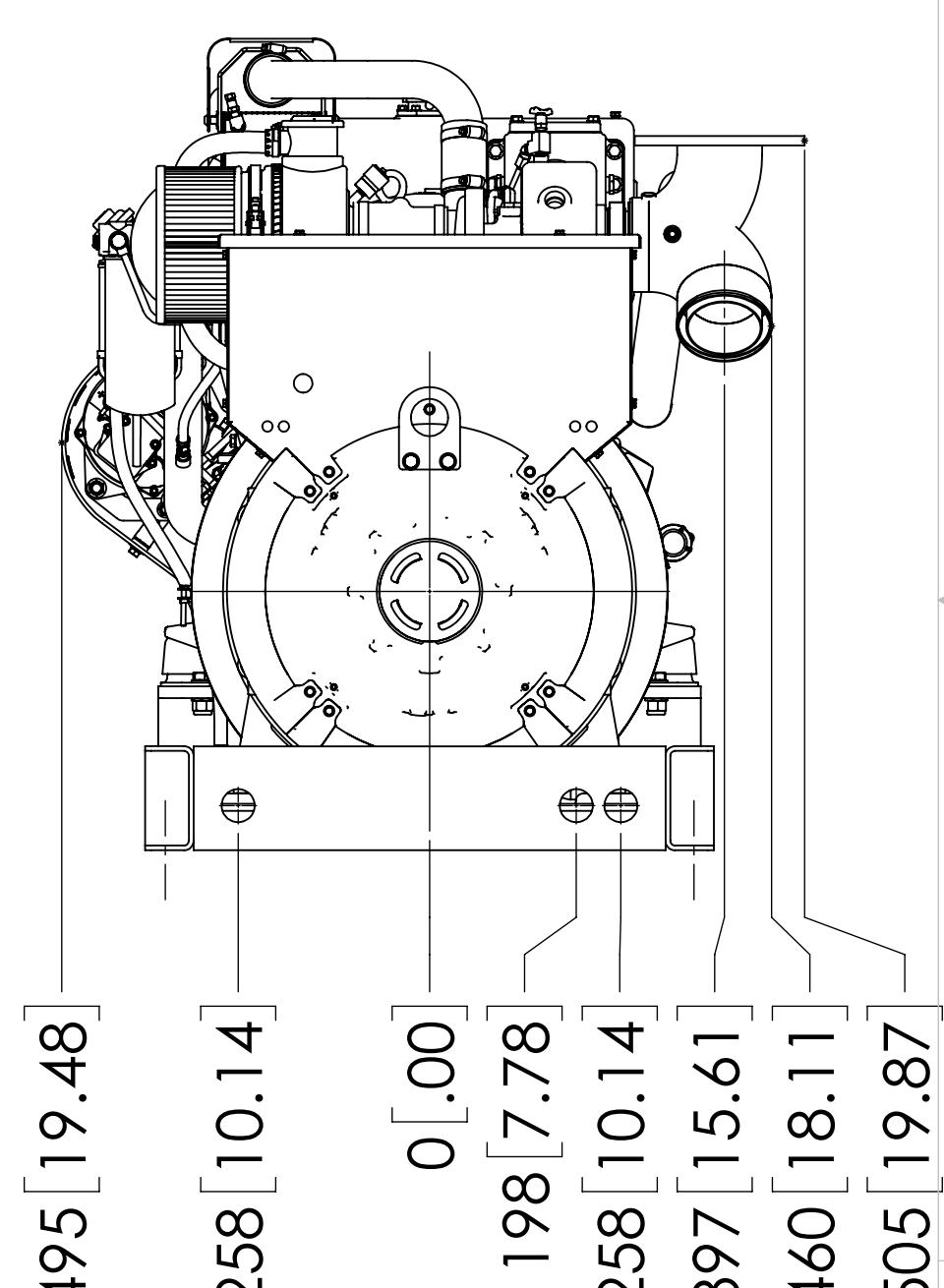
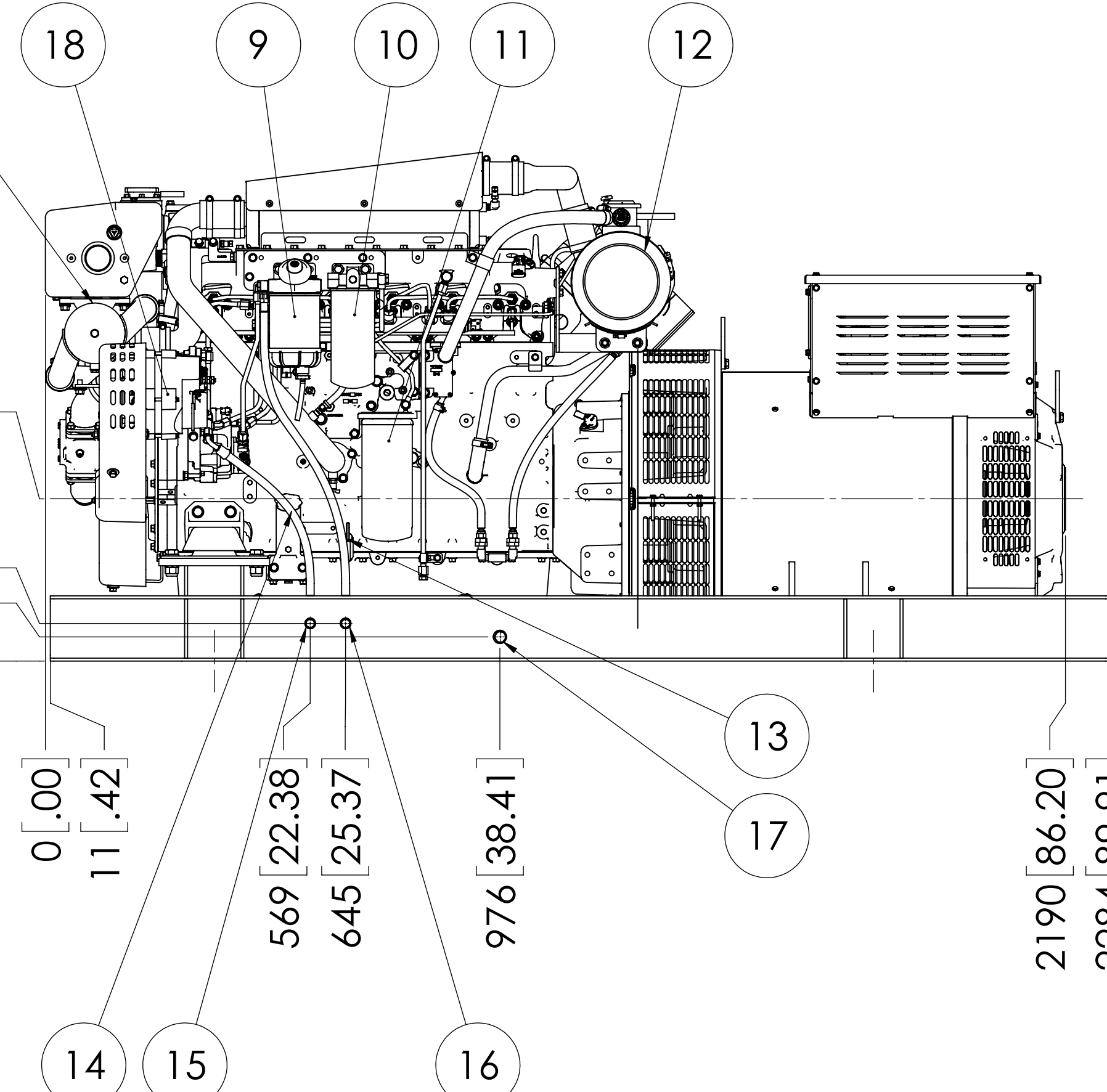
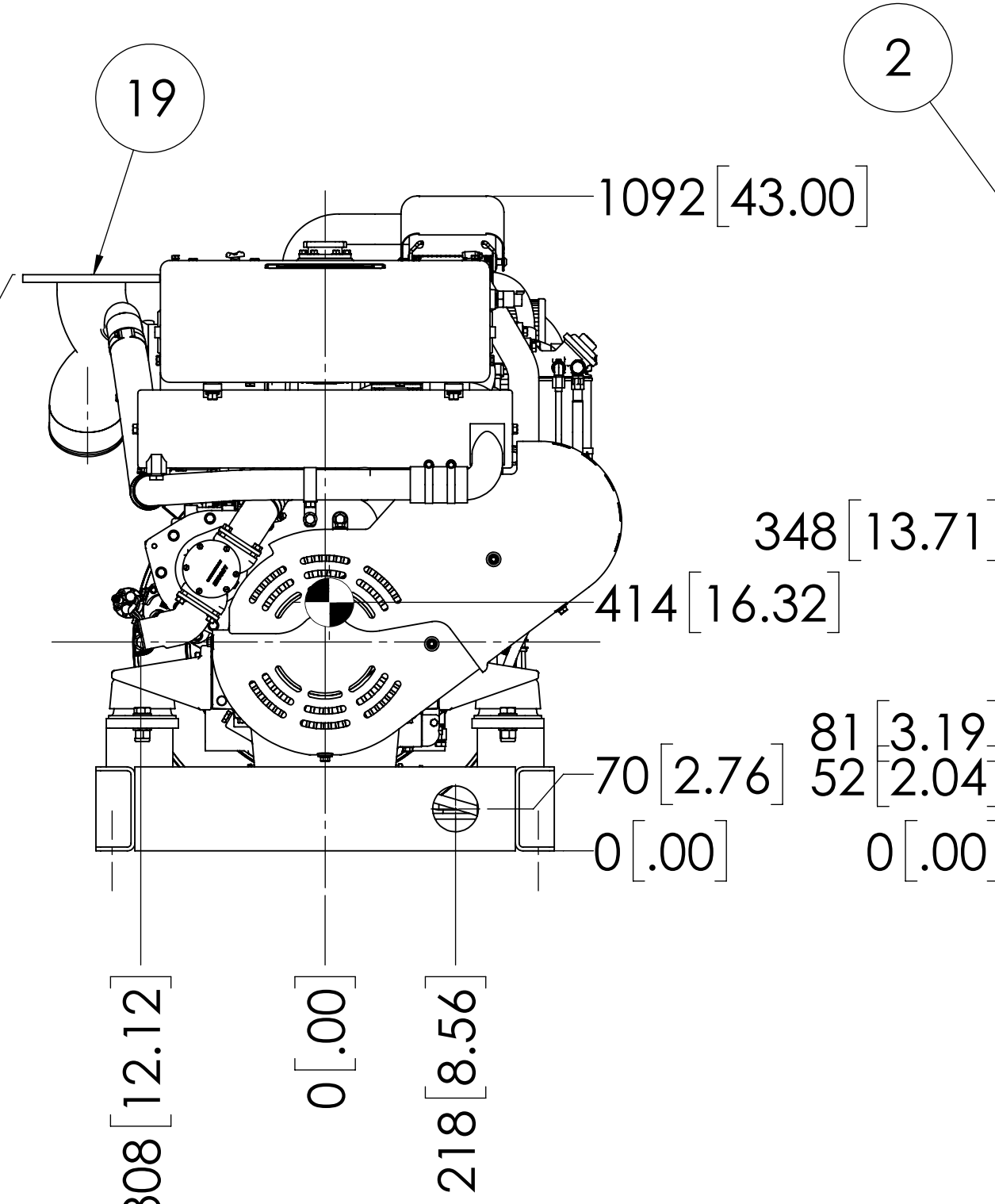
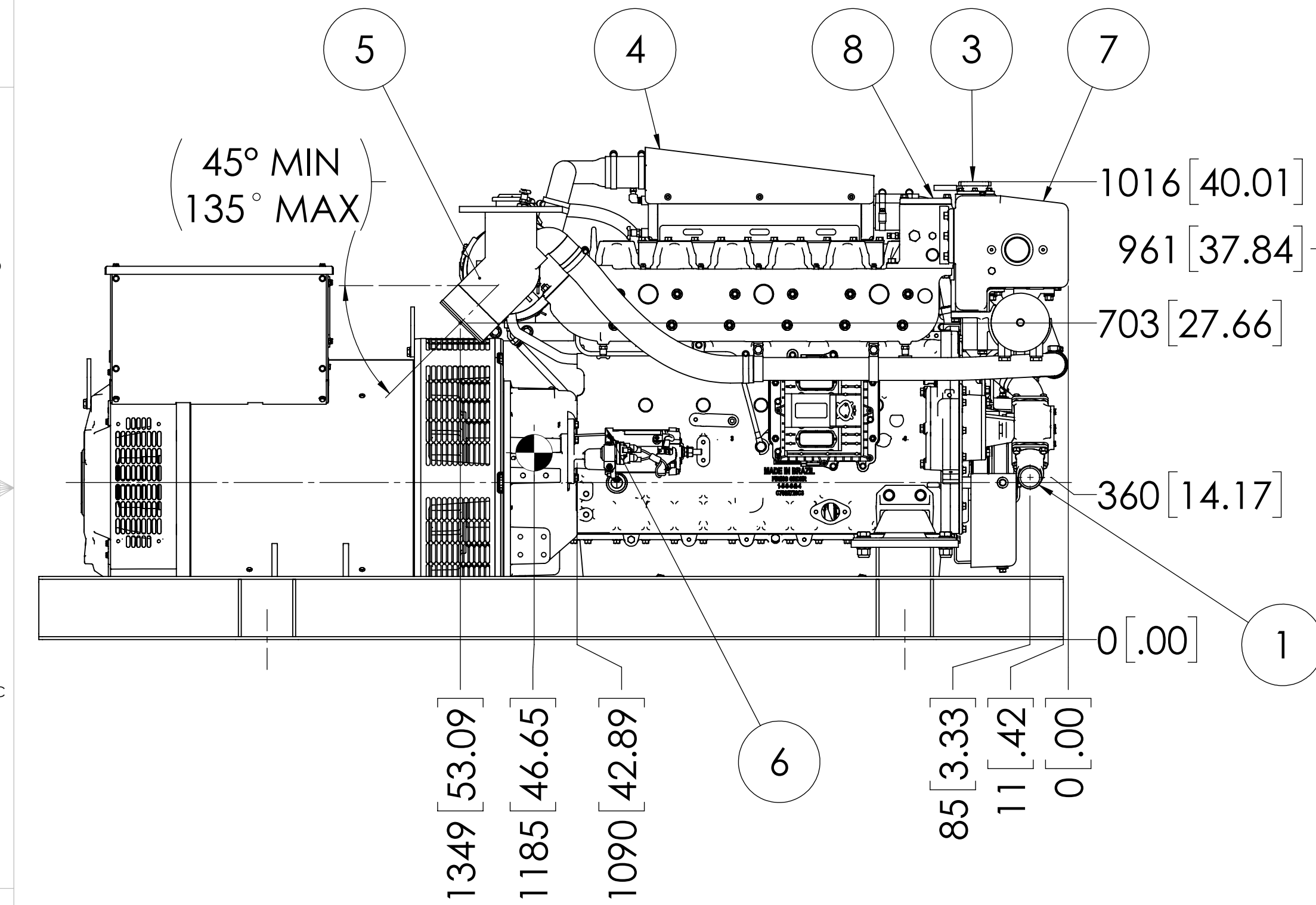
*NOTE: WEIGHTS INCLUDE OIL, BUT NOT COOLANT. VALUES ARE APPROXIMATIONS AND ARE SUBJECT TO CHANGE. PLEASE CONTACT NLI TO BE SURE YOU HAVE THE MOST CURRENT REVISION.

ITEM	DESCRIPTION	ITEM	DESCRIPTION
1	SEA WATER INLET ϕ 51 [2.0] H.B.	14	ENGINE OIL FILL
2	HEAT EXCHANGER	15	FUEL RETURN PORT 3/8" NPT
3	COOLANT FILL	16	FUEL SUPPLY PORT 3/8" NPT
4	AFTERCOOLER	17	ENGINE OIL DRAIN PORT 1/2" NPT
5	WET EXHAUST ELBOW ϕ 127 [5.0]	18	ALTERNATOR
6	ELECTRIC STARTER MOTOR	19	DRY EXHAUST FLANGE (OPTIONAL)
7	EXPANSION TANK	20	
8	THERMOSTAT HOUSING	21	
9	FUEL/WATER SEPARATOR	22	
10	PRIMARY FUEL FILTER	23	
11	OIL FILTER	24	
12	AIR FILTER & COALESCING FILTER	25	
13	ENGINE OIL DIPSTICK	26	



ANSI 4" 150# FLANGE
8x ϕ 0.75" THRU HOLES ON 7.5" B.C.

DETAIL A
OPTIONAL DRY EXHAUST FLANGE
SCALE 1 : 4



UNLESS OTHERWISE SPECIFIED:		NAME	DATE
DIMENSIONS ARE IN MILLIMETERS		LTP	9/26/2023
TOLERANCES:		CHECKED	
ANGULAR: MACH \pm 0.5° BEND \pm 1.0°		ENG APPR.	
.X \pm 0.5		MEG APPR.	
.XX \pm 0.3		G.A.	
INTERPRET GEOMETRIC TOLERANCING PER: ASME Y14.5M		COMMENTS:	
MATERIAL:			
FINISH:			
DO NOT SCALE			

NORTHERN LIGHTS 4420 14th AVE. N.W.
Seattle, WA 98107
(206) 789-3880
www.northern-lights.com

TITLE: **INSTALLATION DIMENSIONS**
M6105A2.5 / M6105A3.5

SIZE: **D** PART NO. **SEE TABLE** DWG. NO. **D-5573** REV

SCALE: 1:10 WEIGHT: SEE TABLE SHEET 1 OF 1