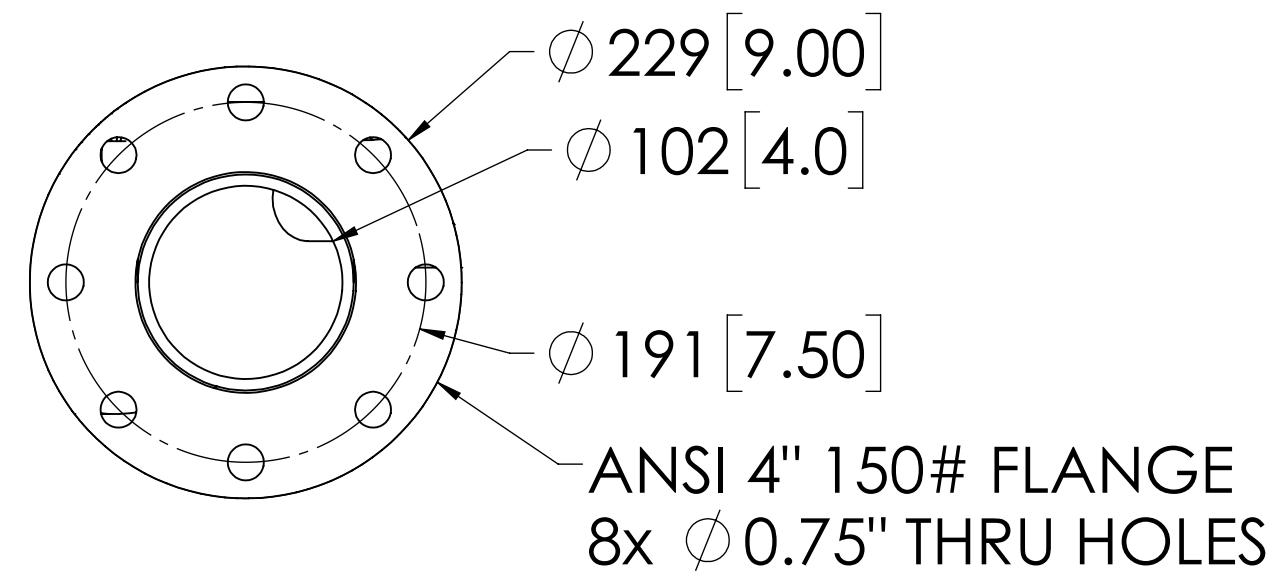
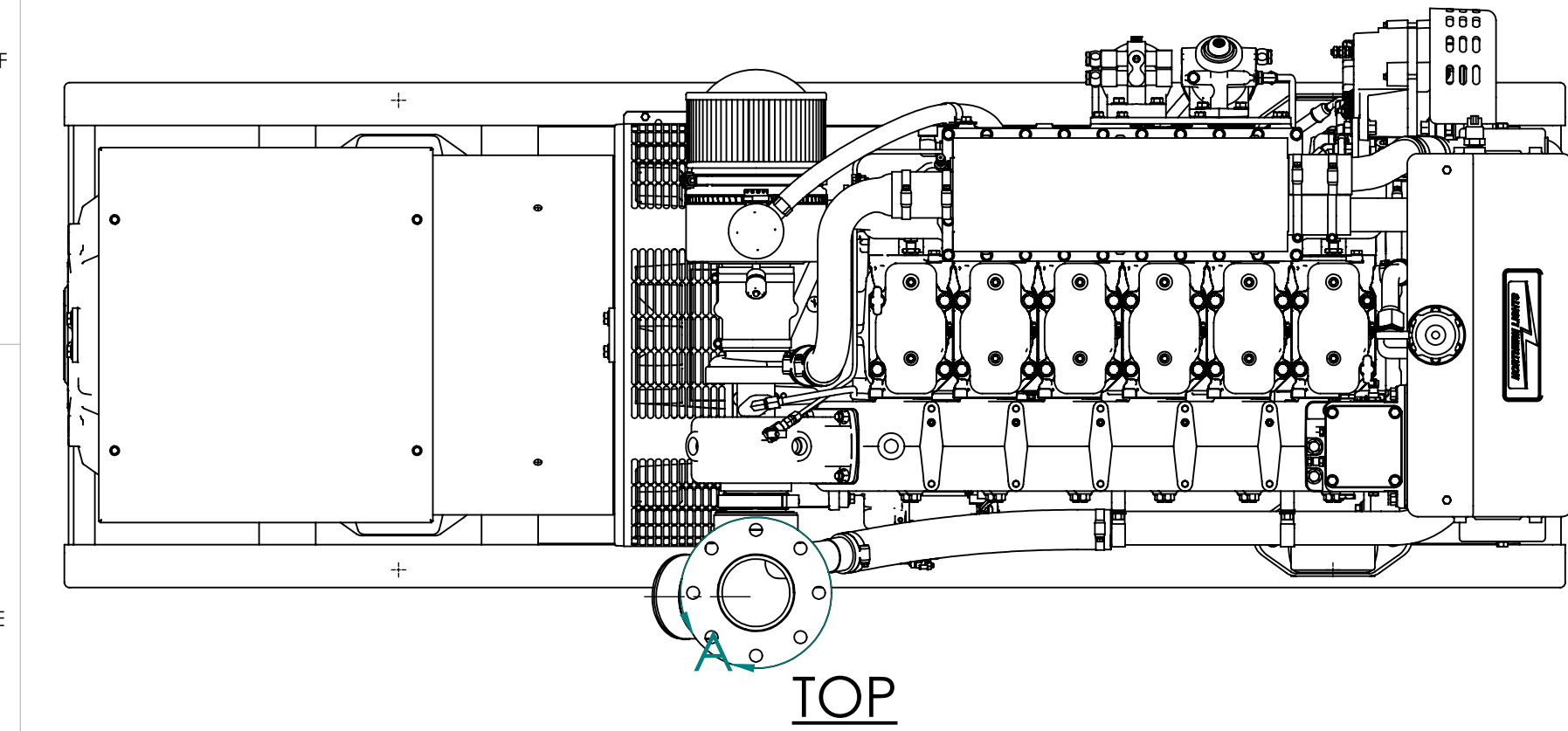


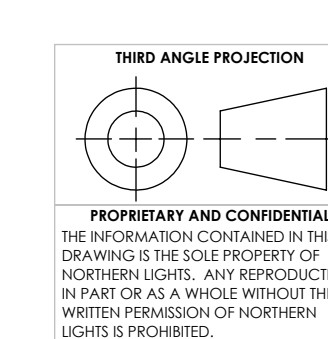
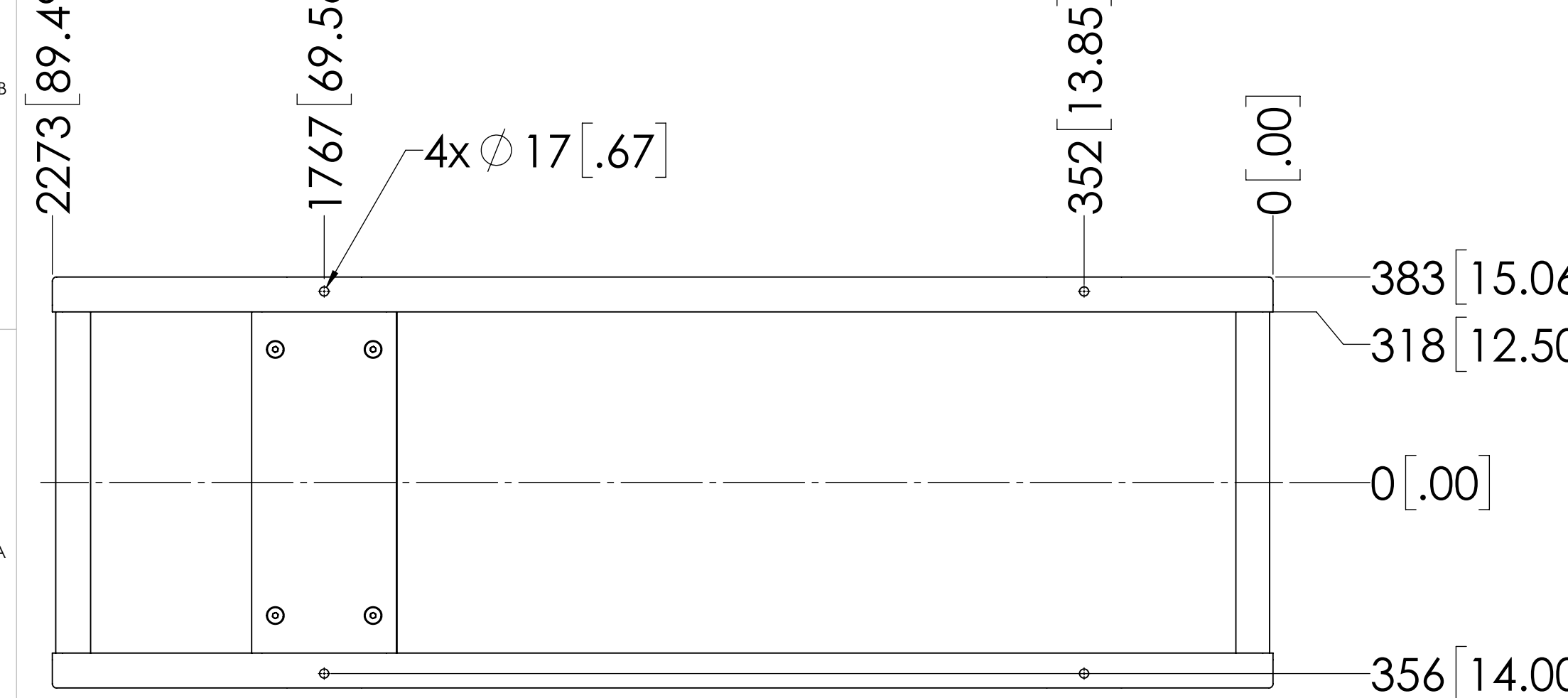
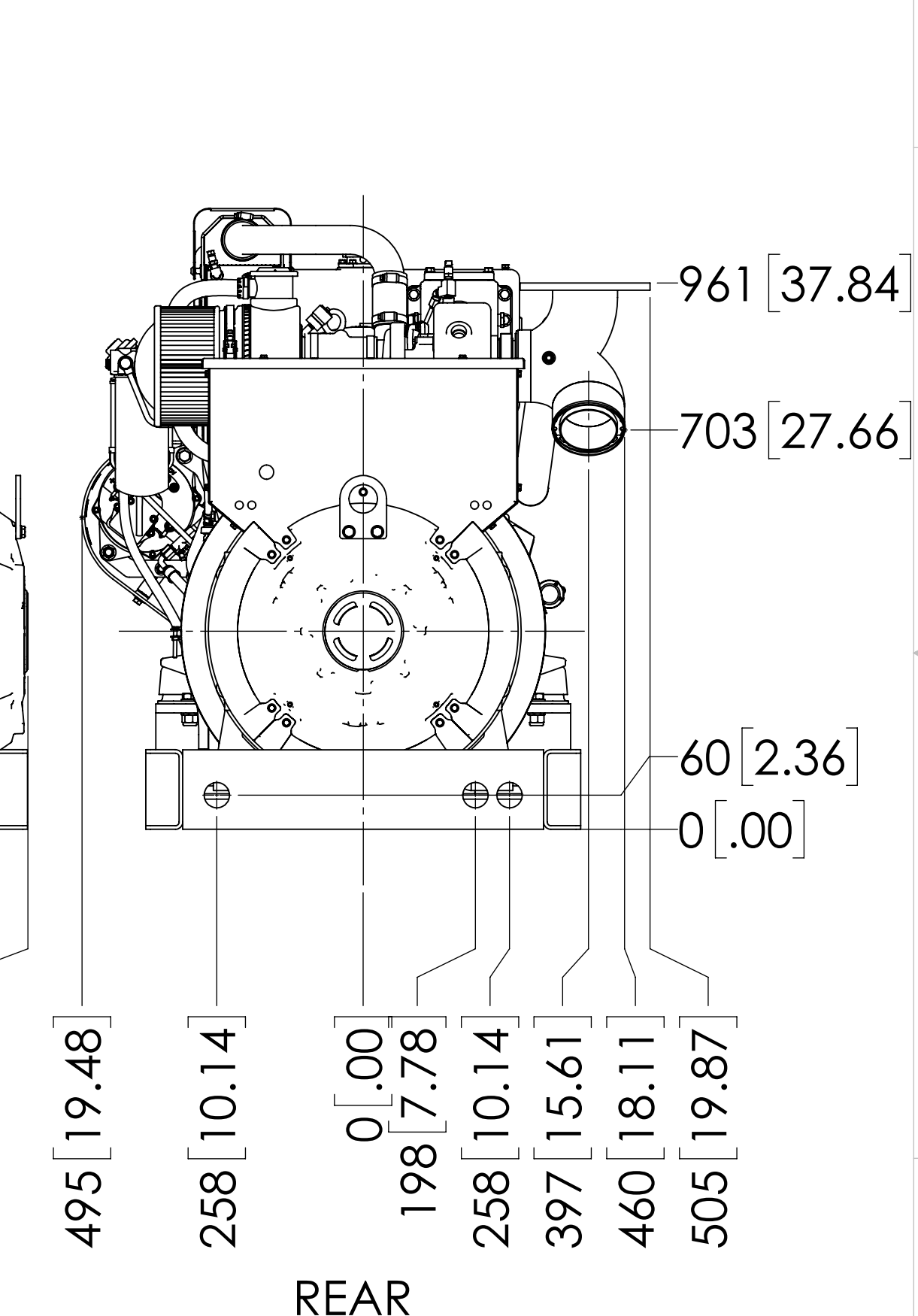
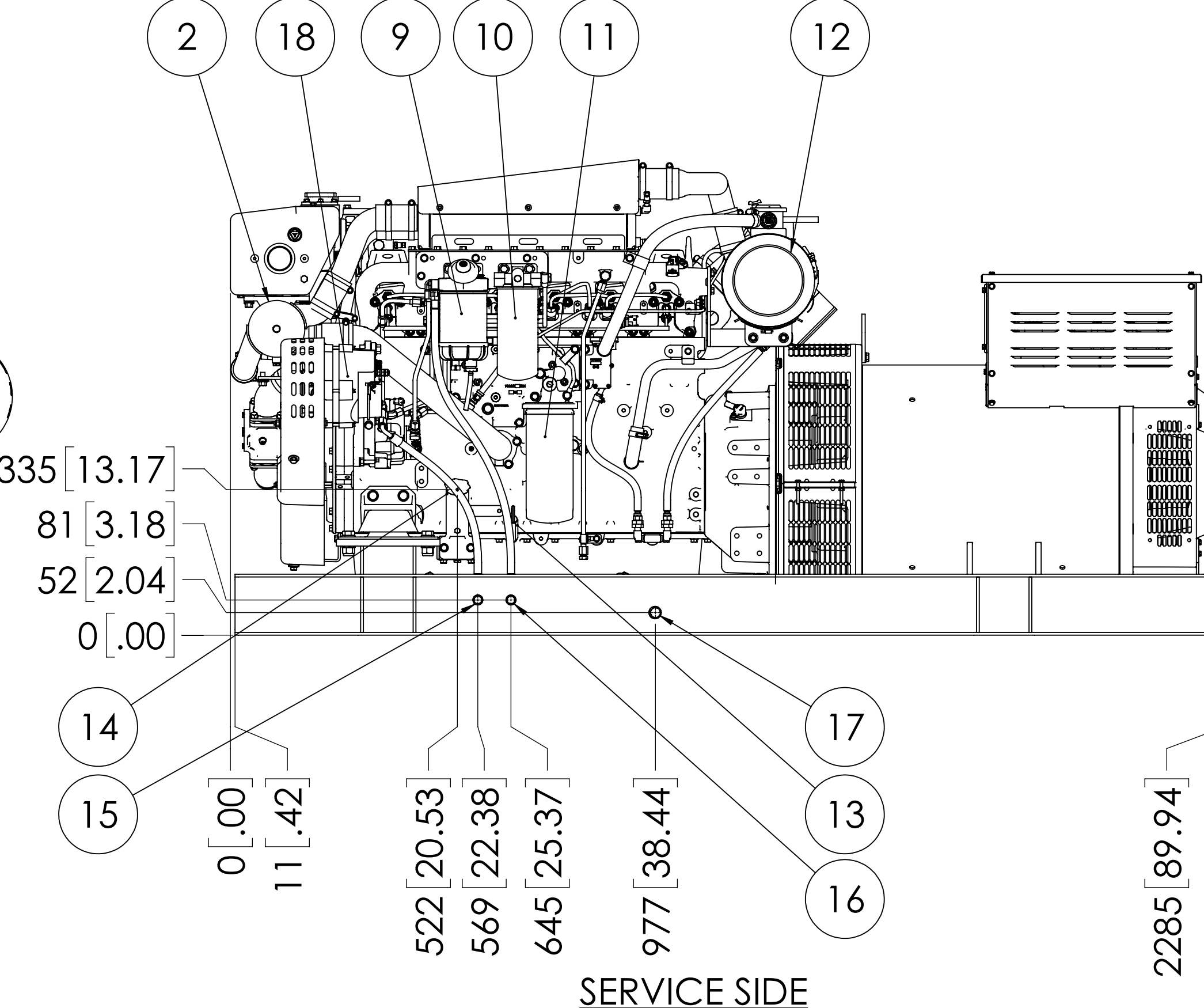
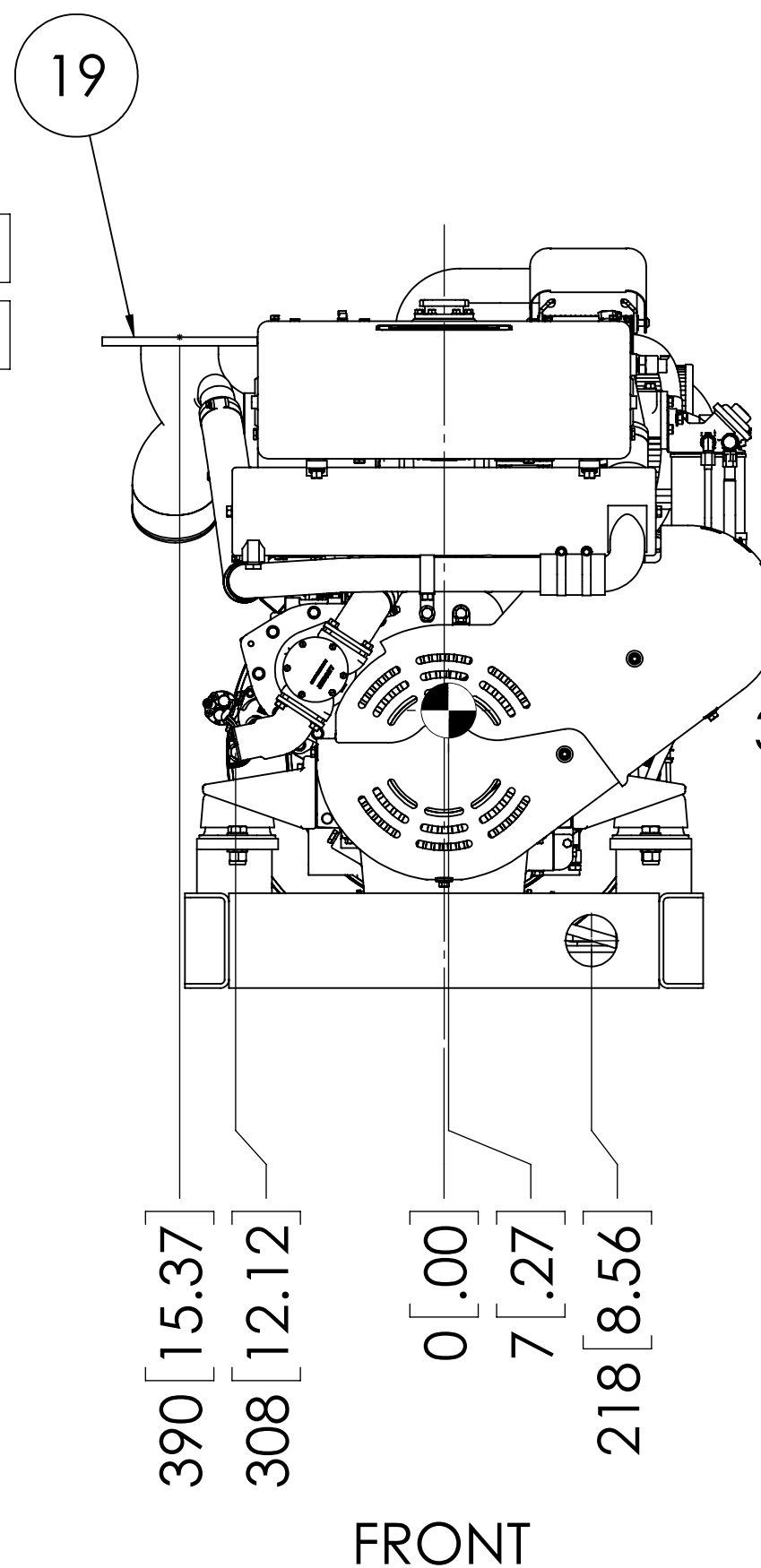
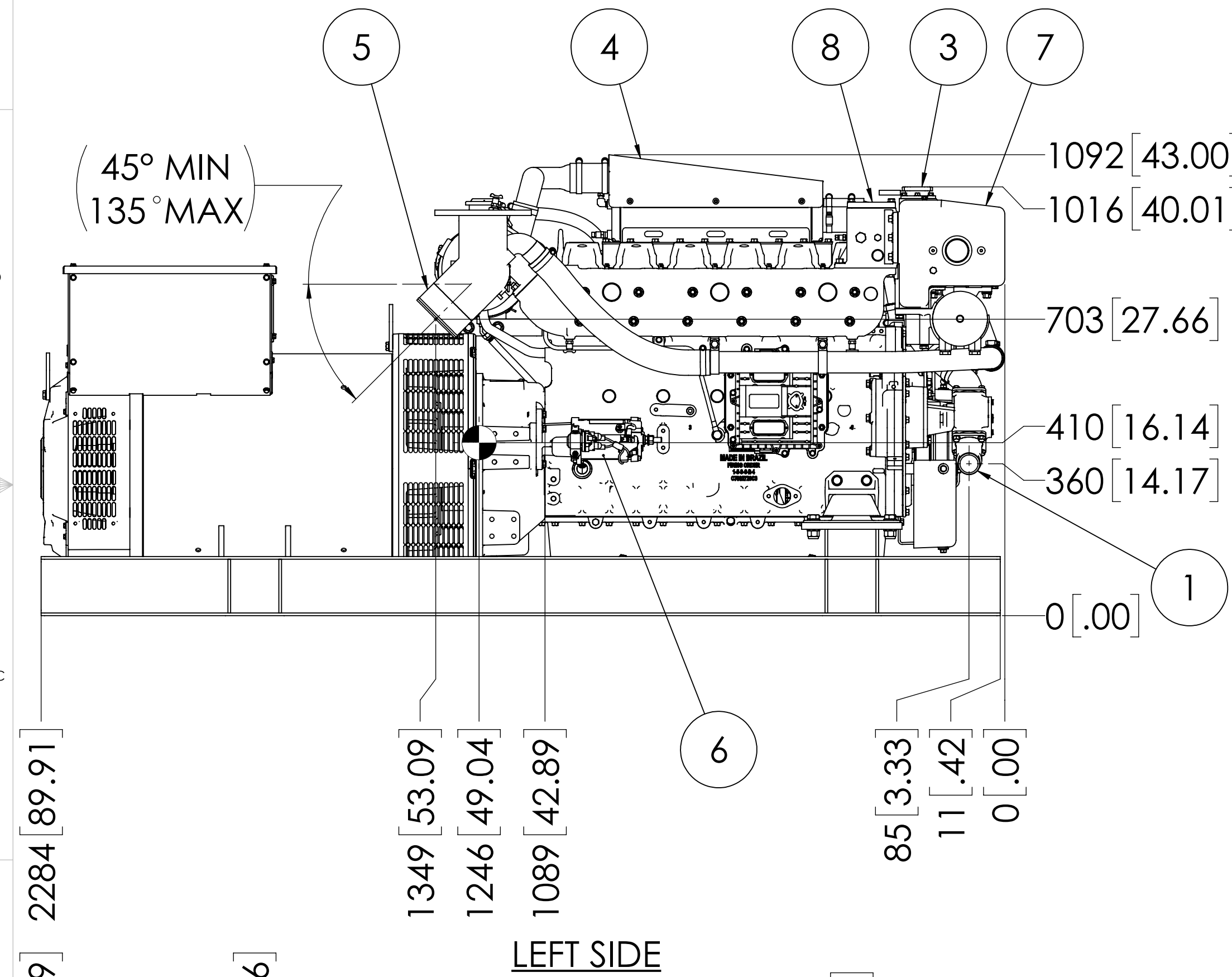
MODELS	DESCRIPTION	APPROX WT. LBS [KG]
M6105H1.1	245 KW.E @ 1800 RPM (60HZ), HEAT EXCHANGED	3999 [1814]

\*NOTE: WEIGHT INCLUDES OIL, BUT NO COOLANT. VALUES ARE APPROXIMATIONS AND ARE SUBJECT TO CHANGE. PLEASE CONTACT NLI TO BE SURE YOU HAVE THE LATEST REVISION.

ITEM	DESCRIPTION	ITEM	DESCRIPTION
1	SEA WATER INLET $\phi$ 51 [2.0] H.B.	14	ENGINE OIL FILL
2	HEAT EXCHANGER	15	FUEL RETURN PORT 3/8" NPT
3	COOLANT FILL	16	FUEL SUPPLY PORT 3/8" NPT
4	AFTERCOOLER	17	ENGINE OIL DRAIN PORT 1/2" NPT
5	WET EXHAUST ELBOW $\phi$ 127 [5.0]	18	ALTERNATOR
6	ELECTRIC STARTER MOTOR	19	OPTIONAL DRY EXHAUST ELBOW
7	EXPANSION TANK	20	
8	THERMOSTAT HOUSING	21	
9	FUEL/WATER SEPARATOR	22	
10	PRIMARY FUEL FILTER	23	
11	OIL FILTER	24	
12	AIR FILTER & COALESCING FILTER	25	
13	ENGINE OIL DIPSTICK	26	



DETAIL A  
OPTIONAL DRY EXHAUST FLANGE  
SCALE 1 : 4



UNLESS OTHERWISE SPECIFIED:  
DIMENSIONS ARE IN MILLIMETERS  
TOLERANCES:  
ANGULAR: MACH  $\pm$ 0.5° BEND  $\pm$ 1.0°  
X  $\pm$  0.5  
XX  $\pm$  0.3  
INTERPRET GEOMETRIC TOLERANCING PER ASME Y14.5M  
MATERIAL:  
FINISH:  
DO NOT SCALE

DRAWN: LTP 10/25/2023  
CHECKED:  
ENG APPR:  
MEG APPR:  
G.A.  
COMMENTS:

**NORTHERN LIGHTS**  
4420 14th AVE. N.W.  
Seattle, WA 98107  
(206) 789-3880  
www.northern-lights.com

TITLE: **INSTALLATION DIMENSIONS**  
**M6105H1.1**

SIZE: PART NO. **D M6105H1.1** DWG. NO. **D-5568** REV  
SCALE: 1:10 WEIGHT: SHEET 1 OF 1