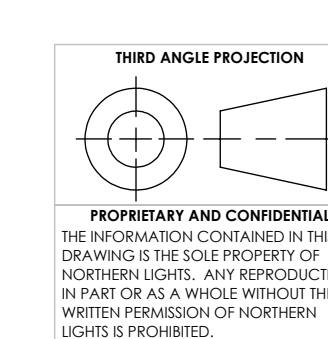
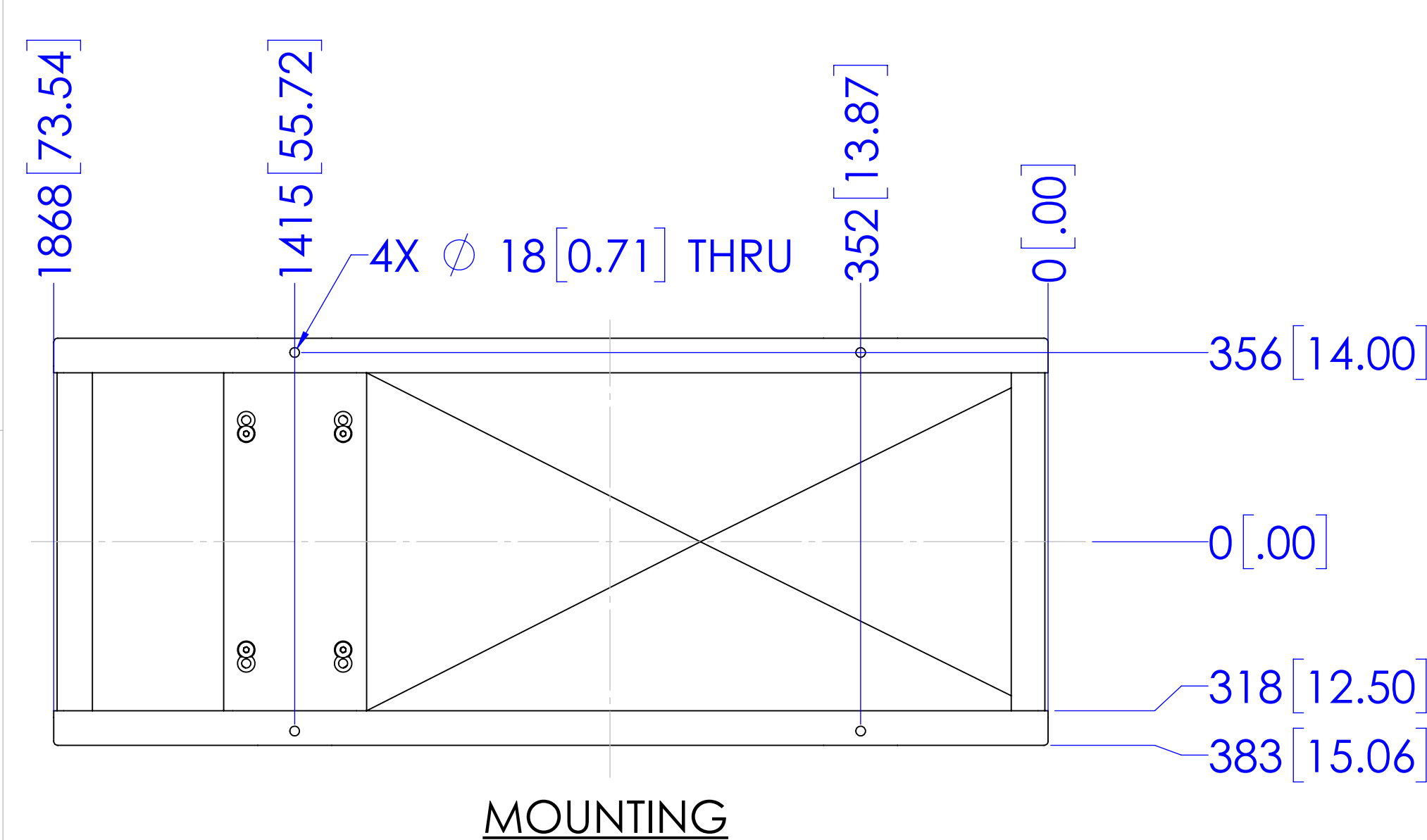
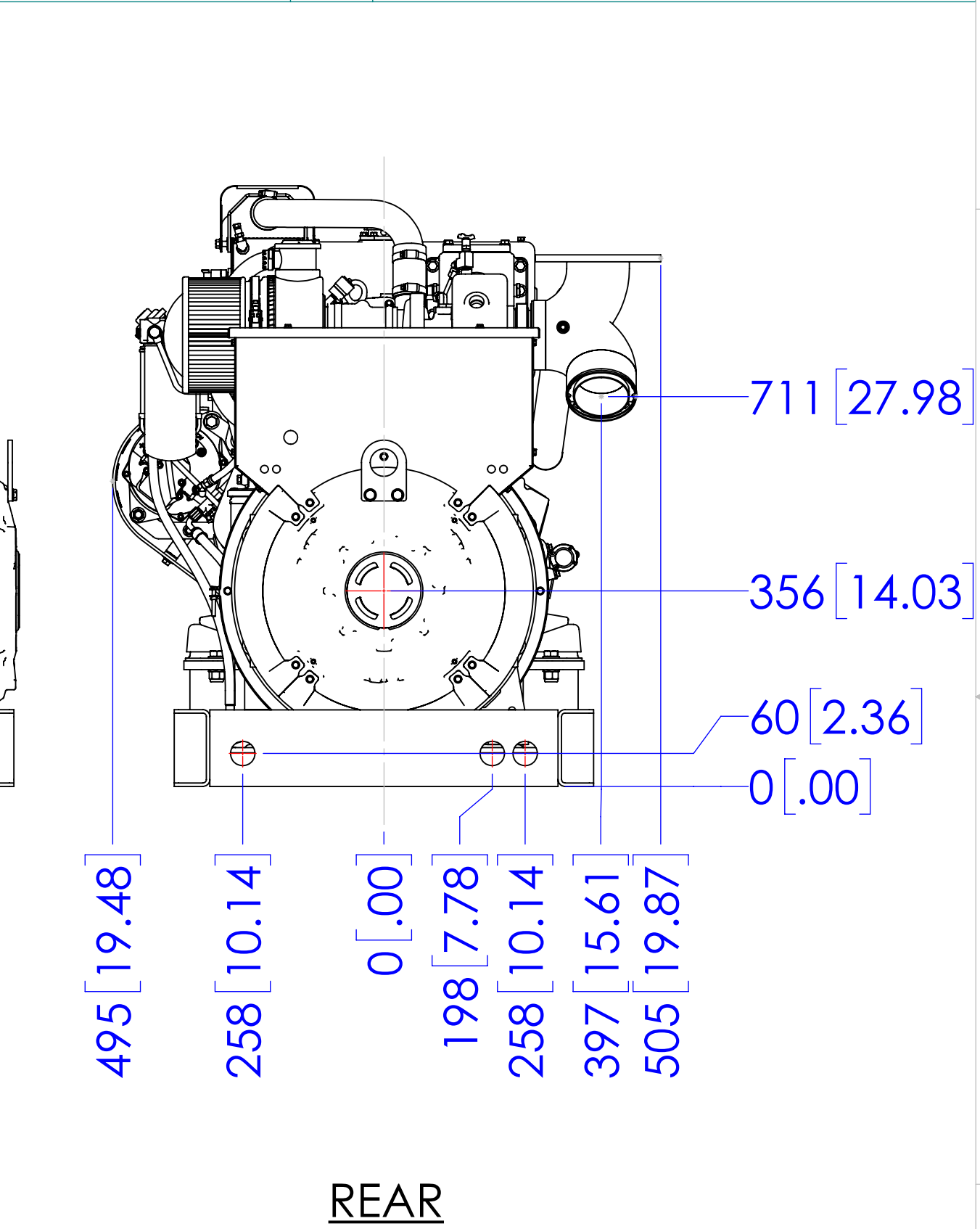
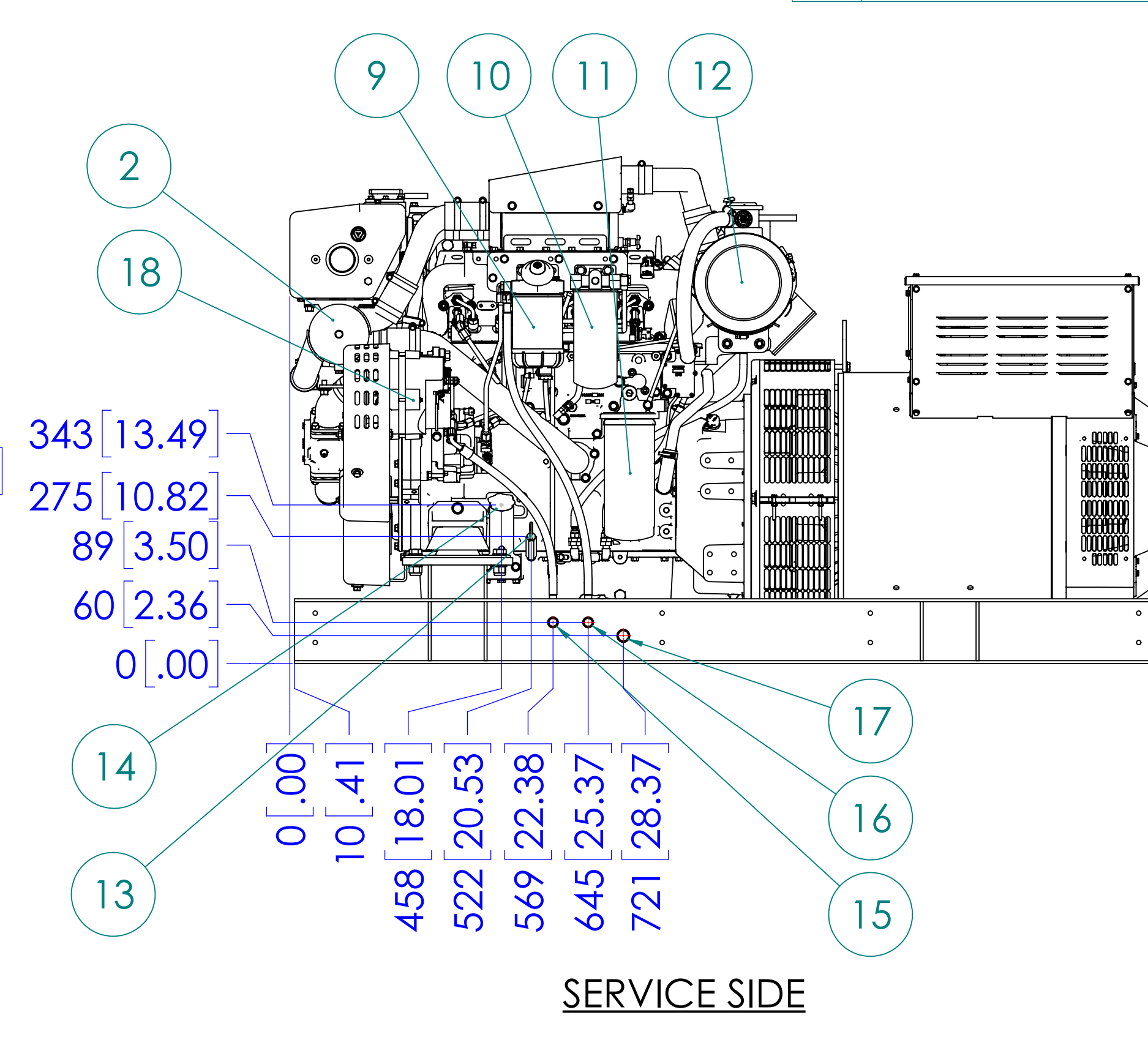
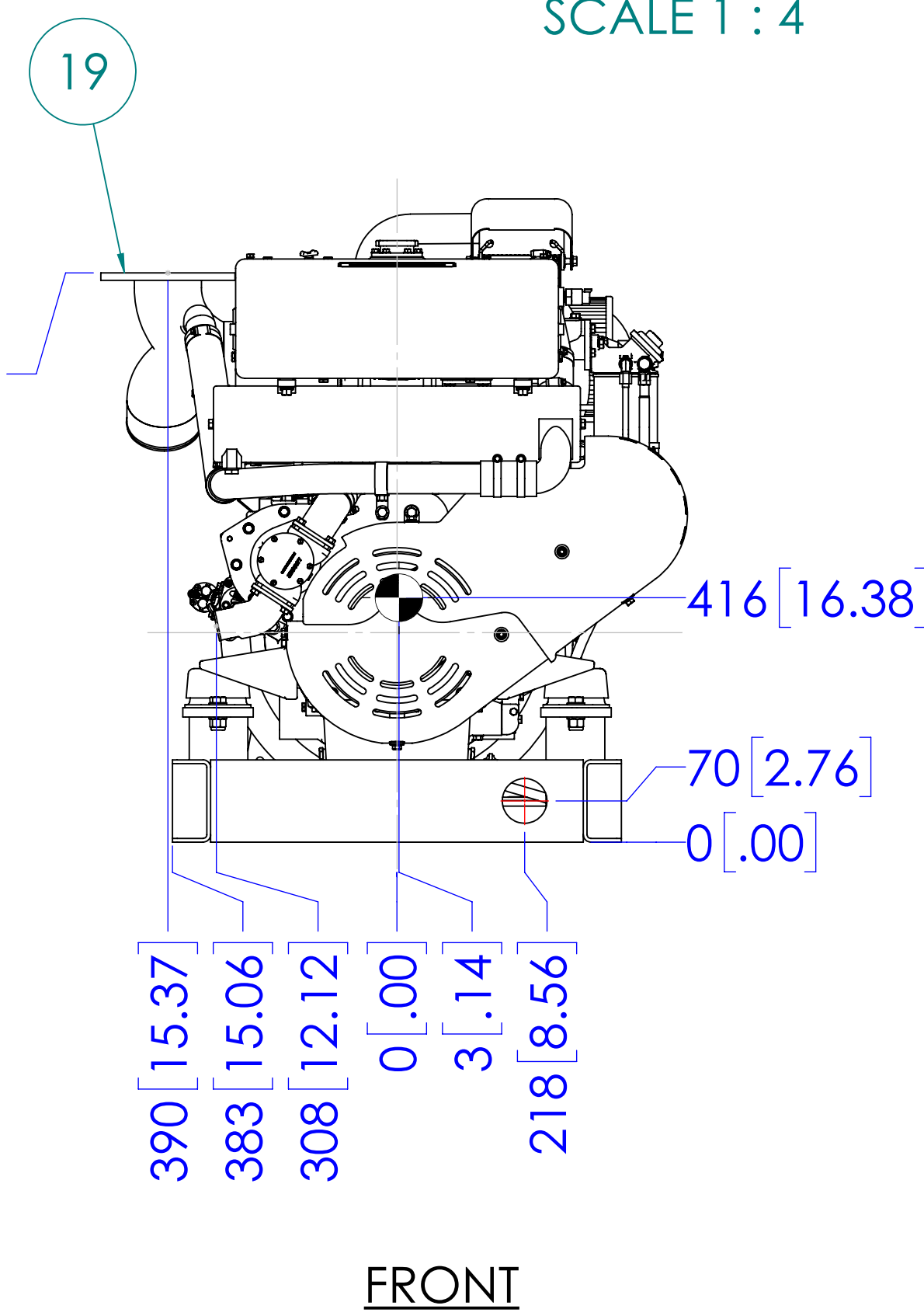
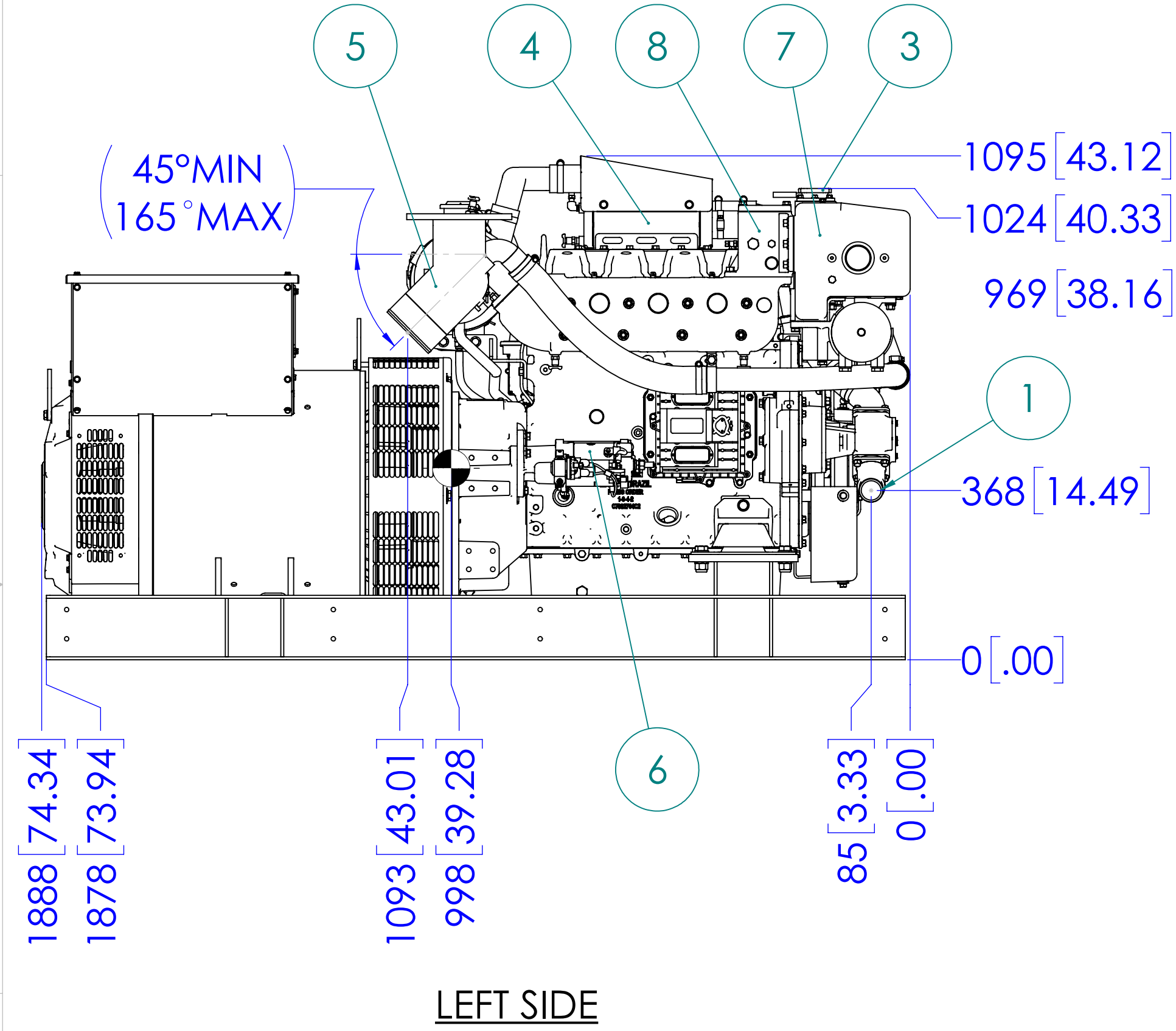
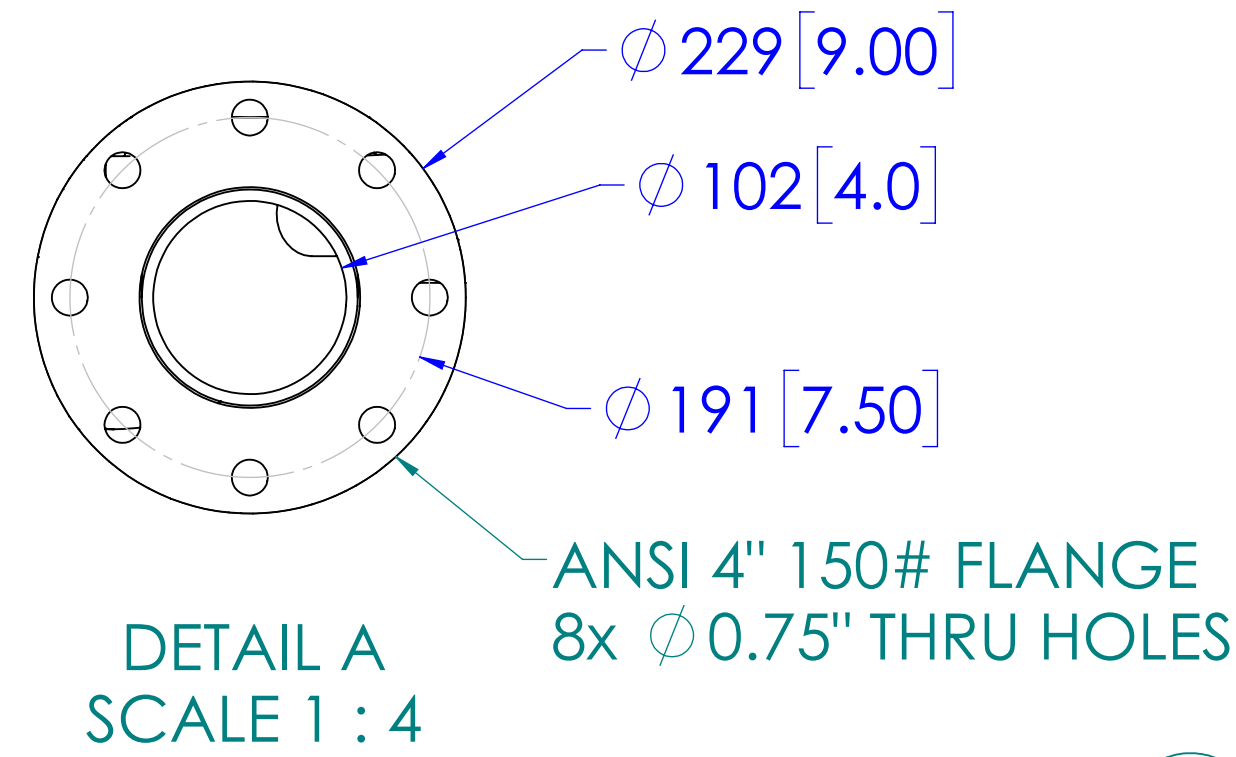
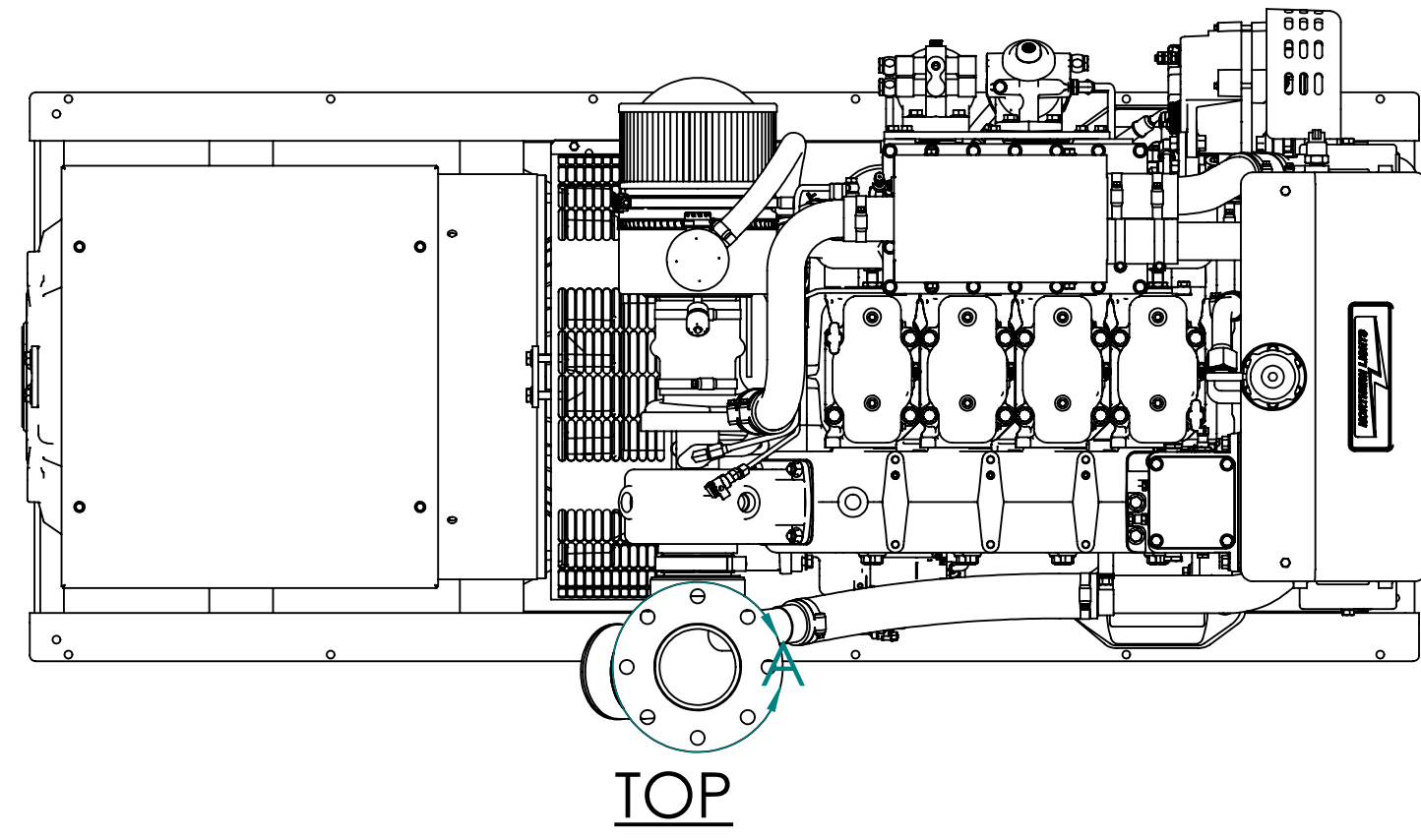


MODEL	DESCRIPTION	APPROX. WT. LBS [Kg]
M4105H1.1	160 KW. E @ 1800 RPM (60HZ), HEAT EXCHANGED	3150 [1429]

*NOTE: WEIGHT INCLUDES OIL, BUT NO COOLANT. VALUES ARE APPROXIMATIONS AND ARE SUBJECT TO CHANGE. PLEASE CONTACT NLI TO BE SURE YOU HAVE THE LATEST REVISION.

ITEM	DESCRIPTION	ITEM	DESCRIPTION
1	SEAWATER INLET Ø 2.0 H.B.	14	ENGINE OIL FILL
2	HEAT EXCHANGER	15	FUEL RETURN PORT (3/8" NPT)
3	COOLANT FILL	16	FUEL SUPPLY PORT (3/8" NPT)
4	AFTERCOOLER	17	OIL DRAIN PORT (1/2" NPT)
5	OPTIONAL WET EXHAUST ELBOW	18	ALTERNATOR
6	ELECTRIC STARTER MOTOR	19	OPTIONAL DRY EXHAUST ELBOW
7	EXPANSION TANK	20	
8	THERMOSTAT HOUSING	21	
9	FUEL/WATER SEPERATOR	22	
10	PRIMARY FUEL FILTER	23	
11	OIL FILTER	24	
12	AIR FILTER & COALESCING FILTER	25	
13	ENGINE OIL DIPSTICK	26	



UNLESS OTHERWISE SPECIFIED: DIMENSIONS ARE IN MILLIMETERS TOLERANCES: ANGULAR: MACH ± 0.5° BEND ± 1.0° X ± 0.5 XX ± 0.3		NAME: JPW DATE: 7/18/2024	<p>4420 14th AVE. N.W. Seattle, WA 98107 (206) 789-3880 www.northern-lights.com</p>
<p>PROPRIETARY AND CONFIDENTIAL THE INFORMATION CONTAINED IN THIS DRAWING IS THE SOLE PROPERTY OF NORTHERN LIGHTS. ANY REPRODUCTION IN PART OR AS A WHOLE WITHOUT THE WRITTEN PERMISSION OF NORTHERN LIGHTS IS PROHIBITED.</p>		<p>CHECKED: [] ENG APPR: [] MEG APPR: [] Q.A.: [] COMMENTS: []</p>	
<p>INTERPRET GEOMETRIC TOLERANCING PER: ASME Y14.5M</p>		<p>TITLE: INSTALLATION DIMENSIONS M4105H1.1, 60HZ, LSA 46.3 S4</p>	
<p>FINISH: [] DO NOT SCALE</p>		<p>SIZE: D PART NO: SEE TABLE SCALE: 1:10</p>	<p>DWG. NO: D-5567 WEIGHT: [] SHEET 1 OF 1</p>