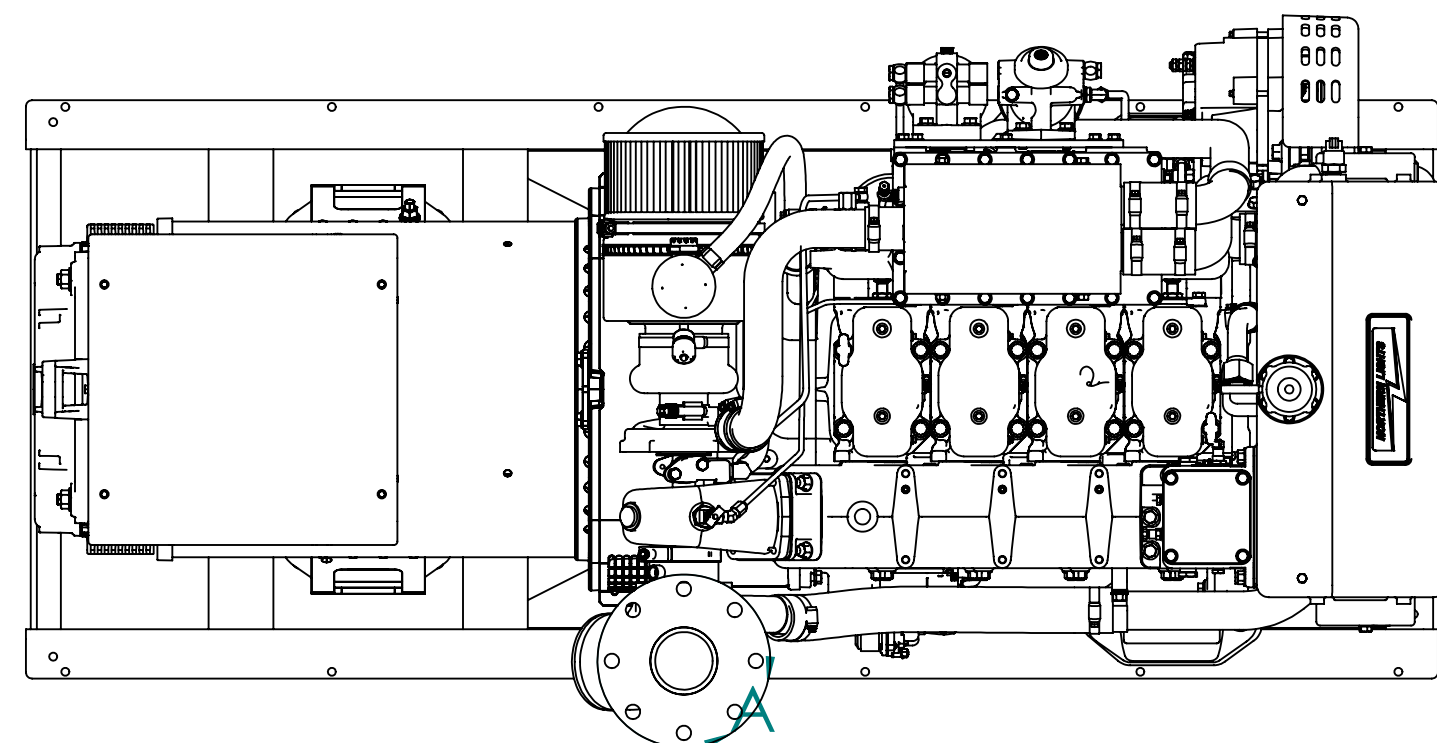


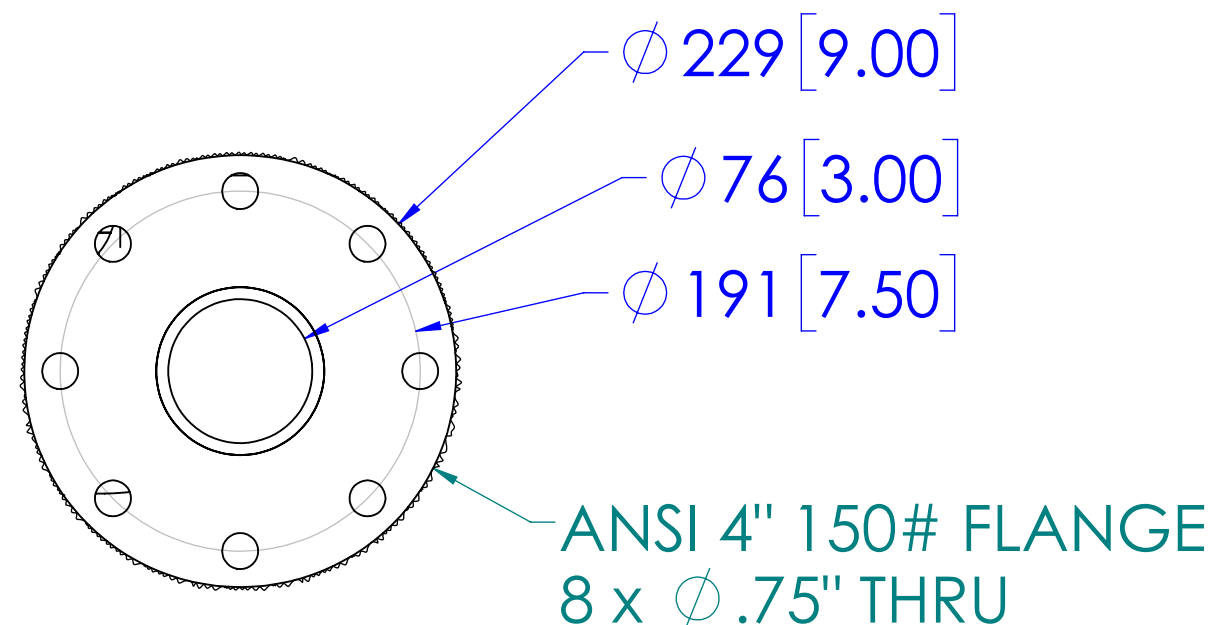
MODEL	DESCRIPTION	APPRX. WT. LBS [KG]
M4105A4.5	127KW.E @ 1500RPM (50Hz), HEAT EXCHANGED	2888 [1310]

NOTE: WEIGHT INCLUDES OIL, BUT NO COOLANT. VALUES ARE APPROXIMATIONS AND ARE SUBJECT TO CHANGE. PLEASE CONTACT NLI TO BE SURE YOU HAVE THE LATEST REVISION.

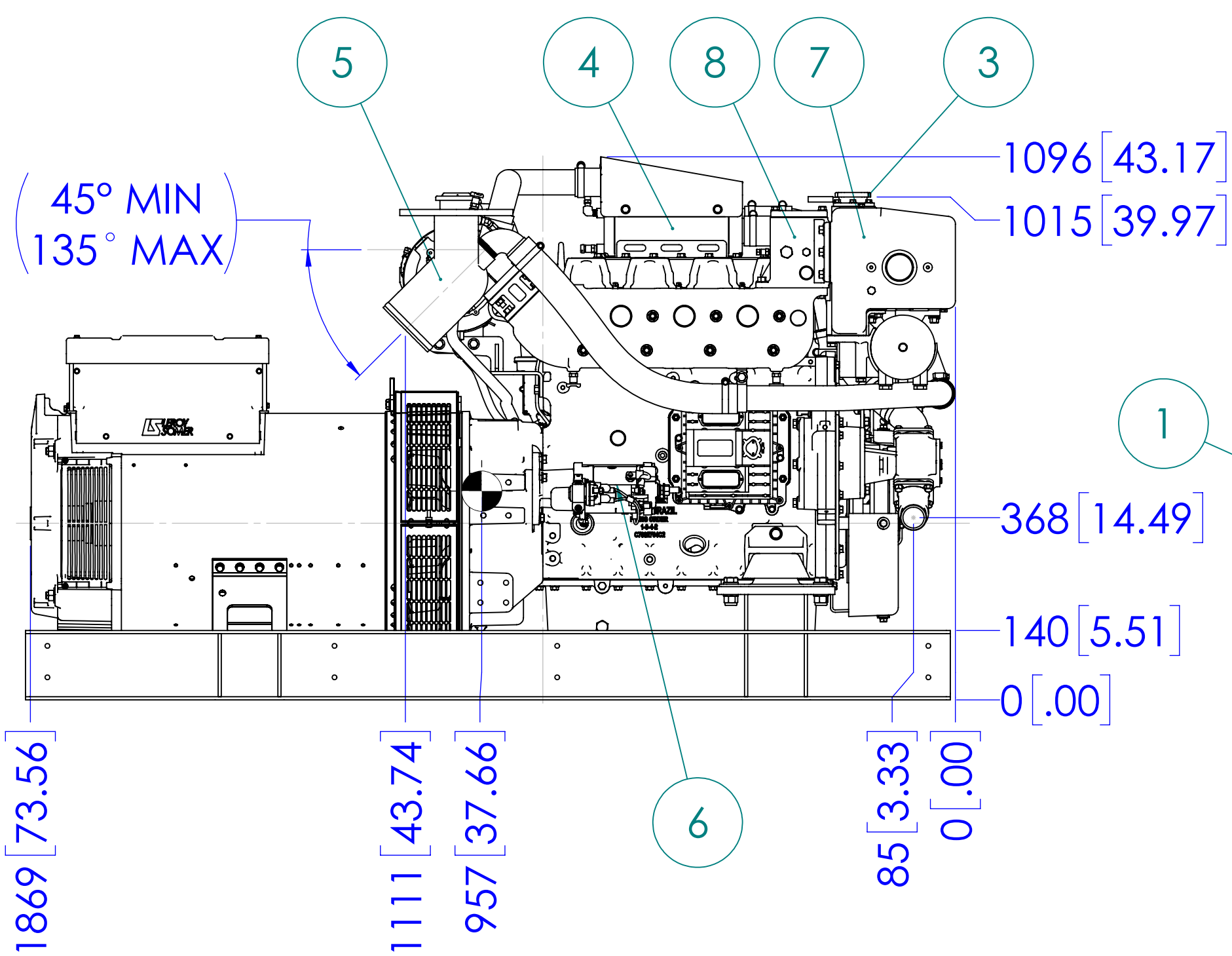
ITEM	DESCRIPTION	ITEM	DESCRIPTION
1	SEAWATER INLET (Ø 2.0 H.B.)	14	ENGINE OIL FILL
2	HEAT EXCHANGER	15	FUEL RETURN PORT (3/8" NPT)
3	COOLANT FILL	16	FUEL SUPPLY PORT (3/8" NPT)
4	AFTERCOOLER	17	OIL DRAIN PORT (1/2" NPT)
5	OPTIONAL WET EXHAUST ELBOW (Ø 5" H.B)	18	ALTERNATOR
6	ELECTRIC STARTER MOTOR (12V STD/ 24V OPT)	19	
7	EXPANSION TANK	20	
8	THERMOSTAT HOUSING	21	
9	FUEL/WATER SEPERATOR	22	
10	PRIMARY FUEL FILTER	23	
11	OIL FILTER	24	
12	AIR FILTER & COALESCING FILTER	25	
13	ENGINE OIL DIPSTICK	26	



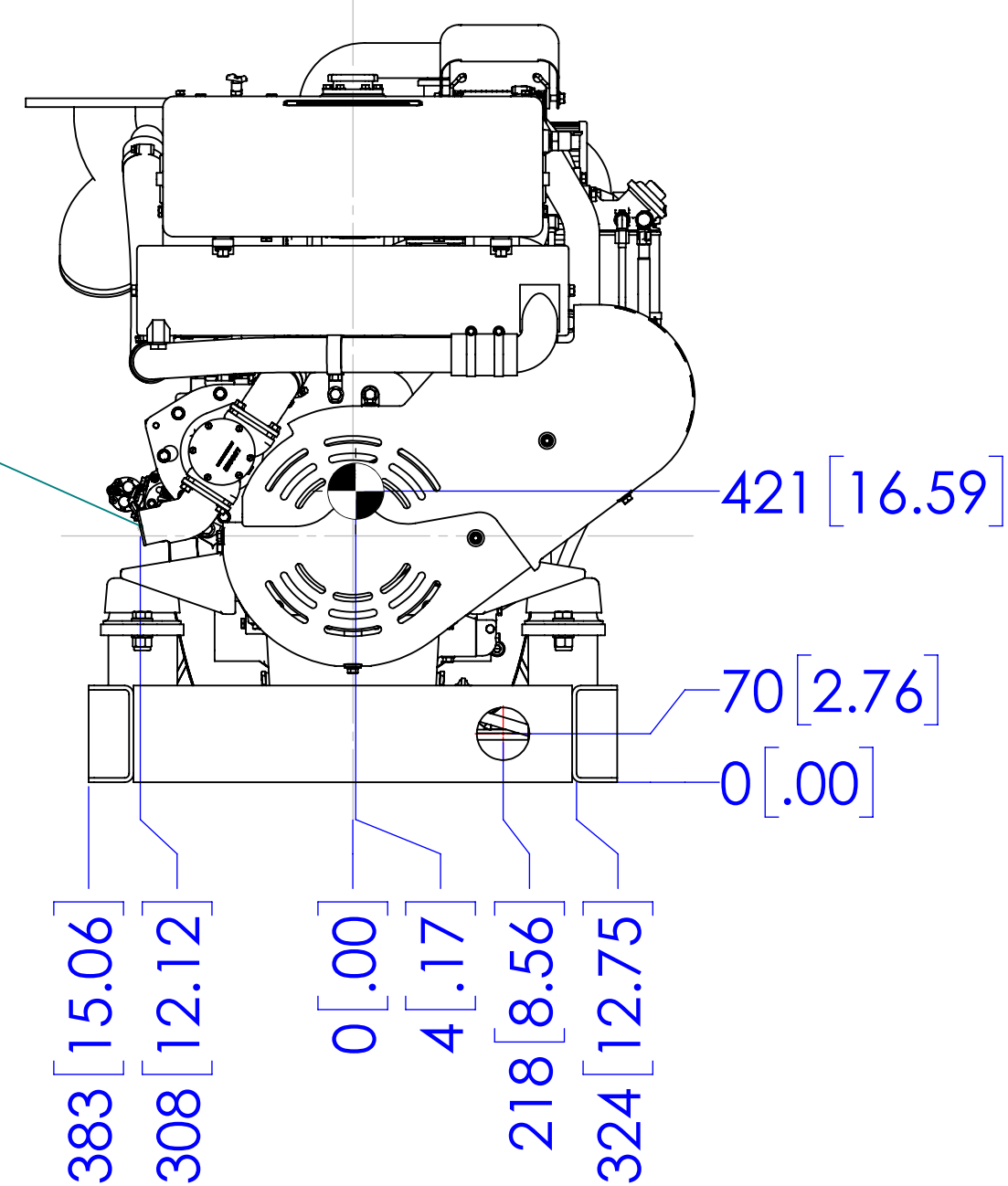
TOP



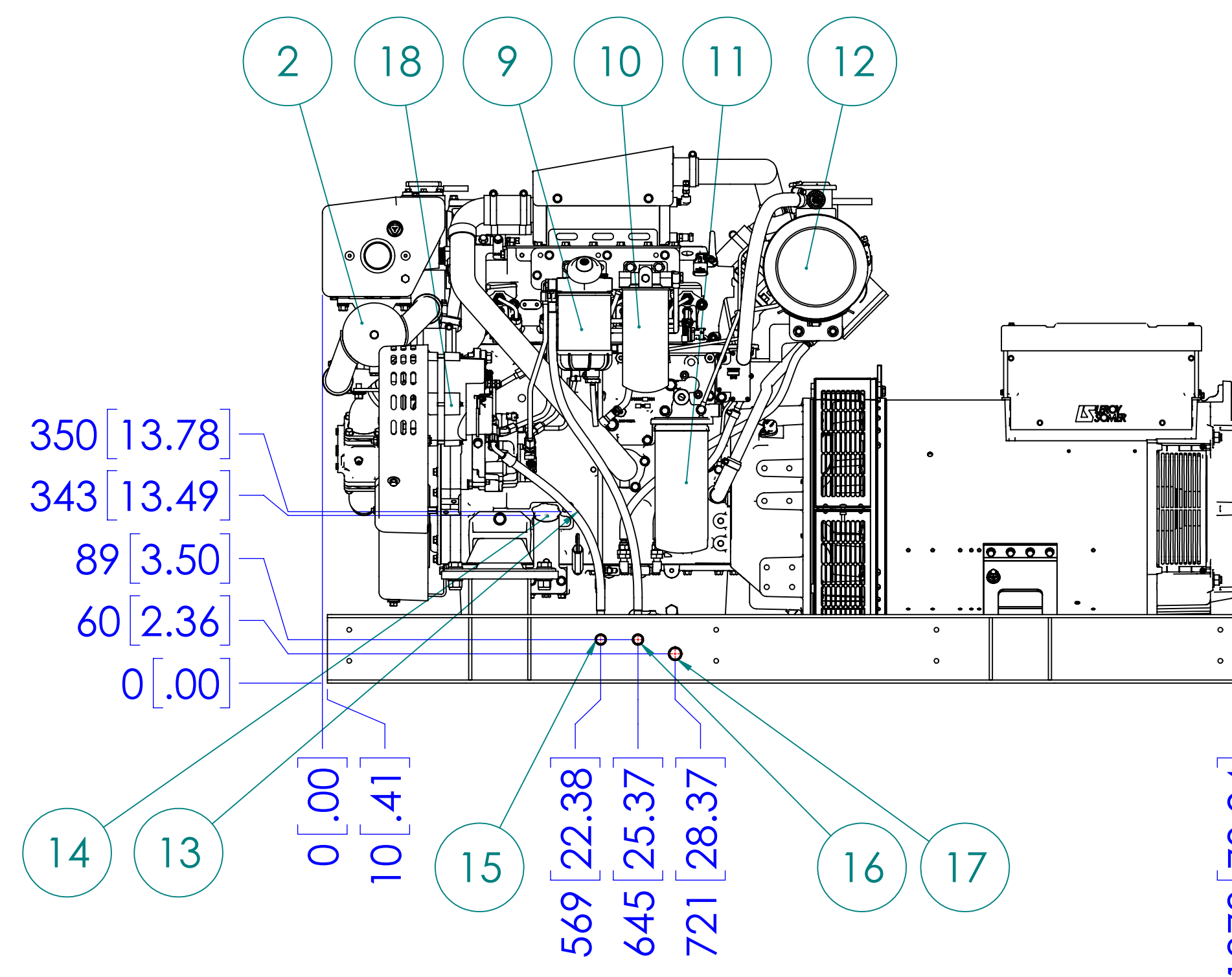
DETAIL A
OPTIONAL DRY EXHAUST FLANGE
SCALE 1 : 4



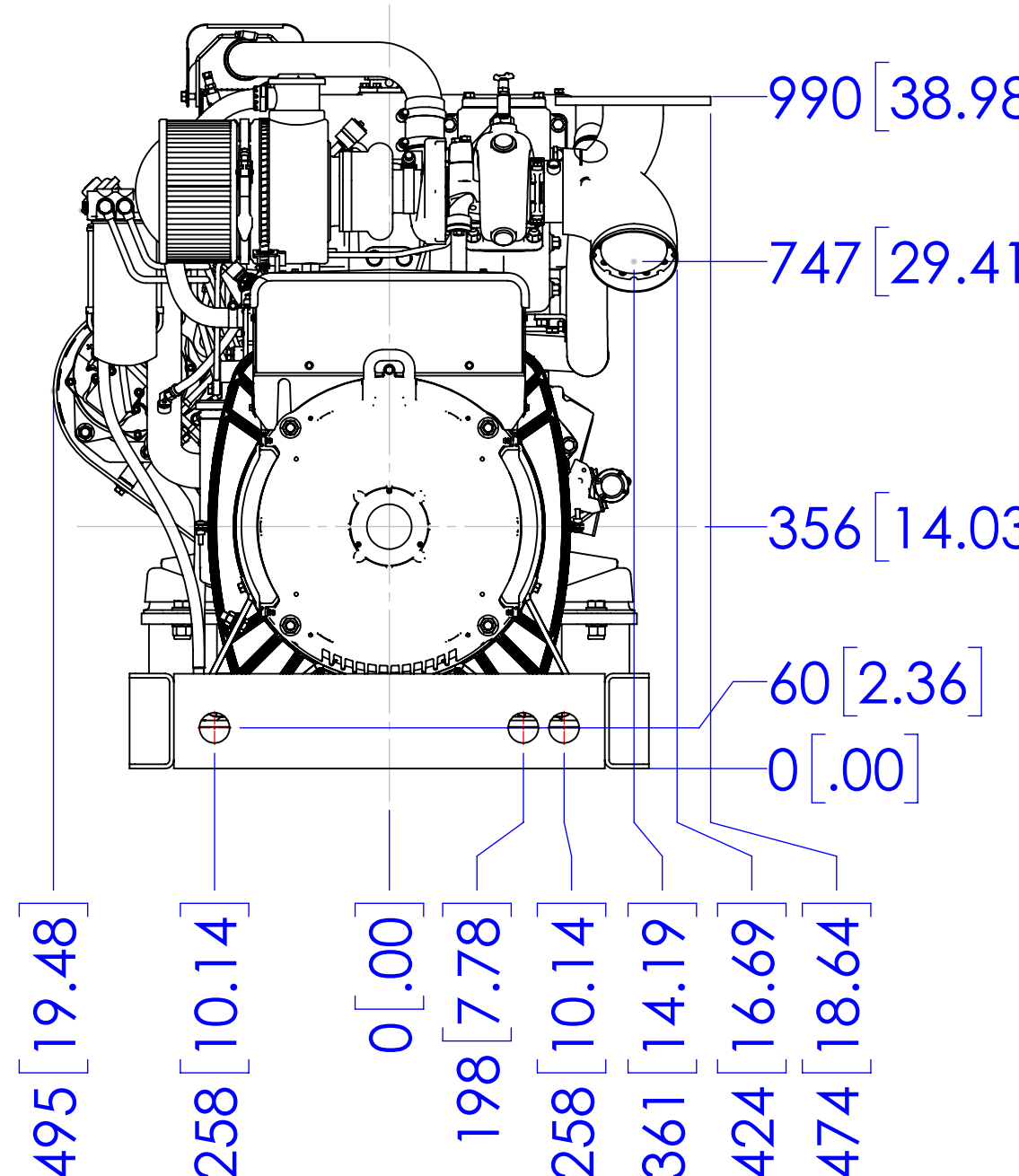
LEFT SIDE



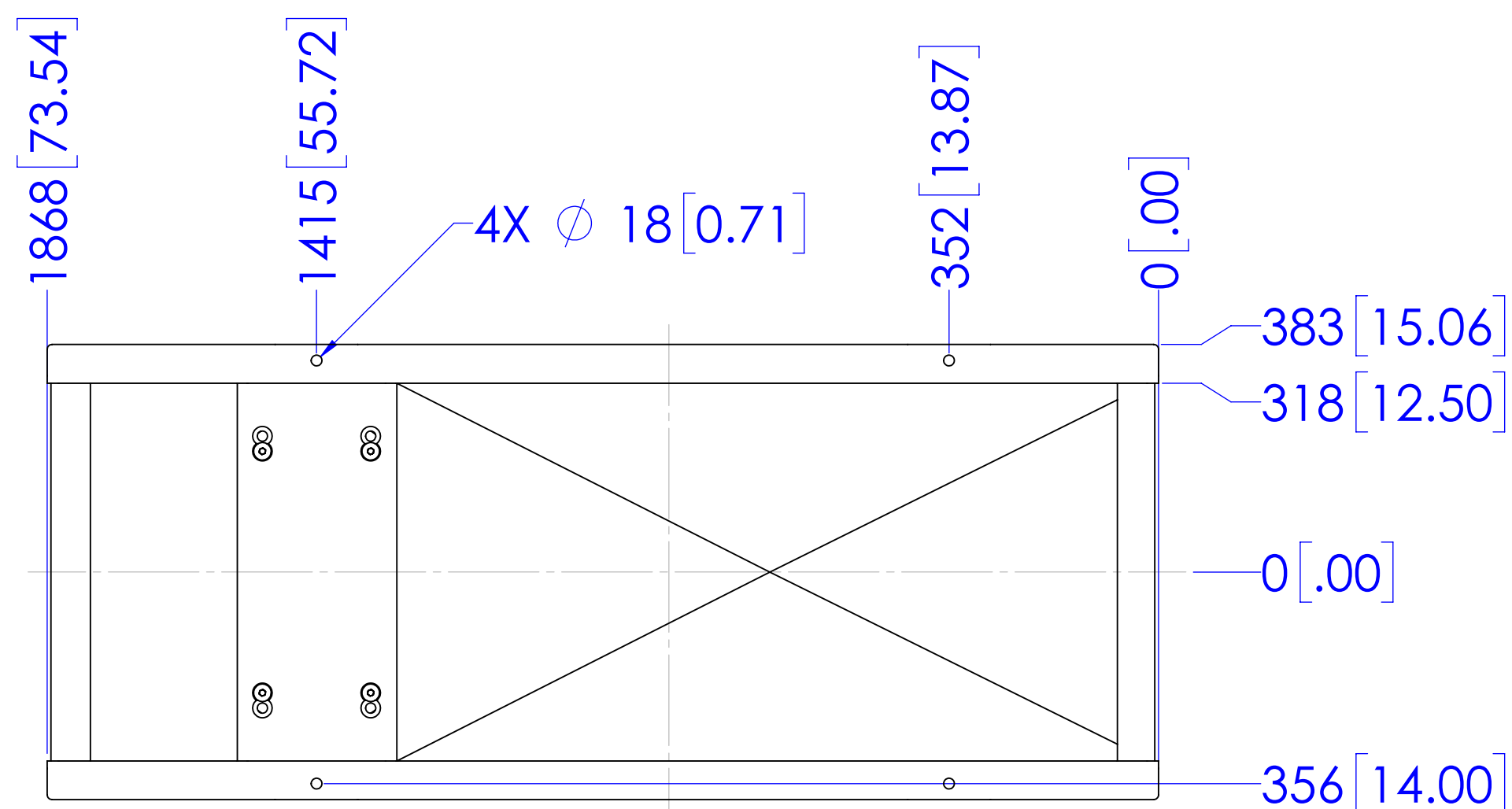
FRONT



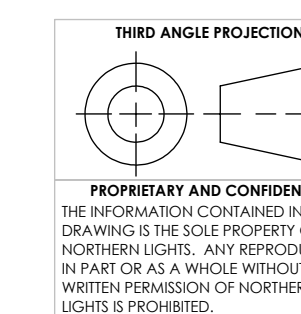
SERVICE SIDE



REAR



MOUNTING



PROPRIETARY AND CONFIDENTIAL
THE INFORMATION CONTAINED IN THIS DRAWING IS THE SOLE PROPERTY OF NORTHERN LIGHTS. ANY REPRODUCTION IN PART OR AS A WHOLE WITHOUT THE WRITTEN PERMISSION OF NORTHERN LIGHTS IS PROHIBITED.

UNLESS OTHERWISE SPECIFIED: DIMENSIONS ARE IN MILLIMETERS TOLERANCES: ANGULAR: MACH ± 0.5° BEND ± 1.0° .X ± 0.5 .XX ± 0.3	DRAWN: JPW 7/3/2024	NAME: J.P. WILSON DATE: 7/3/2024
INTERPRET GEOMETRIC TOLERANCING PER: ASME Y14.5M	CHECKED: MEG APPR. G.A.	COMMENTS:
FINISH: DO NOT SCALE		

NORTHERN LIGHTS
4420 14th AVE. N.W.
Seattle, WA 98107
(206) 789-3880
www.northern-lights.com

TITLE: INSTALLATION DIMENSIONS M4105A4.5, 50HZ 3PH LSA 44.3 VL14			
SIZE: D	PART NO: M4105A4	DWG. NO: D-5611	REV
SCALE: 1:10	WEIGHT: SEE TABLE	SHEET 1 OF 1	