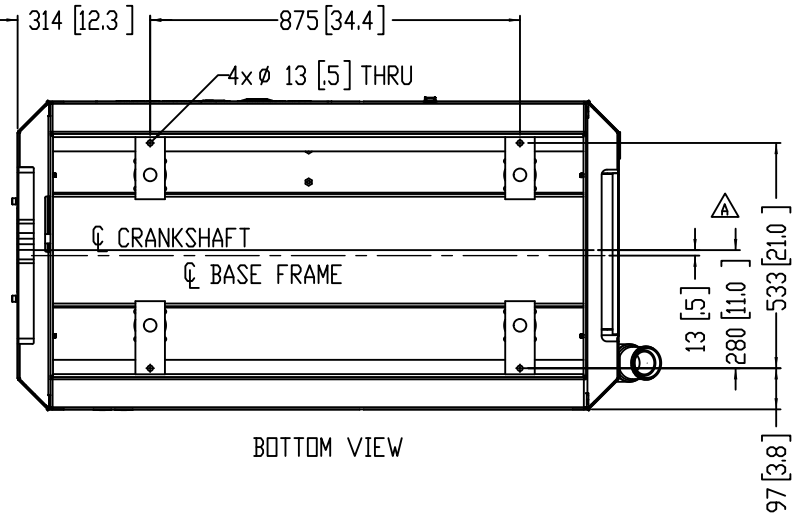
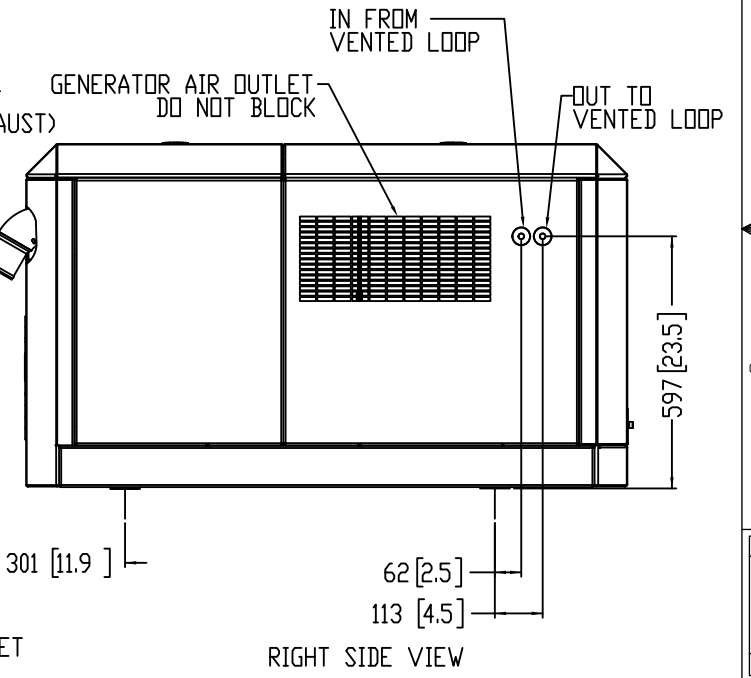
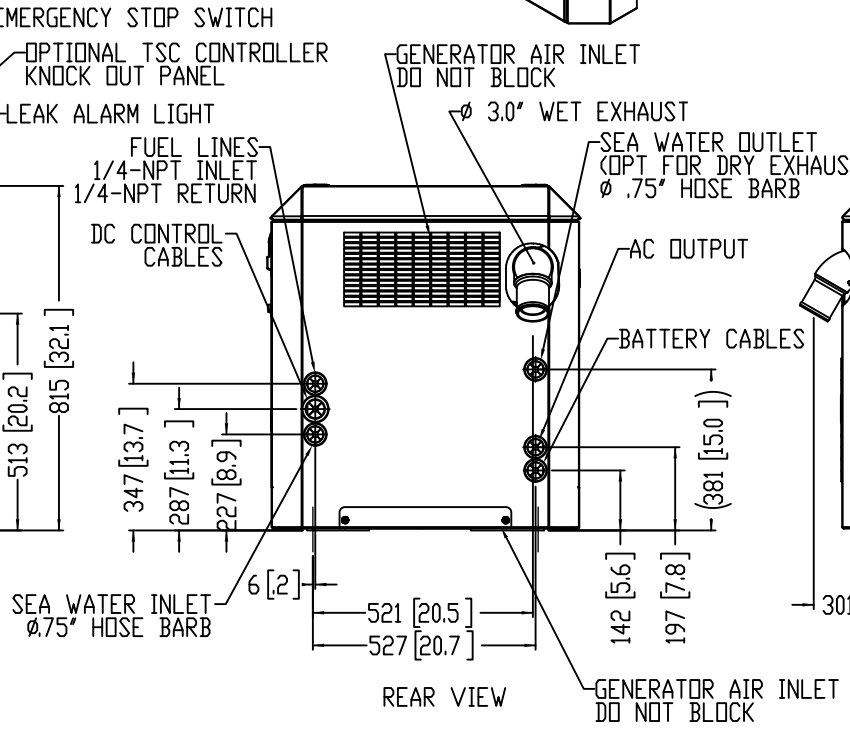
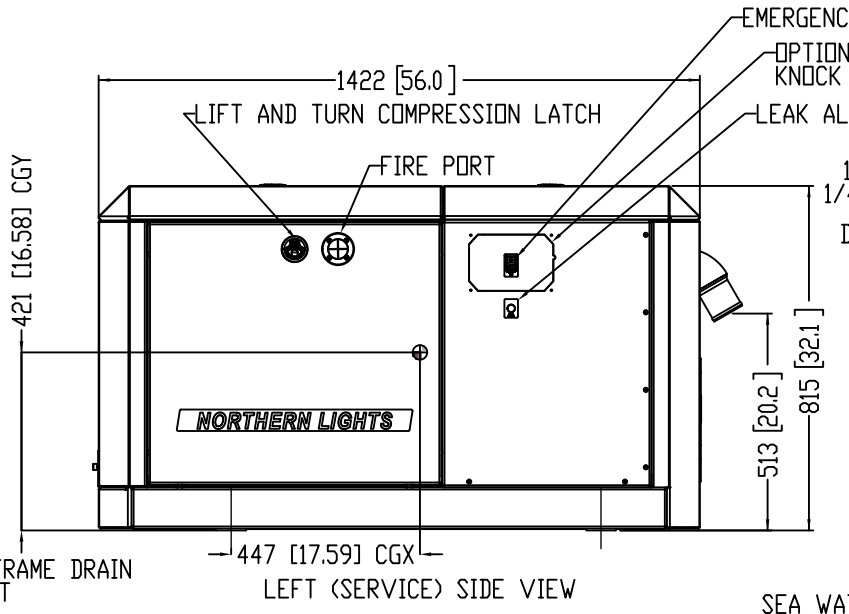
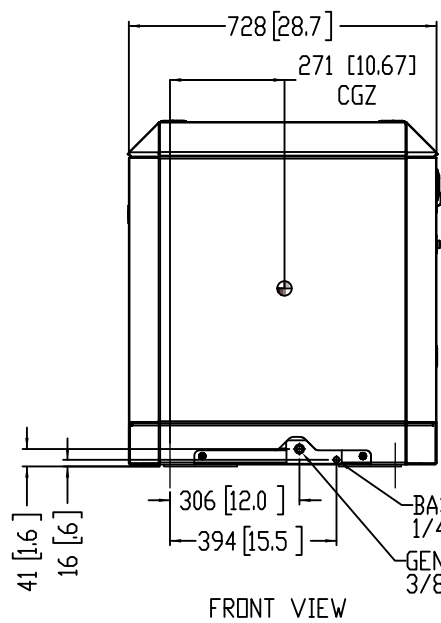
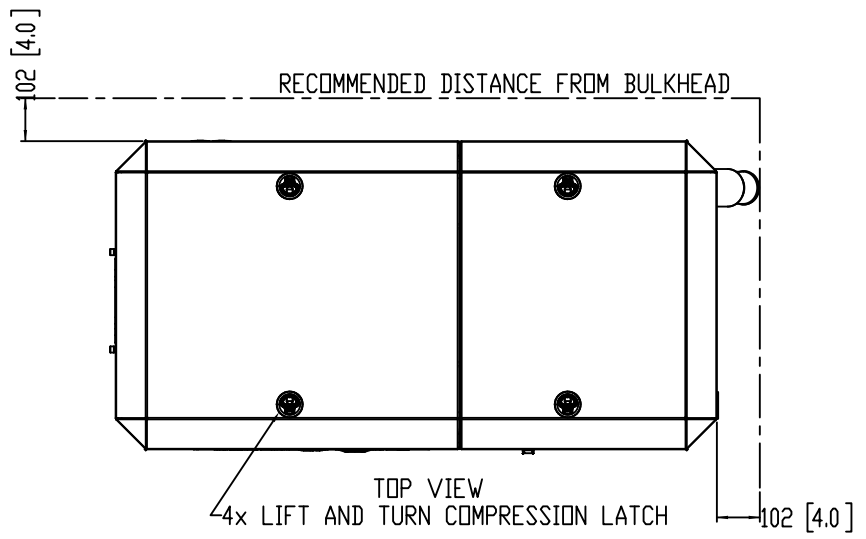
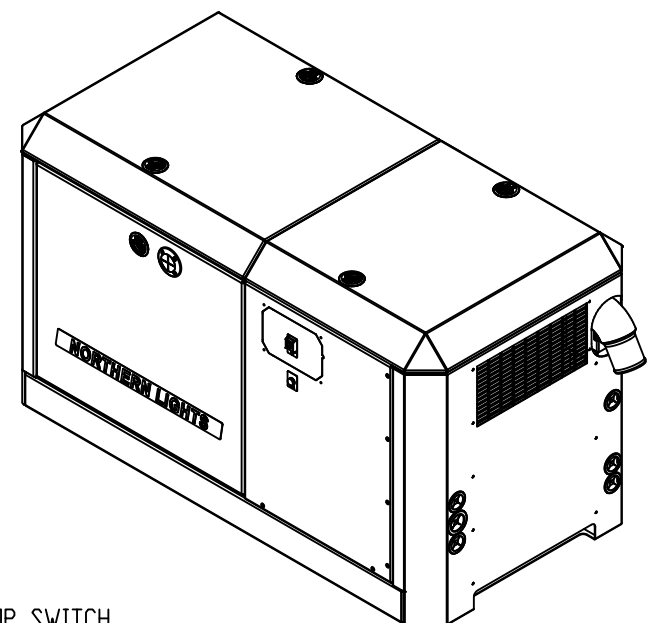


NOTE: CG SHOWN SHIELD ONLY

WEIGHT W/O GENSET 41 kg (91 LBS)	WEIGHT W/ GENSET 644 kg (1420 LBS)
APPLIES TO MODELS M944W3FG1 M944W3FG3	



REV.	DESCRIPTION	DATE	BY	CHECKED
C	ECHIBUS INCORRECT PTD KIT REPLACED BY HEAVY DUTY VERSION PTD KIT	6/17/2022	LTP	
B	ECHIBUS ADDED PAGE TWO, OPTIONS PAGE PTD	6/17/2022	LTP	
A	UPDATE BASE FRAME WITH 15MM OFFSET, ADD ISOMETRIC VIEW AND APPLICATION TABLE, ECHIBUS 7052	3/7/2022	MK	LTP

UNLESS OTHERWISE SPECIFIED DIMENSIONS ARE IN MILLIMETERS TOLERANCES: ANGULAR: FINISH: INTERPRET GEOMETRIC TOLERANCING PER ASME Y14.5M

THIRD ANGLE PROJECTION

PROPRIETARY AND CONFIDENTIAL THE INFORMATION CONTAINED IN THIS DRAWING IS THE SOLE PROPERTY OF NORTHERN LIGHTS. ANY REPRODUCTION IN PART OR AS A WHOLE WITHOUT THE WRITTEN PERMISSION OF NORTHERN LIGHTS IS PROHIBITED.

DO NOT SCALE

4420 14th AVE. N.W. Seattle, WA 98107 (206) 789-3880 www.northern-lights.com

TITLE: INSTALLATION DIMENSIONS M944W3F GEM SOUND SHIELD

SIZE: PART NO. D 06-01250 DWG. NO. D-5201 REV C

SCALE: 1:8 WEIGHT: SHEET 1 OF 2