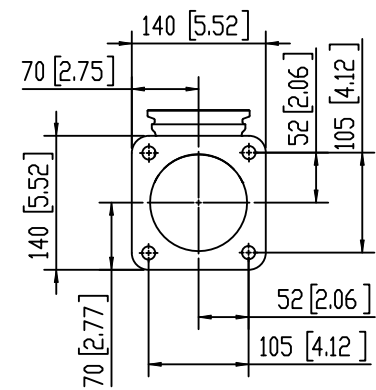
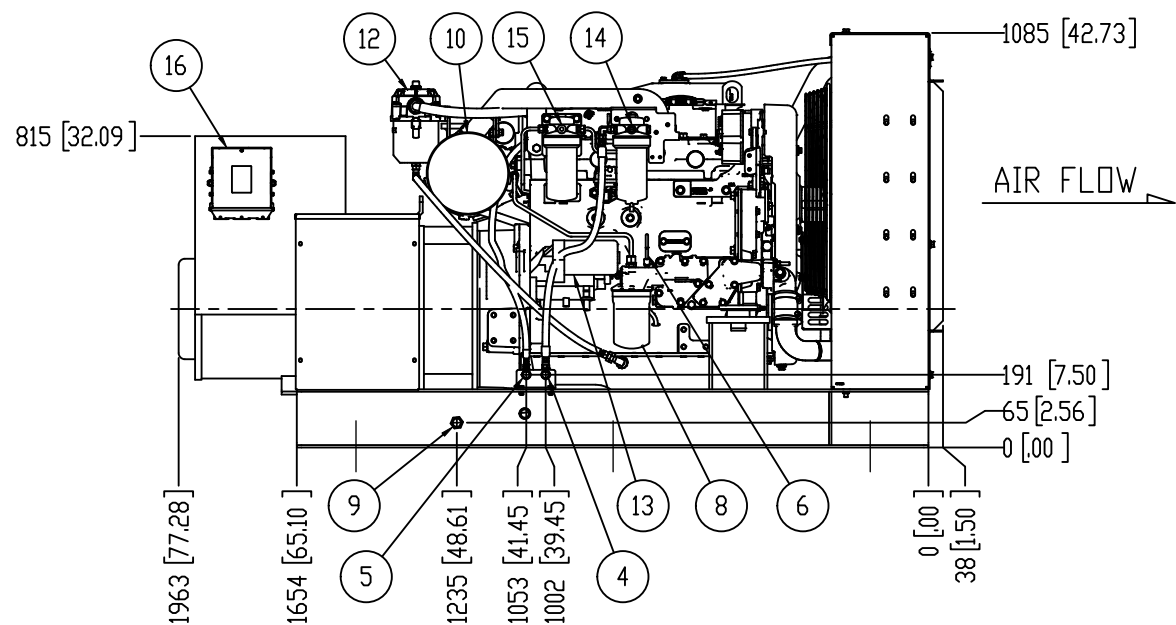


PLAN

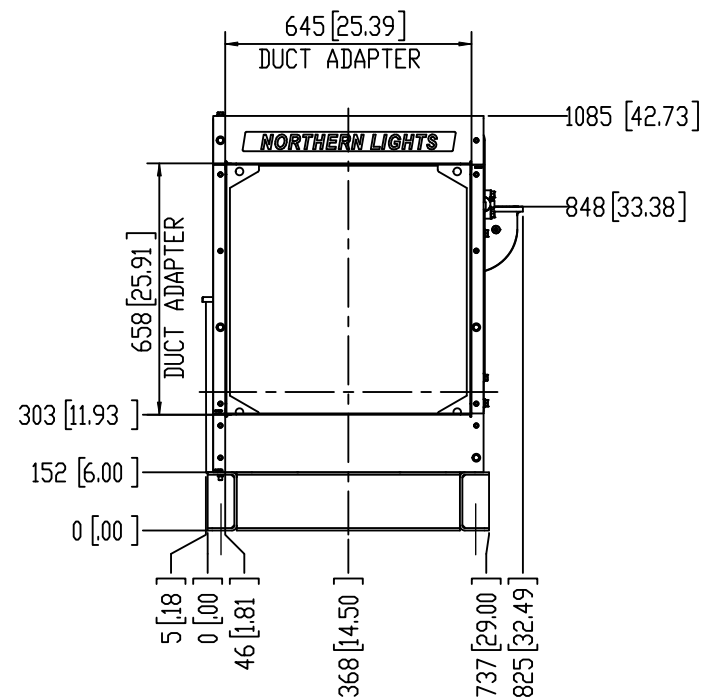


△ OPTIONAL DRY EXHAUST ELBOW DETAIL

ITEM	DESCRIPTION
1	EXPANSION TANK/COOLED EXHAUST MANIFOLD
2	COOLANT FILL
3	D.C. JUNCTION BOX*
4	FUEL INLET - 3/8 NPT*
5	FUEL RETURN - 3/8 NPT*
6	CRANKCASE OIL DIPSTICK
7	CRANKCASE OIL FILLER
8	CRANKCASE OIL FILTER
9	ENGINE OIL DRAIN - 1/2 NPT*
10	AIR INLET FILTER
11	DRY EXHAUST ELBOW - SEE DETAIL*
12	CLOSED CRANKCASE VENTILATION SYSTEM
13	ELECTRIC STARTER
14	PRIMARY FUEL FILTER
15	FINAL FUEL FILTER
16	ENGINE CONTROL UNIT

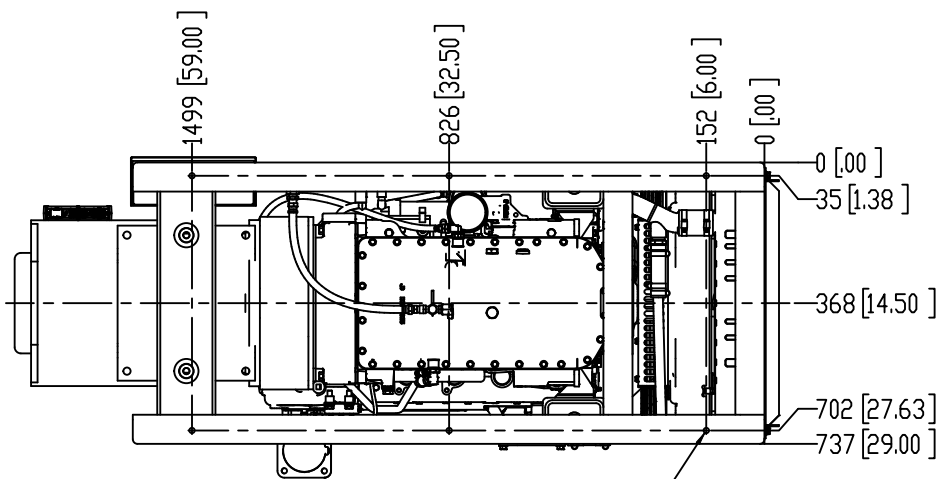


SERVICE SIDE



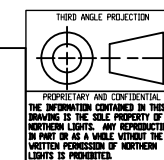
FRONT

△ * OPTIONAL KITS



BOTTOM

NOTE:
 1. EST. WEIGHT - WITH OIL, NO COOLANT: 2350 LBS [1066 kg]
 2. DIMENSIONS IN BRACKETS ARE FOR REFERENCE ONLY.



PROPRIETARY AND CONFIDENTIAL
 THE INFORMATION CONTAINED IN THIS
 DRAWING IS THE SOLE PROPERTY OF
 NORTHERN LIGHTS. ANY REPRODUCTION
 IN PART OR AS A WHOLE WITHOUT THE
 WRITTEN PERMISSION OF NORTHERN
 LIGHTS IS PROHIBITED.

REV.	DESCRIPTION	DATE	BY	CHECKED
A	ADDED OPTIONAL KIT NOTE. ECN 5634.	08/14/18	MG	TAH

REVISIONS				
UNLESS OTHERWISE SPECIFIED:	NAME	DATE	NORTHERN LIGHTS	
DIMENSIONS ARE IN MILLIMETERS	DRWN	MG	09/02/14	4420 14th AVE. N.W. Seattle, WA 98107 (206) 789-3880 www.northern-lights.com
TOLERANCES:	CHECKED	TAH	12/16/14	
ANGULAR:	ENG APPR.			
MACH ± 0.5° BEND ± 1.0°	MFG APPR.			
X ± 2	QA			
XX ± 1	COMMENTS:			
INTERPRET GEOMETRIC TOLERANCING PER: ASME Y14.5M				
MATERIAL:				
FINISH:				
DO NOT SCALE				

TITLE:	INSTALLATION DIMENSIONS		
	M60C13R.2S		
SIZE	PART NO.	DWG. NO.	REV.
D		D-4793	A
SCALE: 1:10	WEIGHT:	SHEET 1 OF 1	

THE DIMENSIONS ON THIS DRAWING ARE SUBJECT TO CHANGE. PLEASE CONTACT NLI TO BE SURE YOU HAVE THE MOST CURRENT REVISION.