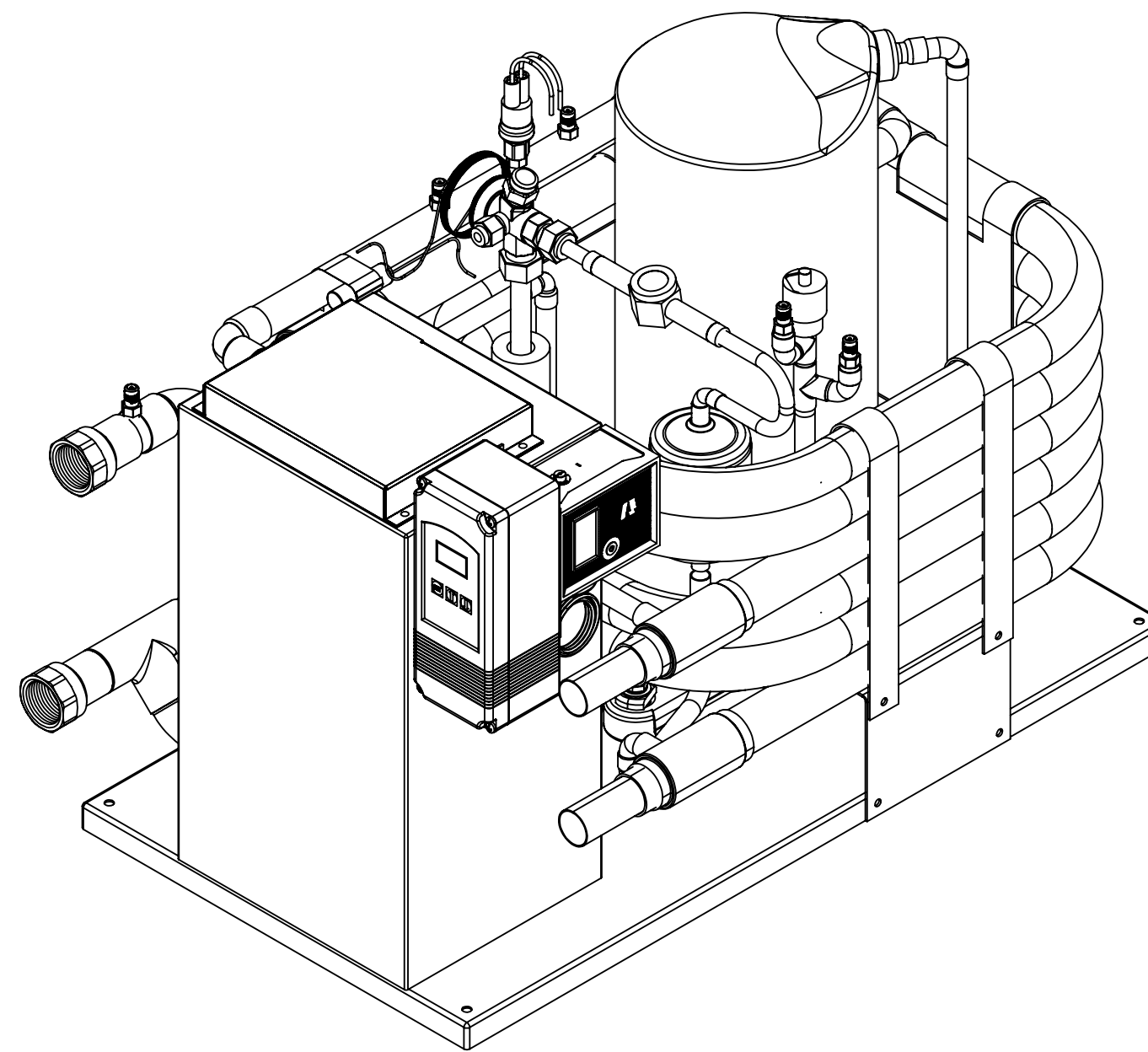
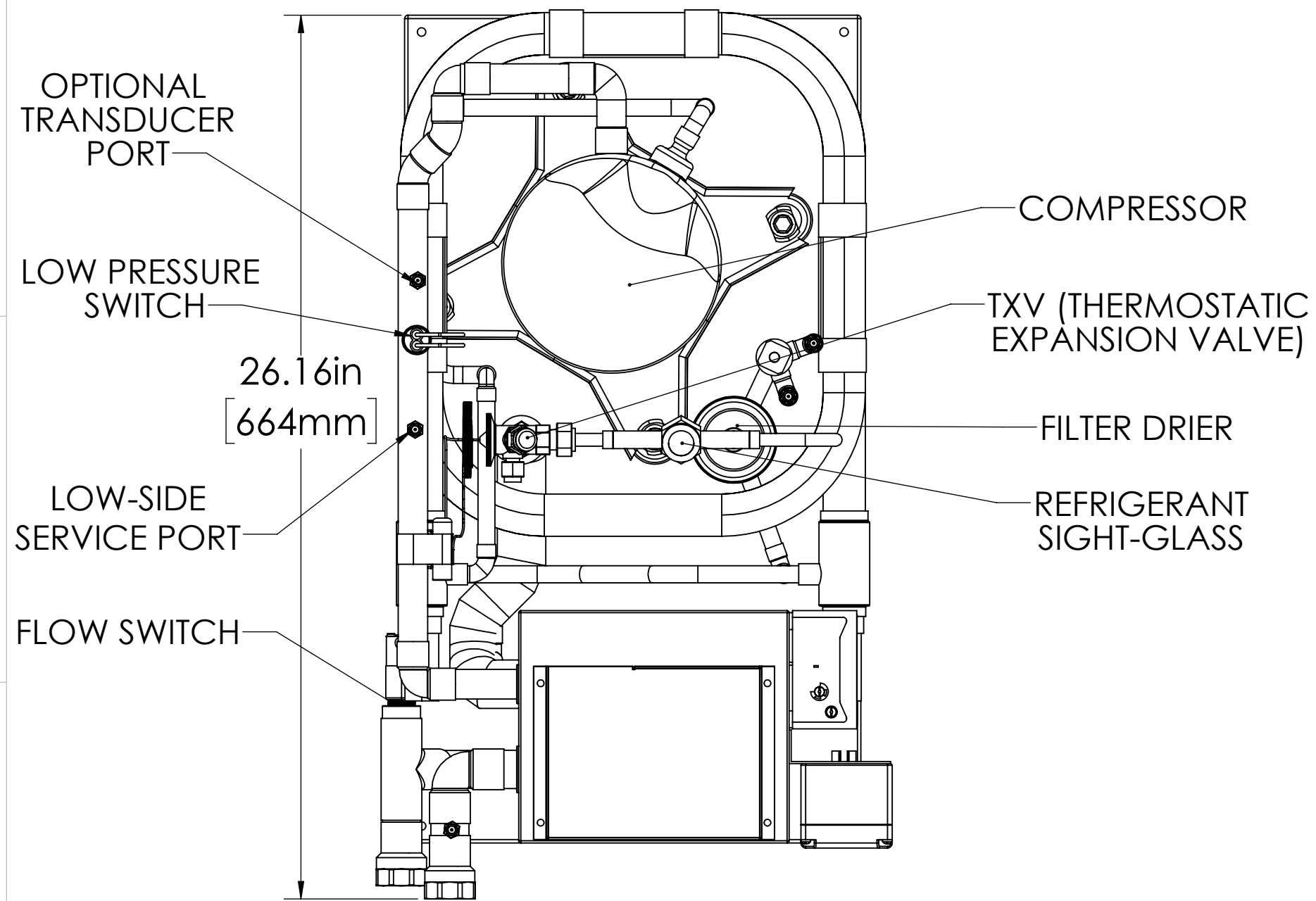
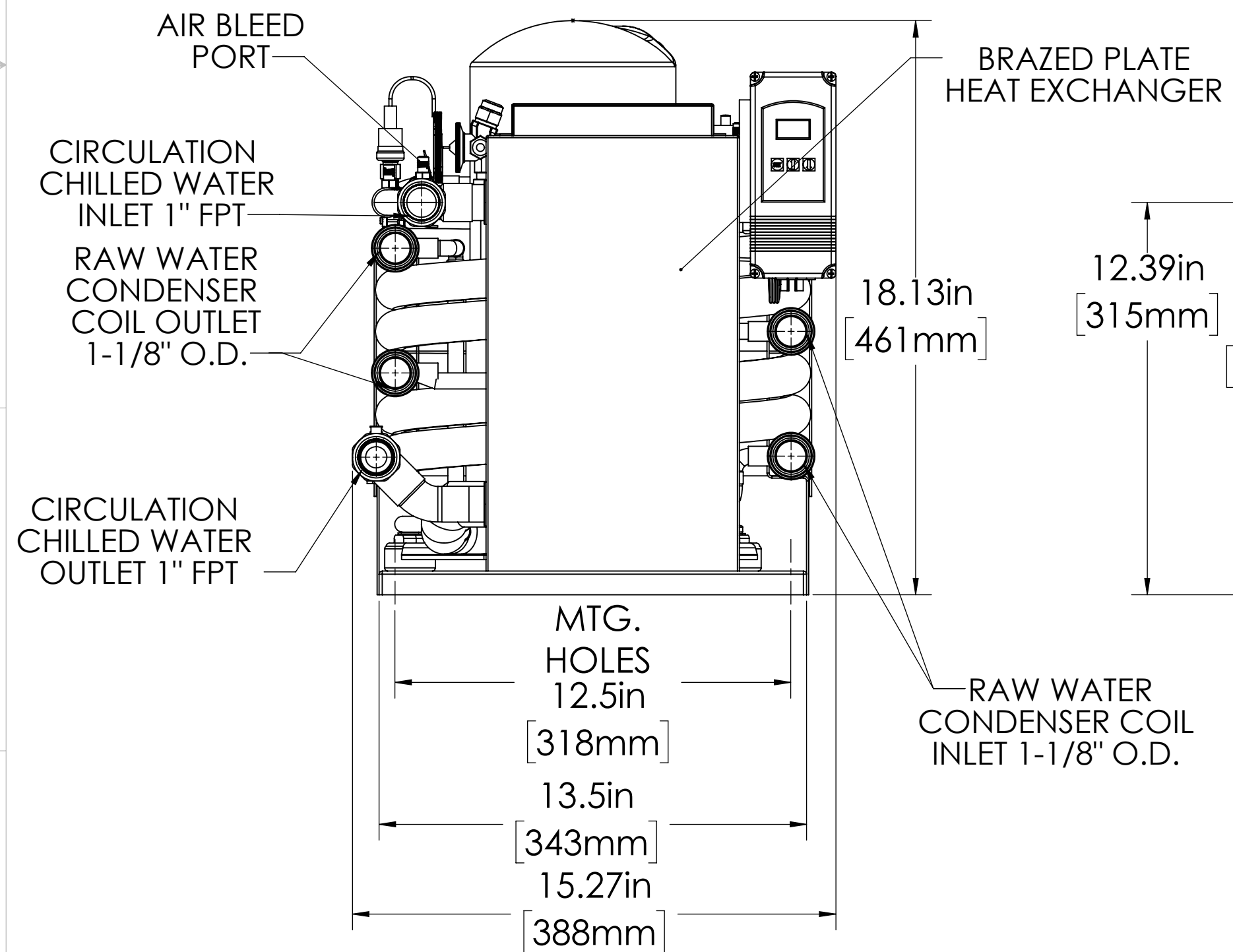


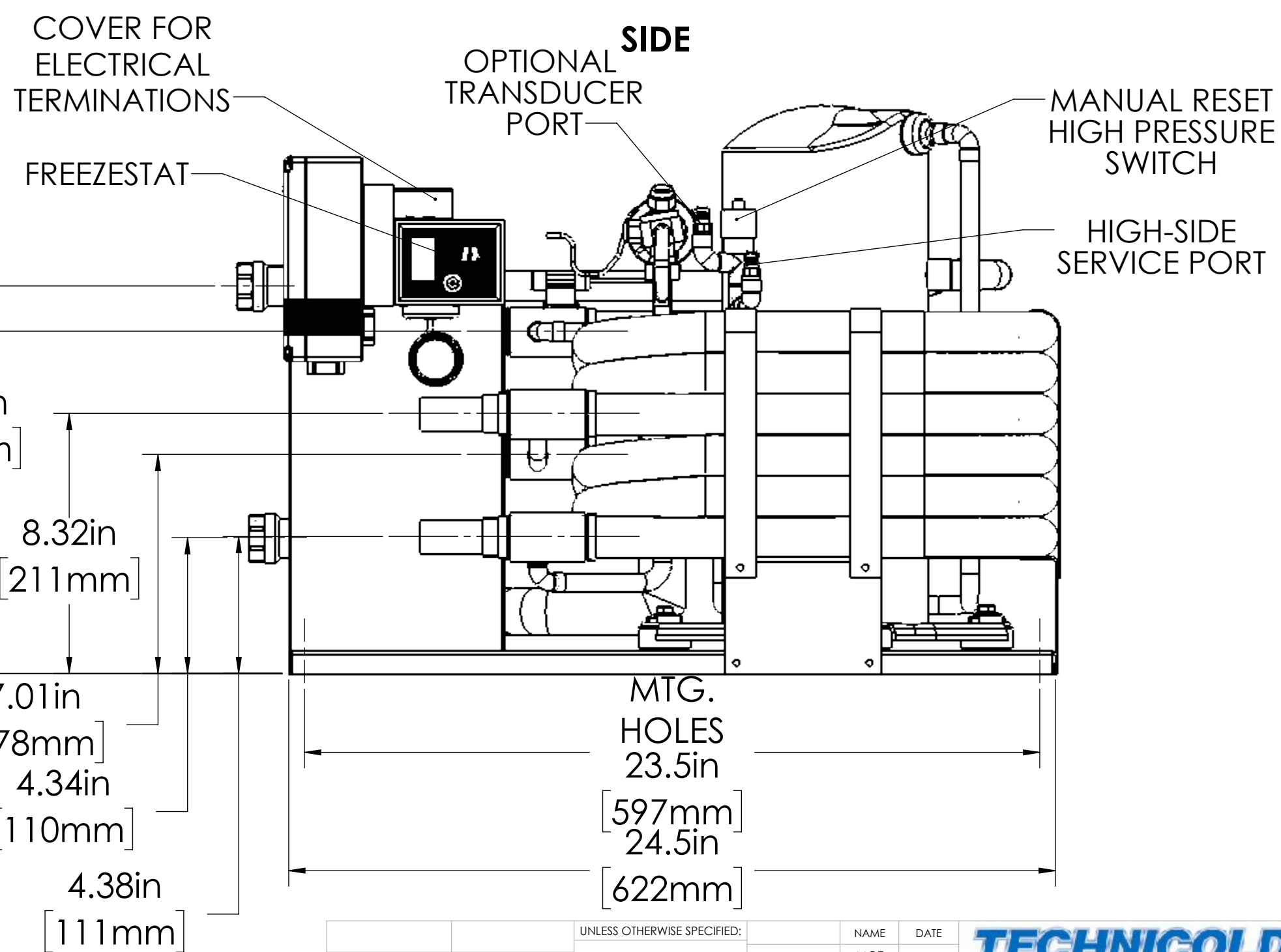
**TOP**



**FRONT**



**SIDE**



**PROPRIETARY AND CONFIDENTIAL**  
 THE INFORMATION CONTAINED IN THIS DRAWING IS THE SOLE PROPERTY OF TECHNICALD. ANY REPRODUCTION IN PART OR AS A WHOLE WITHOUT THE WRITTEN PERMISSION OF TECHNICALD IS PROHIBITED.

UNLESS OTHERWISE SPECIFIED:		NAME	DATE
DIMENSIONS ARE IN INCHES		DRAWN	MCE 10/28/2020
TOLERANCES:		CHECKED	
FRACTIONAL ±		ENG APPR.	
ANGULAR: MACH ±		MFG APPR.	
BEND ±		Q.A.	
TWO PLACE DECIMAL ±		COMMENTS:	
THREE PLACE DECIMAL ±			
INTERPRET GEOMETRIC TOLERANCING PER:			
MATERIAL			
FINISH			
APPLICATION	DO NOT SCALE DRAWING		



TITLE:	CW48T (4 TON) 48,000 BTU TITANIUM CHILLER	
SIZE	DWG. NO.	REV
<b>C</b>	<b>M90936</b>	<b>0</b>
SCALE: 1:4		