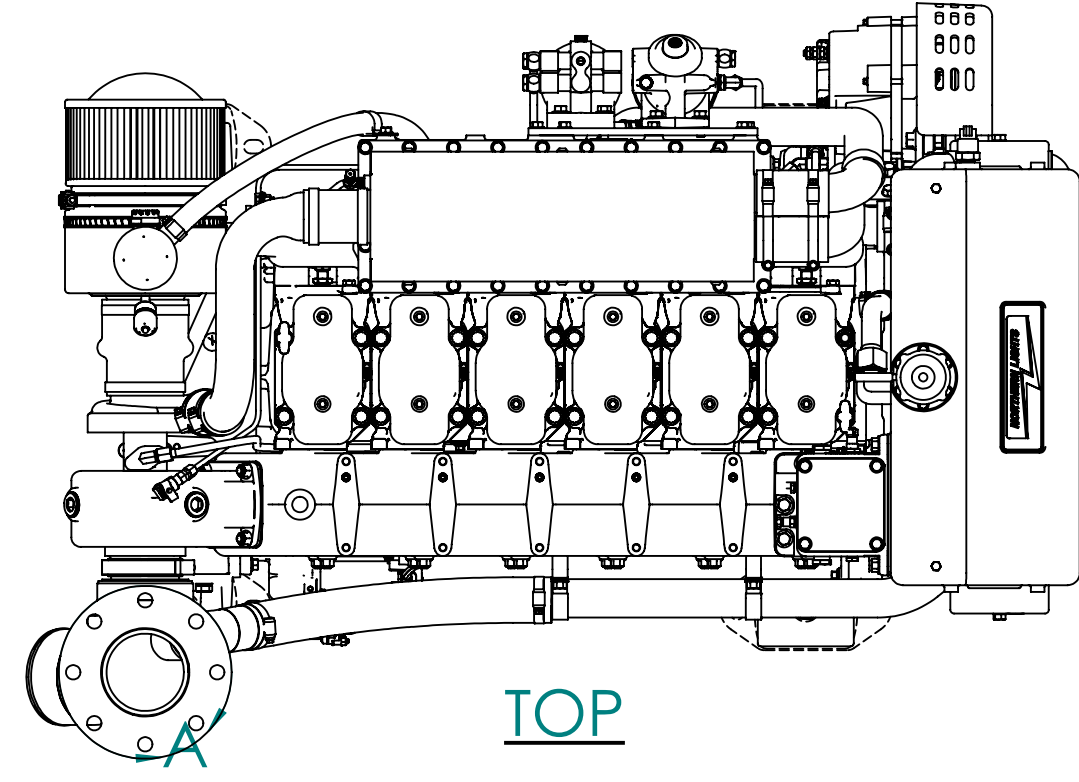


MODEL	DESCRIPTION	APPROX. WT - LBS (KG)
L6105A1	255HP (190KW) @ 2100RPM, HEAT EXCHANGED	1773 (804)
L6105A2	315HP (235KW) @ 2250RPM, HEAT EXCHANGED	
L6105A3	380HP (283KW) @ 2500RPM, HEAT EXCHANGED	

*NOTE: WEIGHTS INCLUDE OIL, BUT NO COOLANT. VALUES ARE APPROXIMATIONS AND ARE SUBJECT TO CHANGE. PLEASE CONTACT NLI TO BE SURE YOU HAVE THE MOST CURRENT REVISION.

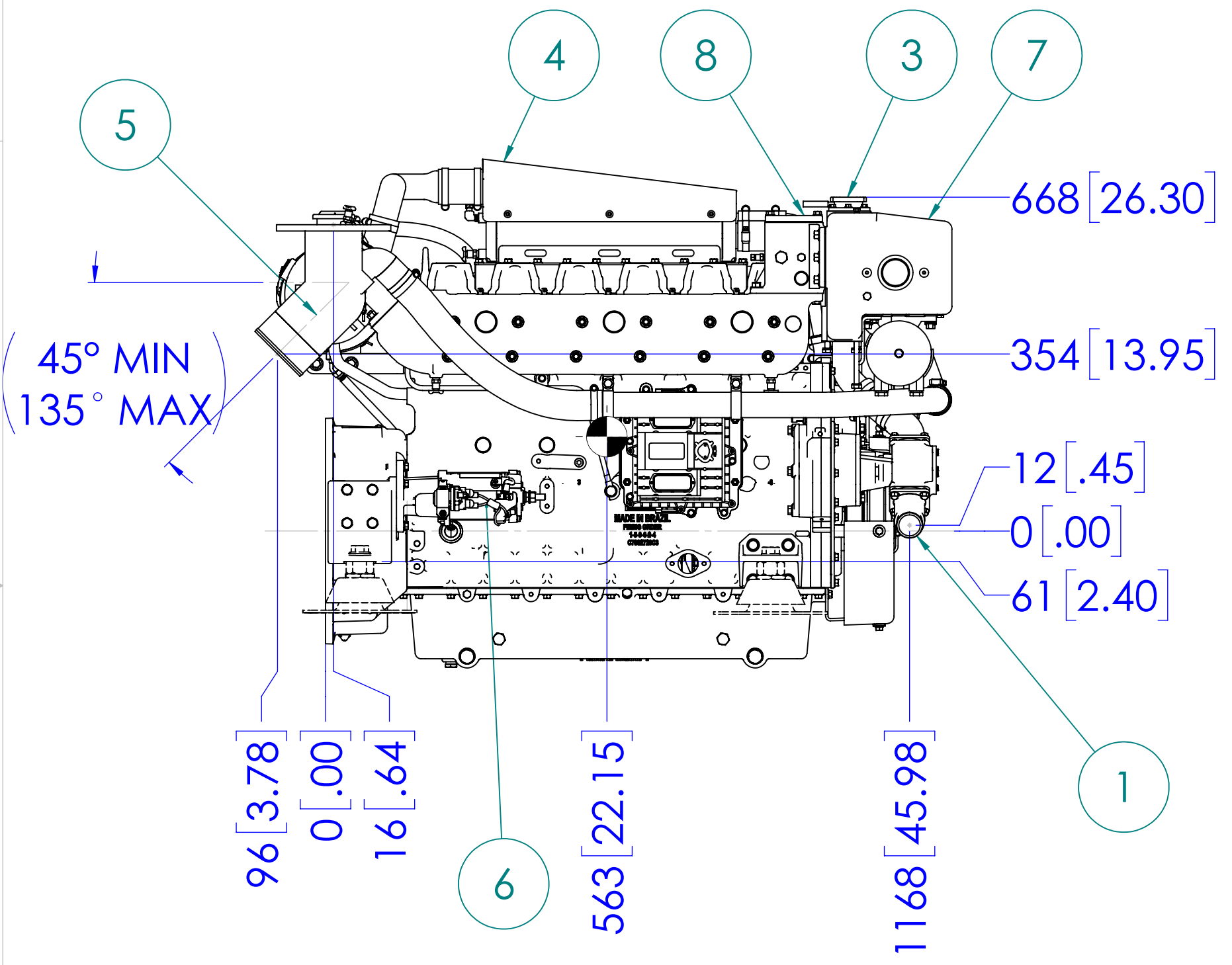
ITEM	DESCRIPTION	ITEM	DESCRIPTION
1	SEA WATER INLET ϕ 51 [2.0] H.B.	14	ENGINE OIL FILL
2	HEAT EXCHANGER	15	FUEL RETURN PORT 3/8"-37T
3	COOLANT FILL	16	FUEL SUPPLY PORT 3/8"-37T
4	AFTERCOOLER	17	ENGINE OIL DRAIN PORT M22X1.5
5	WET EXHAUST ELBOW ϕ 127 [5.0]	18	ALTERNATOR
6	ELECTRIC STARTER MOTOR	19	VIBRATION MOUNTS (OPTIONAL)
7	EXPANSION TANK	20	DRY EXHAUST ELBOW (OPTIONAL)
8	THERMOSTAT HOUSING	21	
9	FUEL/WATER SEPARATOR	22	
10	PRIMARY FUEL FILTER	23	
11	OIL FILTER	24	
12	AIR FILTER & COALESCING FILTER	25	
13	ENGINE OIL DIPSTICK	26	



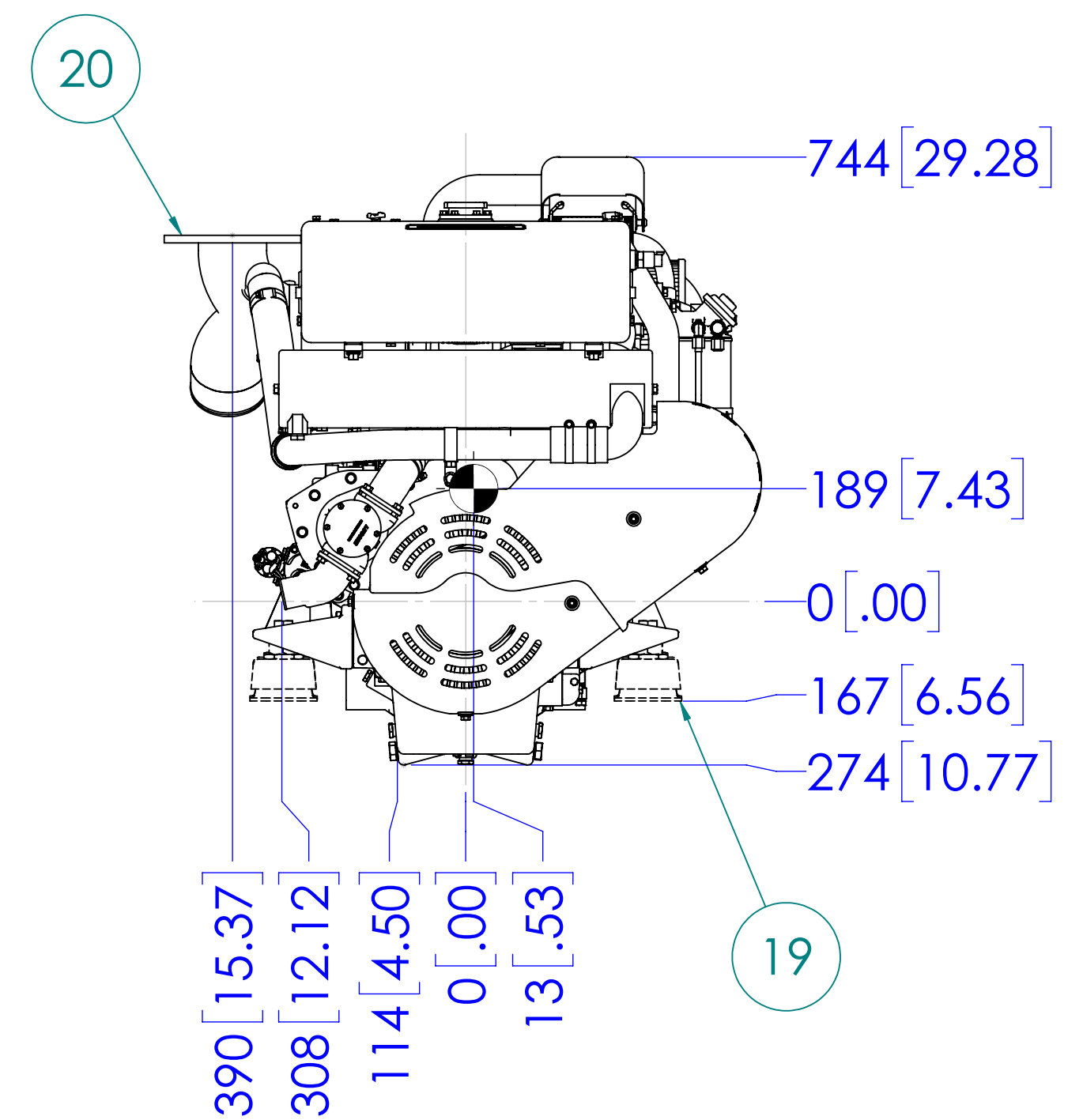
TOP



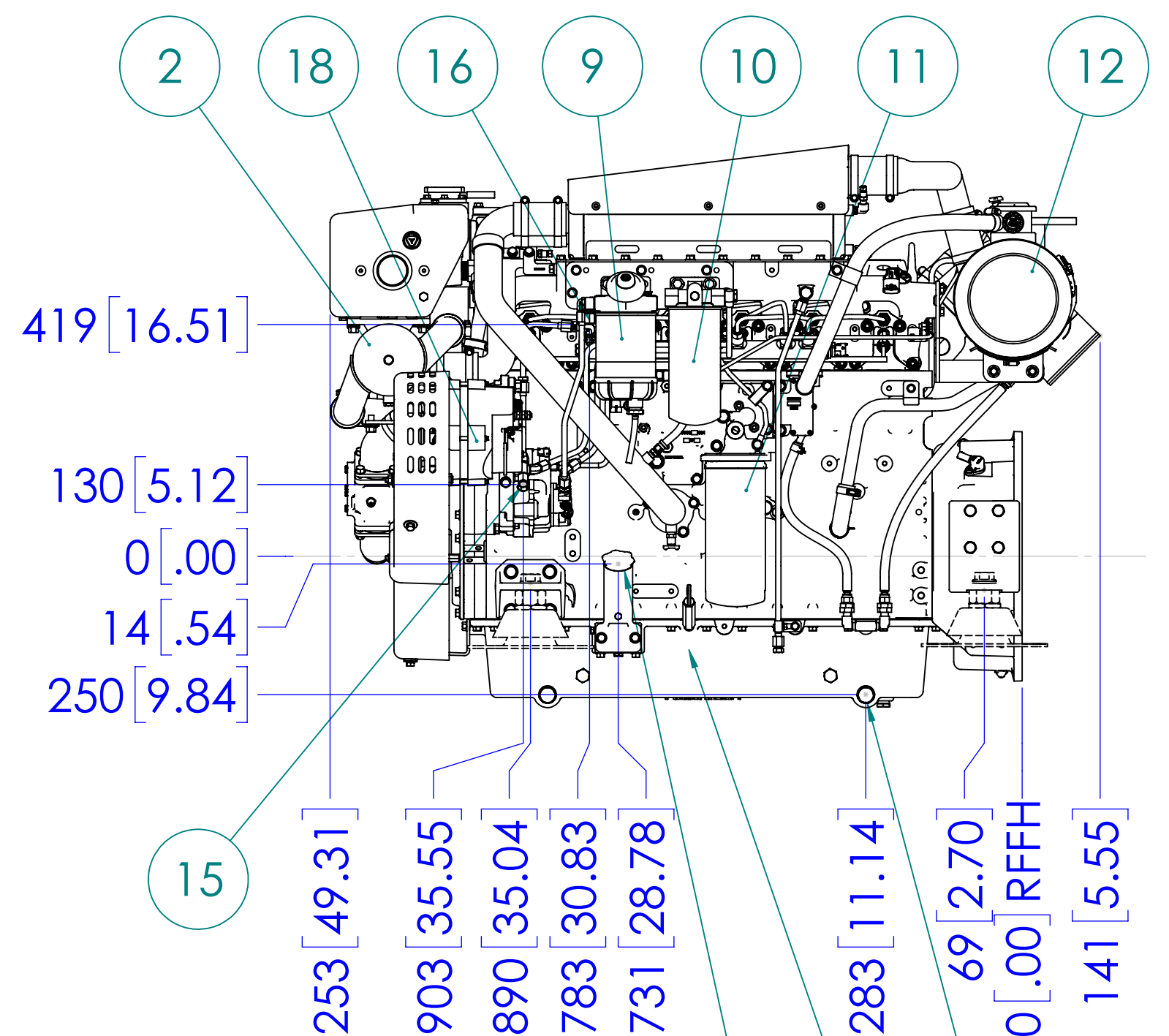
DETAIL A
OPTIONAL DRY EXHAUST FLANGE
SCALE 1 : 4



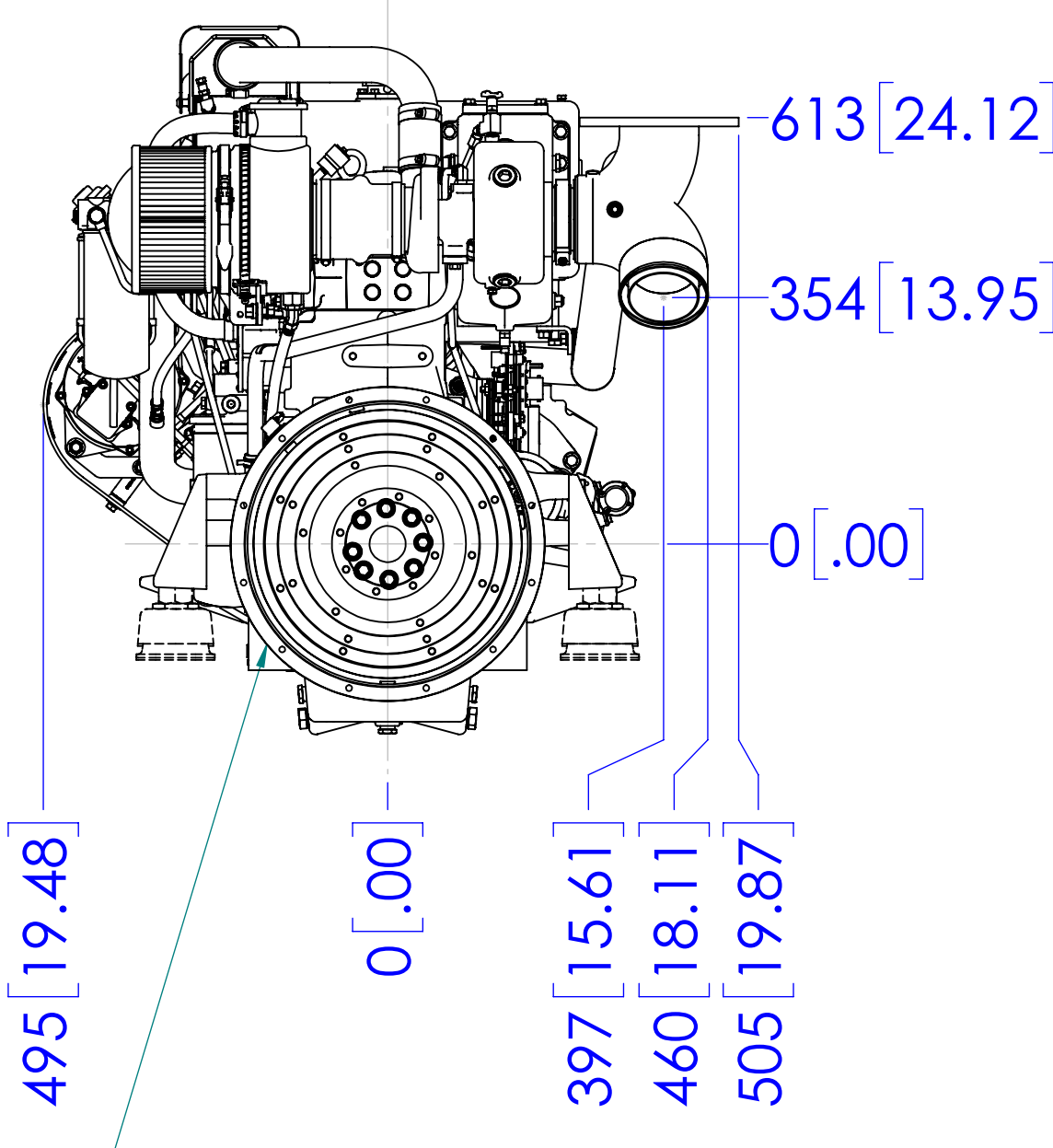
LEFT SIDE



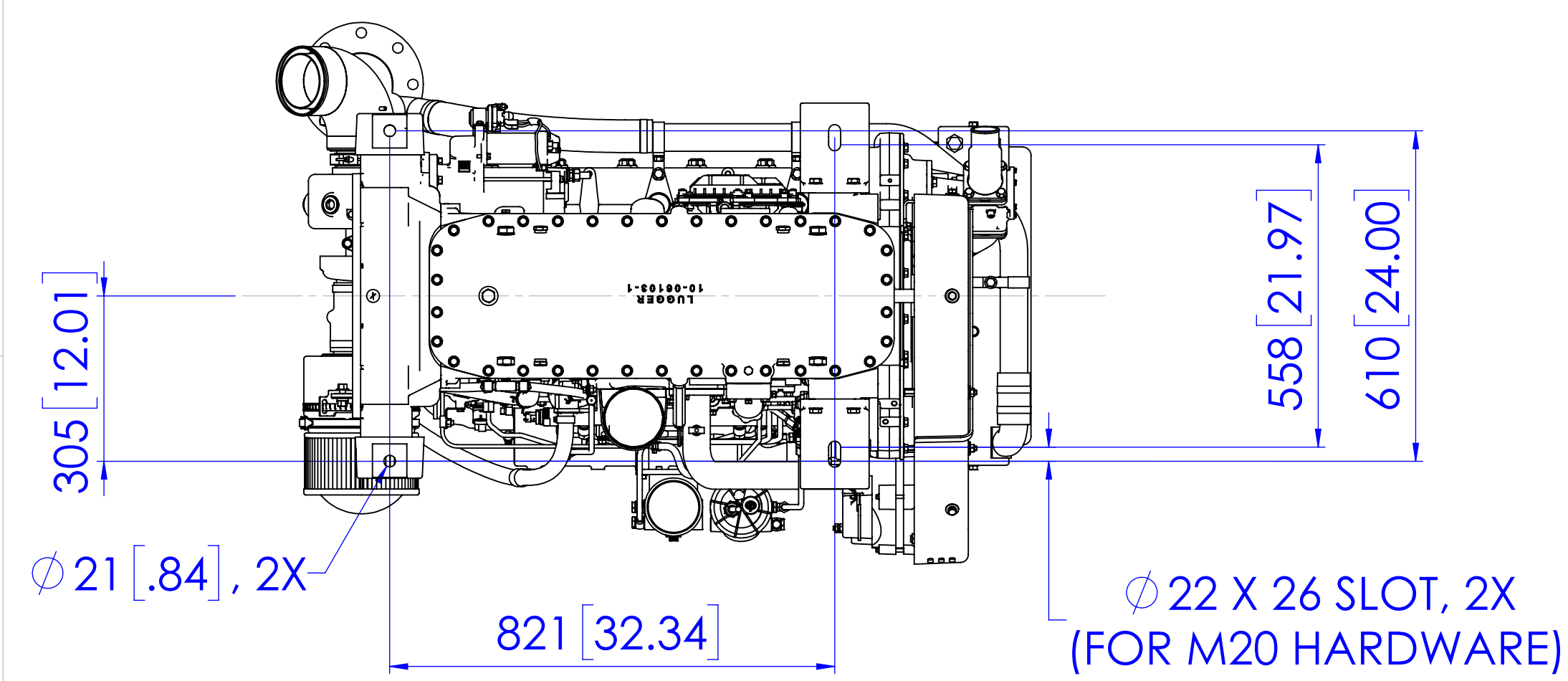
FRONT



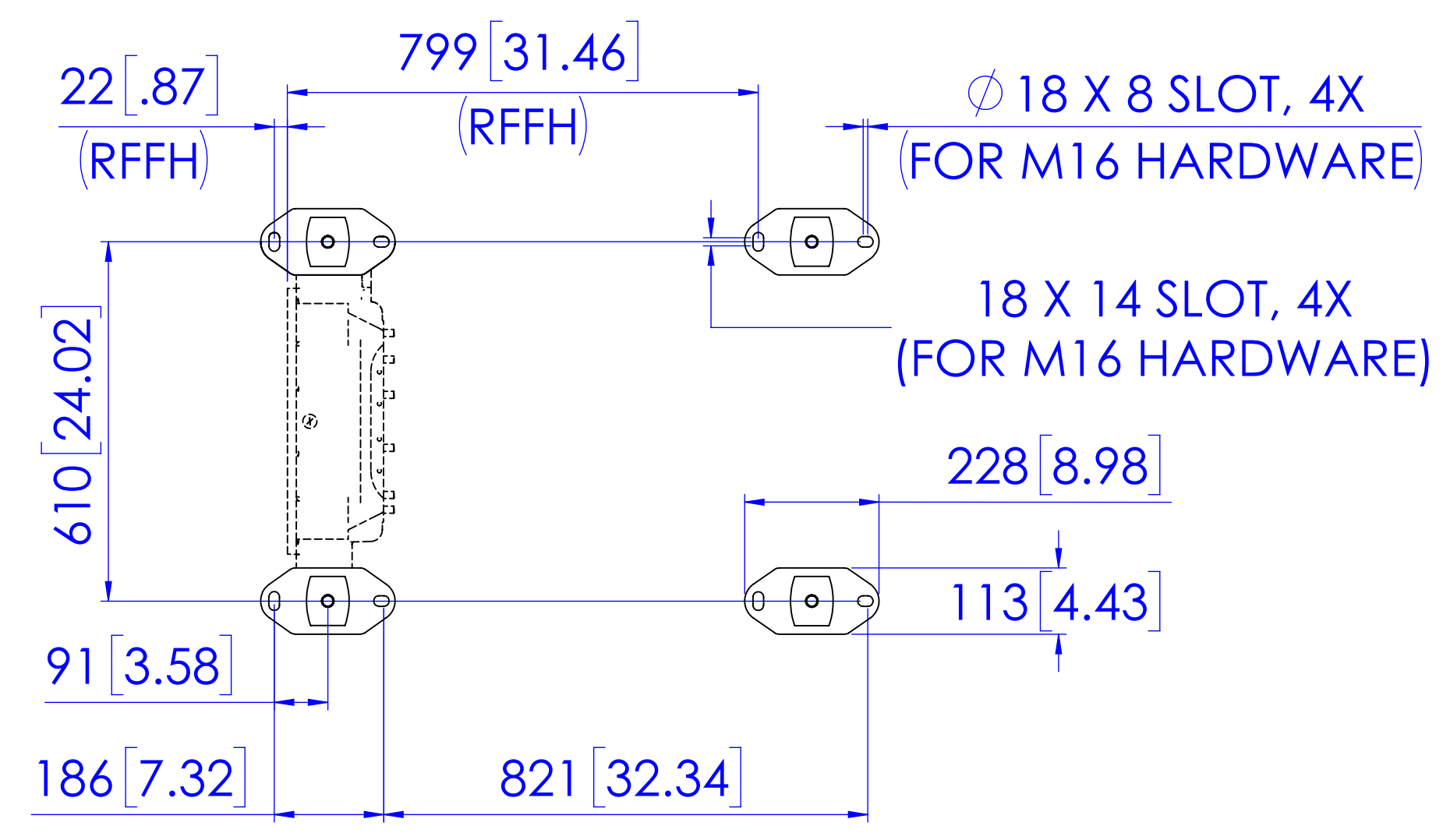
SERVICE SIDE



REAR

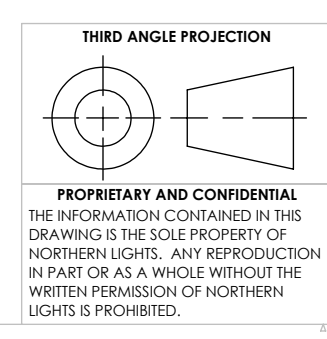


MOUNTING (W/O VIBRATION ISOLATION)



OPTIONAL VIBRATION ISOLATION FOOTPRINT

SAE #3
11.5" FLYWHEEL



UNLESS OTHERWISE SPECIFIED:		NAME	DATE
DIMENSIONS ARE IN MILLIMETERS		JPW	12/29/23
TOLERANCES:		CHECKED	MG
ANGULAR: MACH ± 0.5° BEND ± 1.0°		ENG APPR.	
X ± 0.5		MEG APPR.	
.XX ± 0.3		Q.A.	
INTERPRET GEOMETRIC TOLERANCING PER: ASME Y14.5M		COMMENTS:	
MATERIAL:			
FINISH:			
DO NOT SCALE			

NORTHERN LIGHTS 4420 14th AVE. N.W.
Seattle, WA 98107
(206) 789-3880
www.northern-lights.com

TITLE: INSTALLATION DIMENSIONS (BOBTAIL)
L6105A1 / L6105A2 / L6105A3

SIZE: **D** PART NO. **L6105A** DWG. NO. **D-5585** REV

SCALE: 1:10 WEIGHT: SHEET 1 OF 1