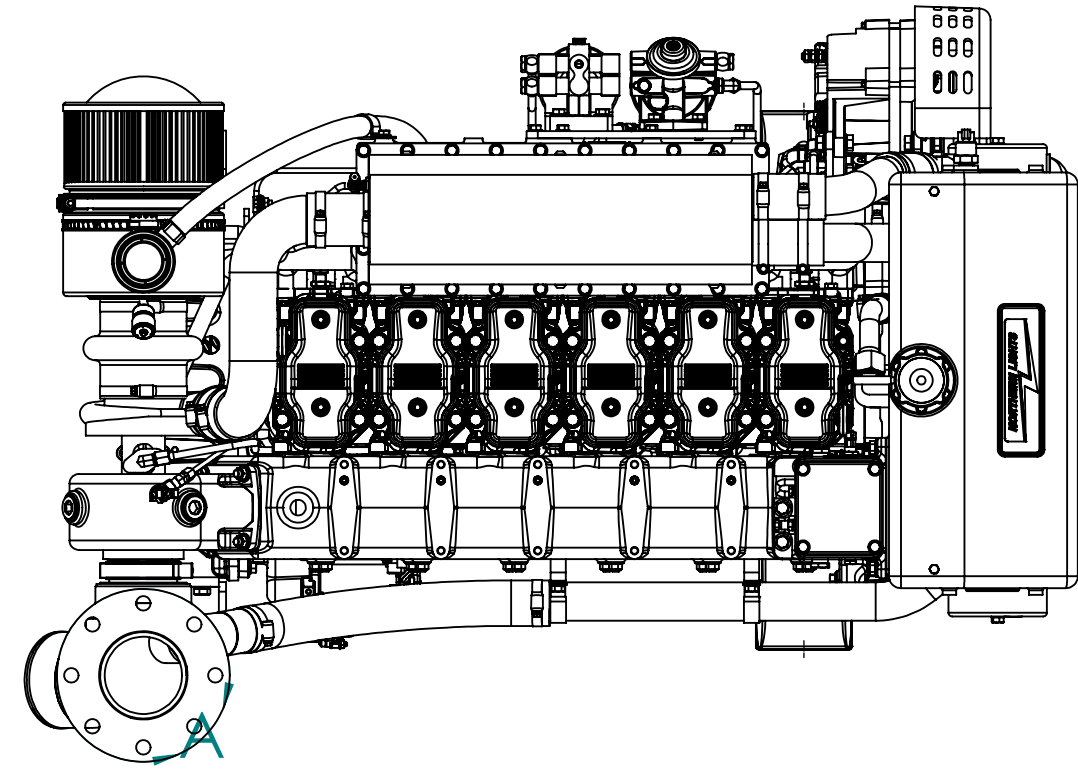


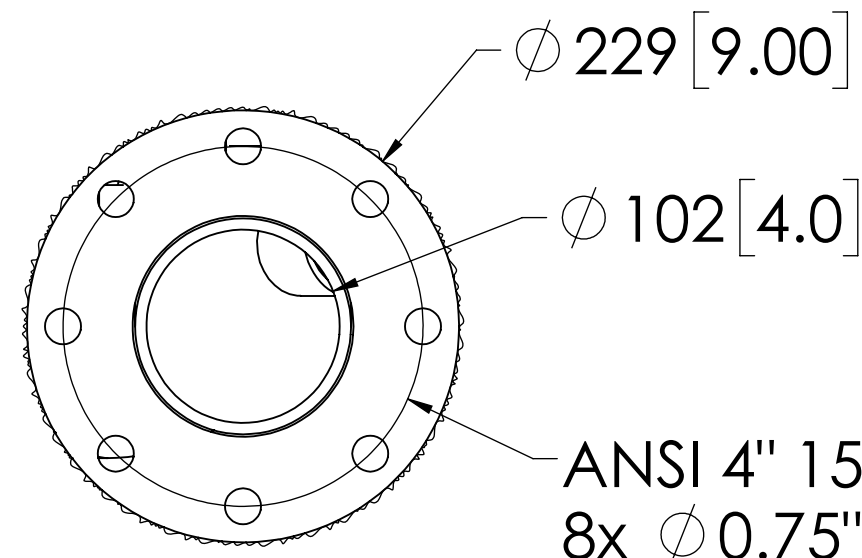
MODEL	DESCRIPTION	WEIGHT - LBS [KG]
L6105H1	425HP(317KW) @ 2500RPM, HEAT EXCHANGED	1735 [787]

*NOTE: WEIGHTS INCLUDE OIL, BUT NO COOLANT. WEIGHT DOES NOT INCLUDE VIBRATION ISOLATORS. VALUES ARE APPROXIMATIONS AND ARE SUBJECT TO CHANGE. PLEASE CONTACT NLI TO BE SURE YOU HAVE THE MOST CURRENT REVISION.

ITEM	DESCRIPTION	ITEM	DESCRIPTION
1	SEA WATER INLET ϕ 51 [2.0] H.B.	14	ENGINE OIL FILL
2	HEAT EXCHANGER	15	FUEL RETURN PORT 3/8" NPT
3	COOLANT FILL	16	FUEL SUPPLY PORT 3/8" NPT
4	AFTERCOOLER	17	ENGINE OIL DRAIN PORT 1/2" NPT
5	WET EXHAUST ELBOW ϕ 127 [5.0]	18	ALTERNATOR
6	ELECTRIC STARTER MOTOR	19	VIBRATION MOUNTS (OPTIONAL)
7	EXPANSION TANK	20	DRY EXHAUST ELBOW (OPTIONAL)
8	THERMOSTAT HOUSING	21	
9	FUEL/WATER SEPARATOR	22	
10	PRIMARY FUEL FILTER	23	
11	OIL FILTER	24	
12	AIR FILTER & COALESCING FILTER	25	
13	ENGINE OIL DIPSTICK	26	

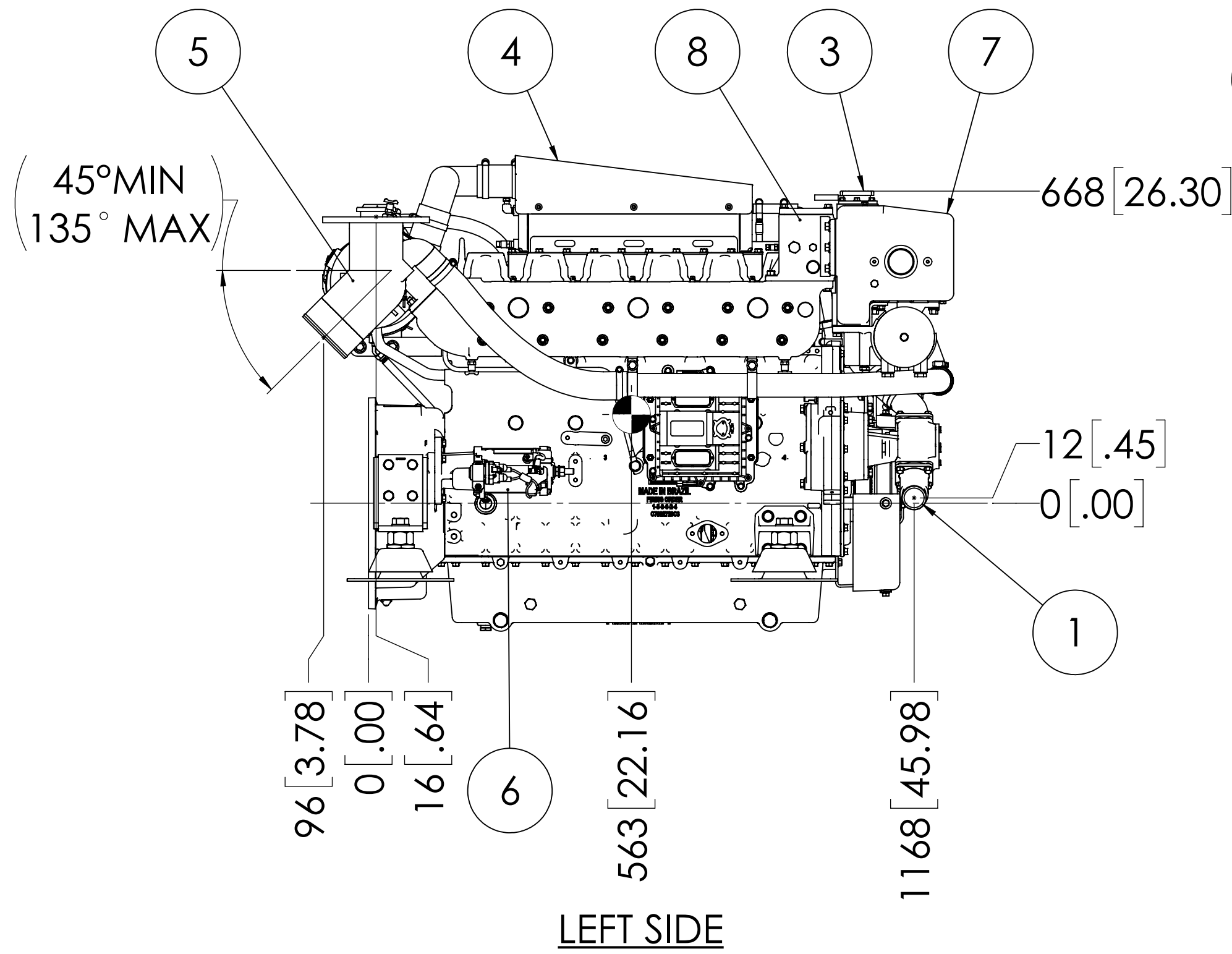


TOP

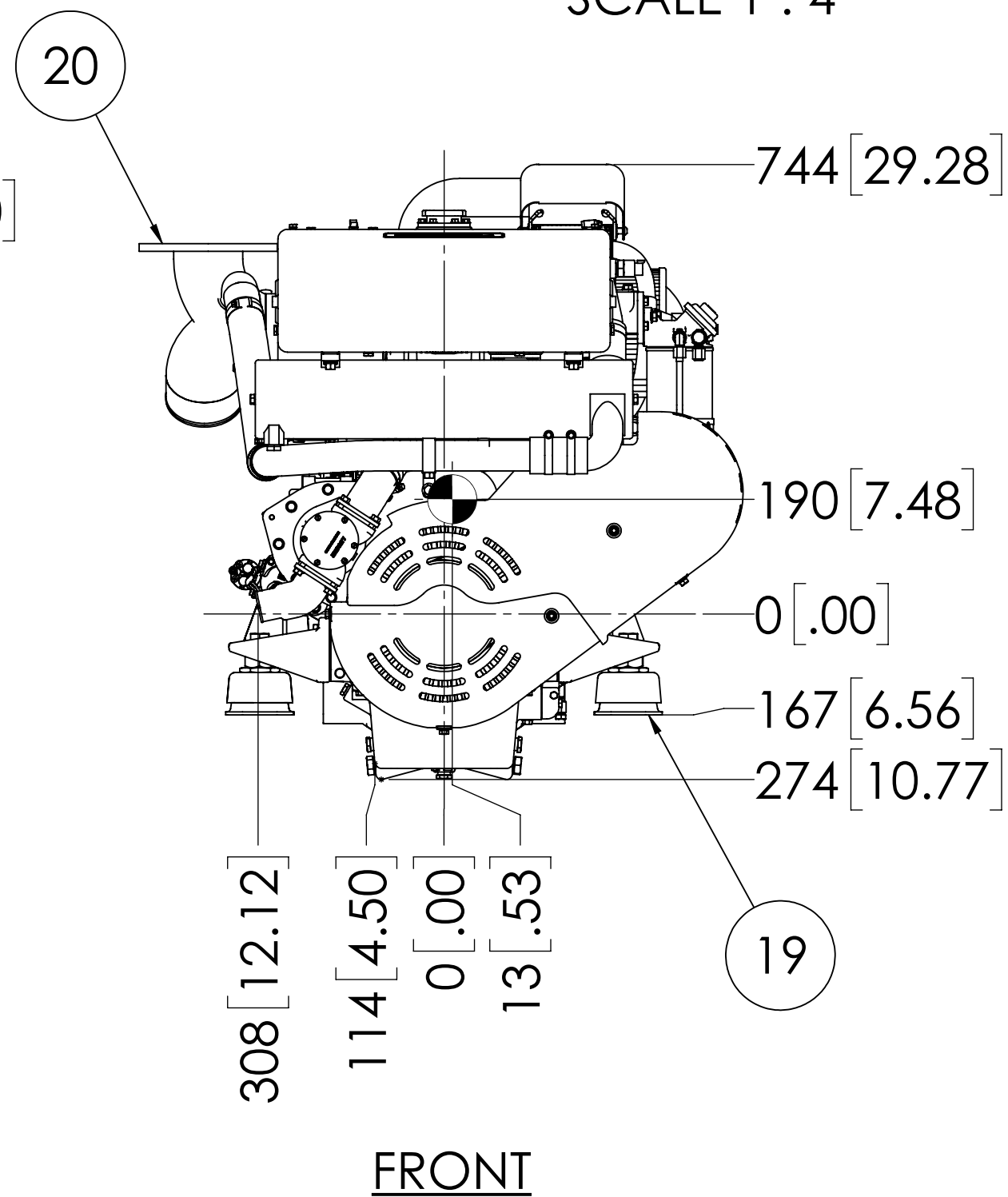


ANSI 4" 150# FLANGE
8x ϕ 0.75" THRU HOLES ON 7.5" B.C.

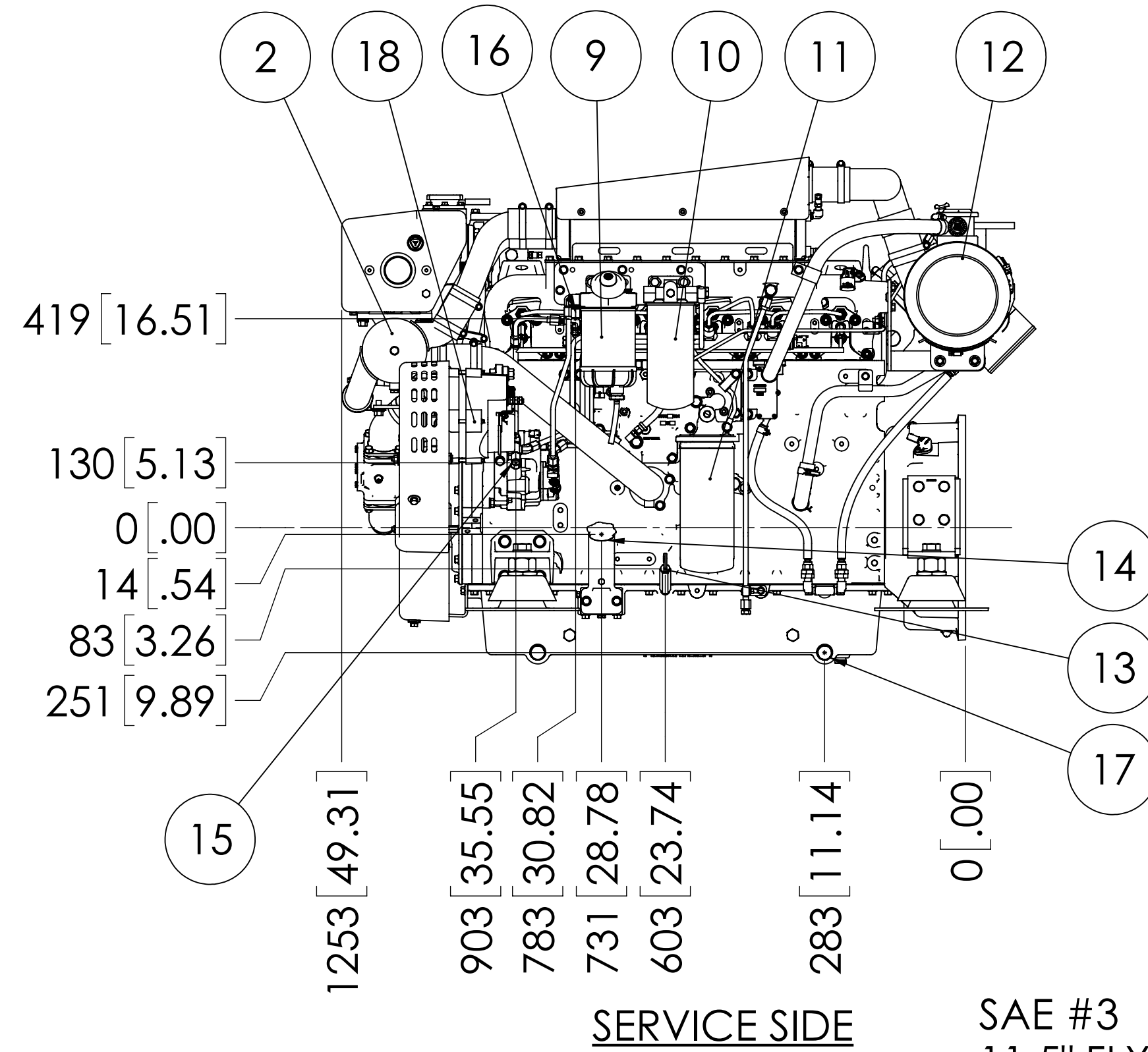
DETAIL A
OPTIONAL DRY EXHAUST FLANGE
SCALE 1 : 4



LEFT SIDE

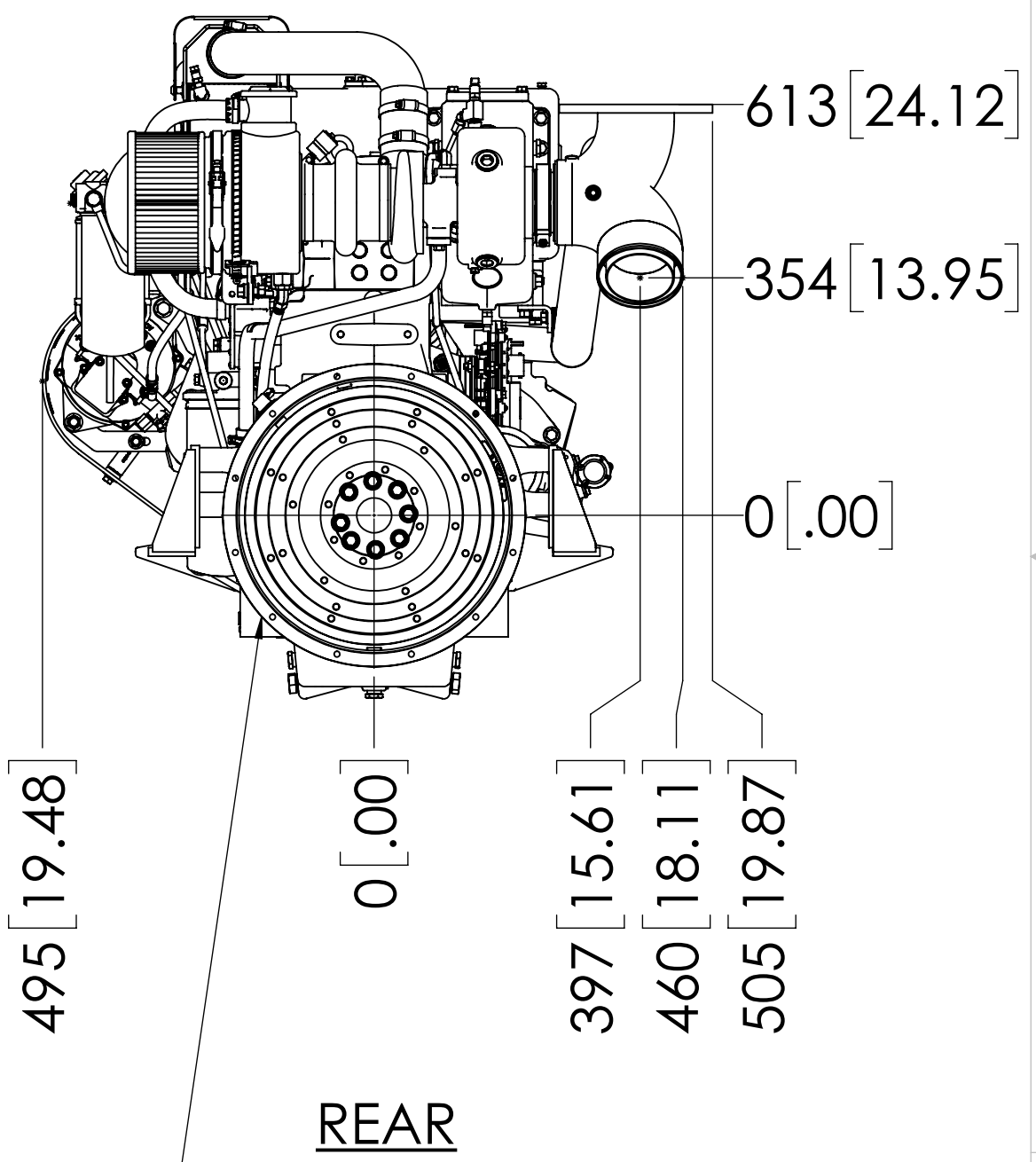


FRONT

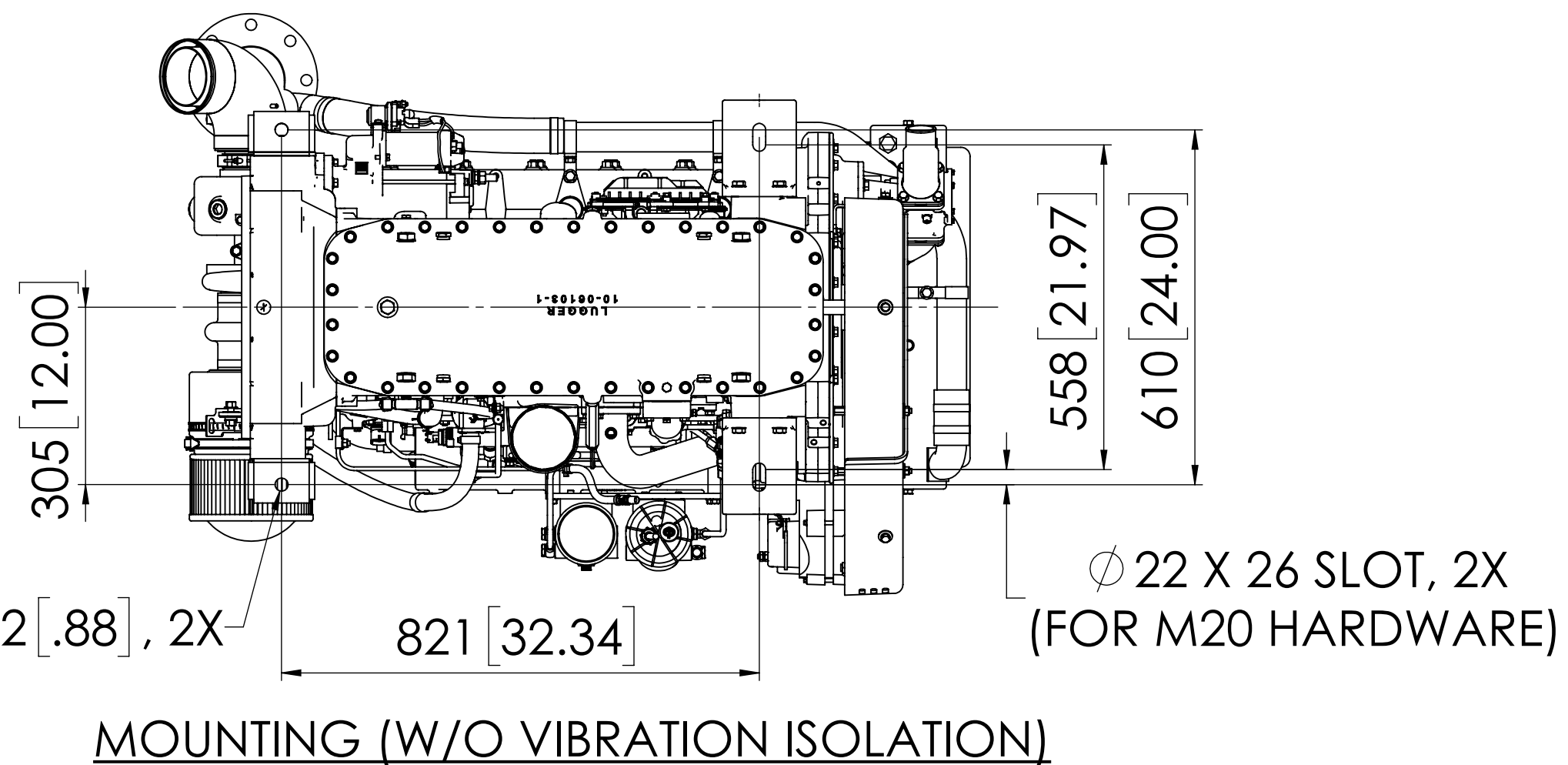


SERVICE SIDE

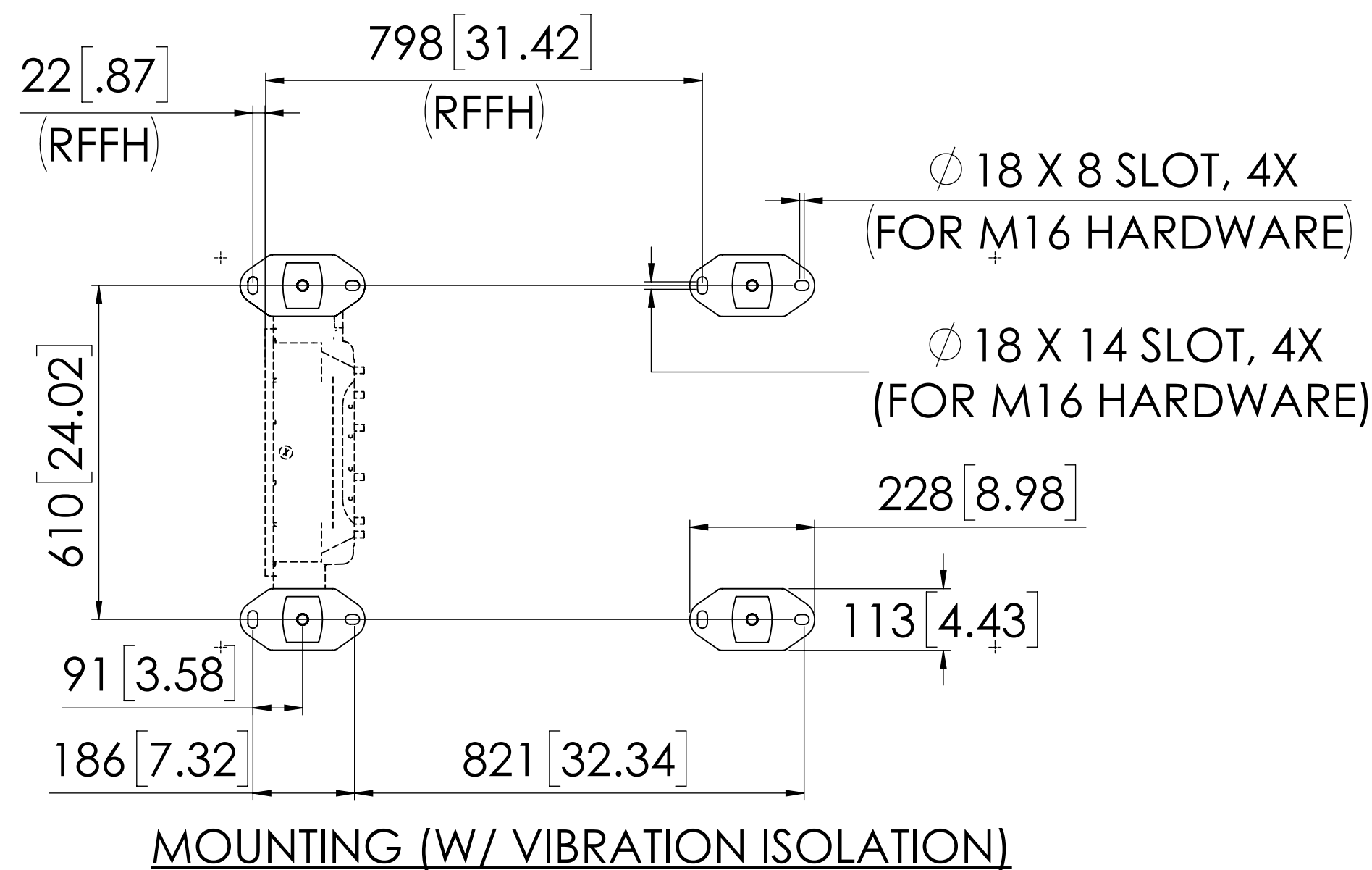
SAE #3
11.5" FLYWHEEL



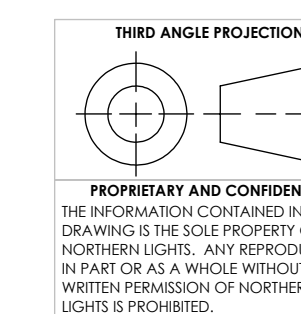
REAR



MOUNTING (W/O VIBRATION ISOLATION)



MOUNTING (W/ VIBRATION ISOLATION)



THIRD ANGLE PROJECTION
PROPRIETARY AND CONFIDENTIAL
THE INFORMATION CONTAINED IN THIS DRAWING IS THE SOLE PROPERTY OF NORTHERN LIGHTS. ANY REPRODUCTION IN PART OR AS A WHOLE WITHOUT THE WRITTEN PERMISSION OF NORTHERN LIGHTS IS PROHIBITED.

UNLESS OTHERWISE SPECIFIED: DIMENSIONS ARE IN MILLIMETERS TOLERANCES: ANGULAR: MACH \pm 0.5° BEND \pm 1.0° X \pm 0.5 XX \pm 0.3 INTERPRET GEOMETRIC TOLERANCING PER: ASME Y14.5M MATERIAL: FINISH: DO NOT SCALE	DRAWN: JPW CHECKED: ENG APPR: MEG APPR: G.A. COMMENTS:	NAME: JPW DATE: 7/30/2024
--	---	------------------------------

NORTHERN LIGHTS		4420 14th AVE. N.W. Seattle, WA 98107 (206) 789-3880 www.northern-lights.com	
TITLE: INSTALLATION DIMENSIONS L6105H1			
SIZE: D	PART NO: SEE TABLE	DWG. NO: D-5571	REV:
SCALE: 1:10	WEIGHT:	SHEET 1 OF 1	