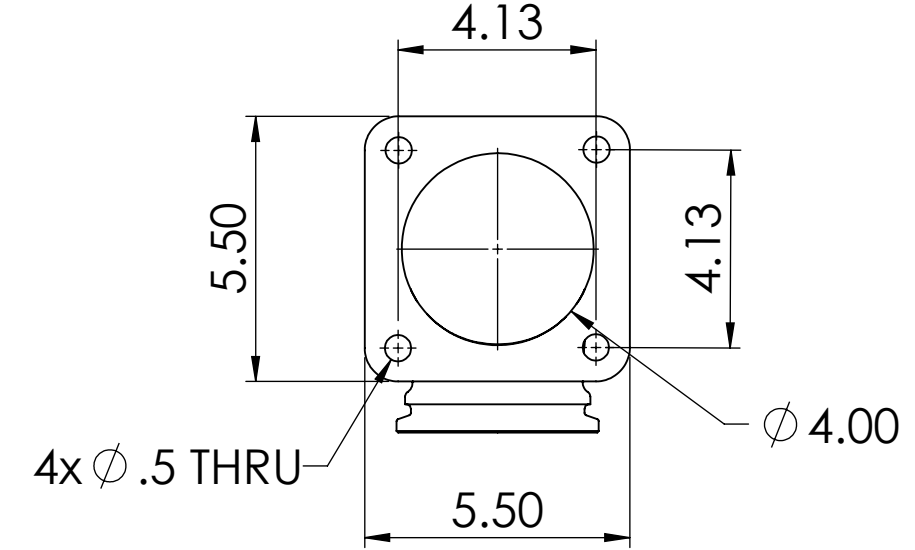
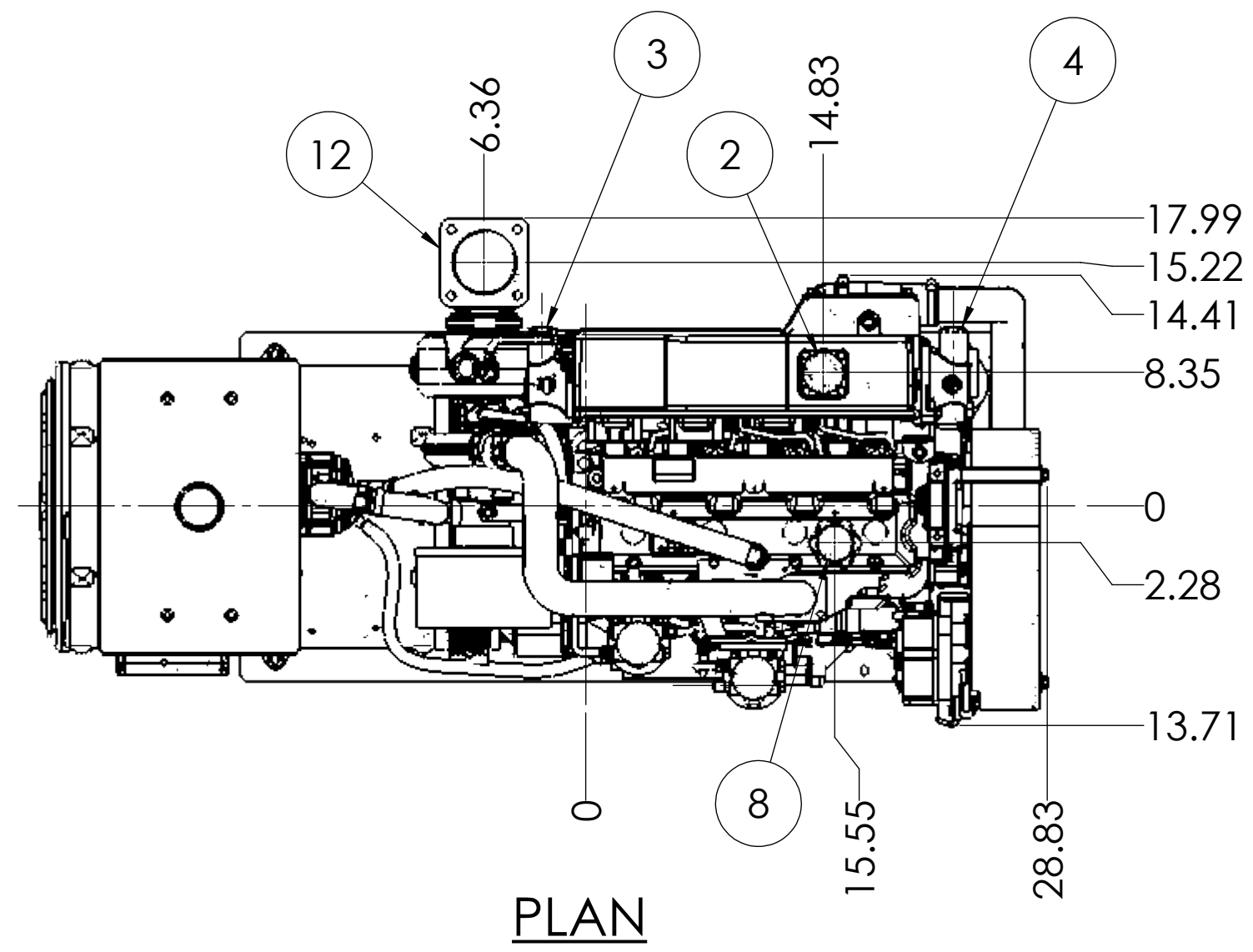
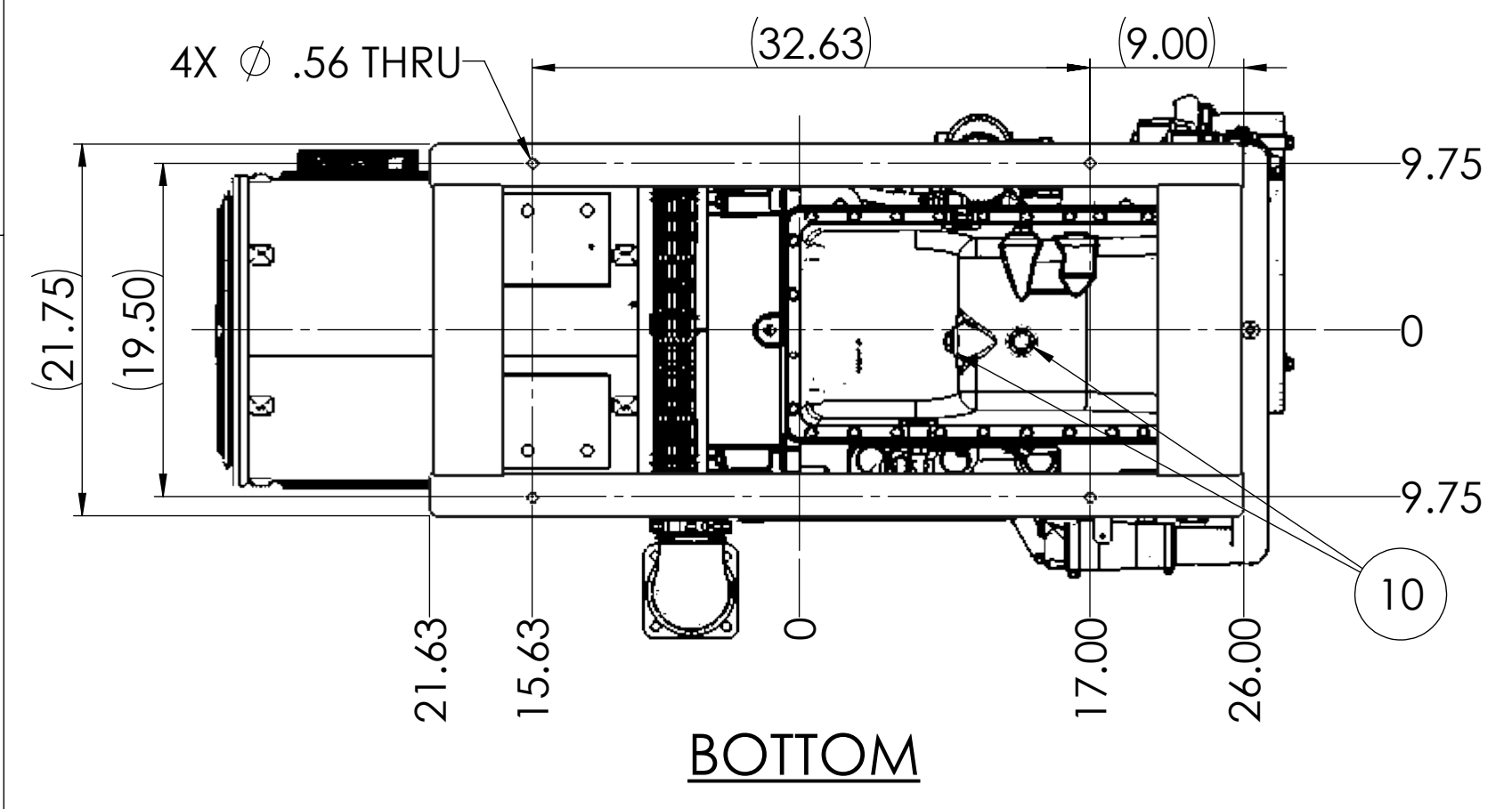
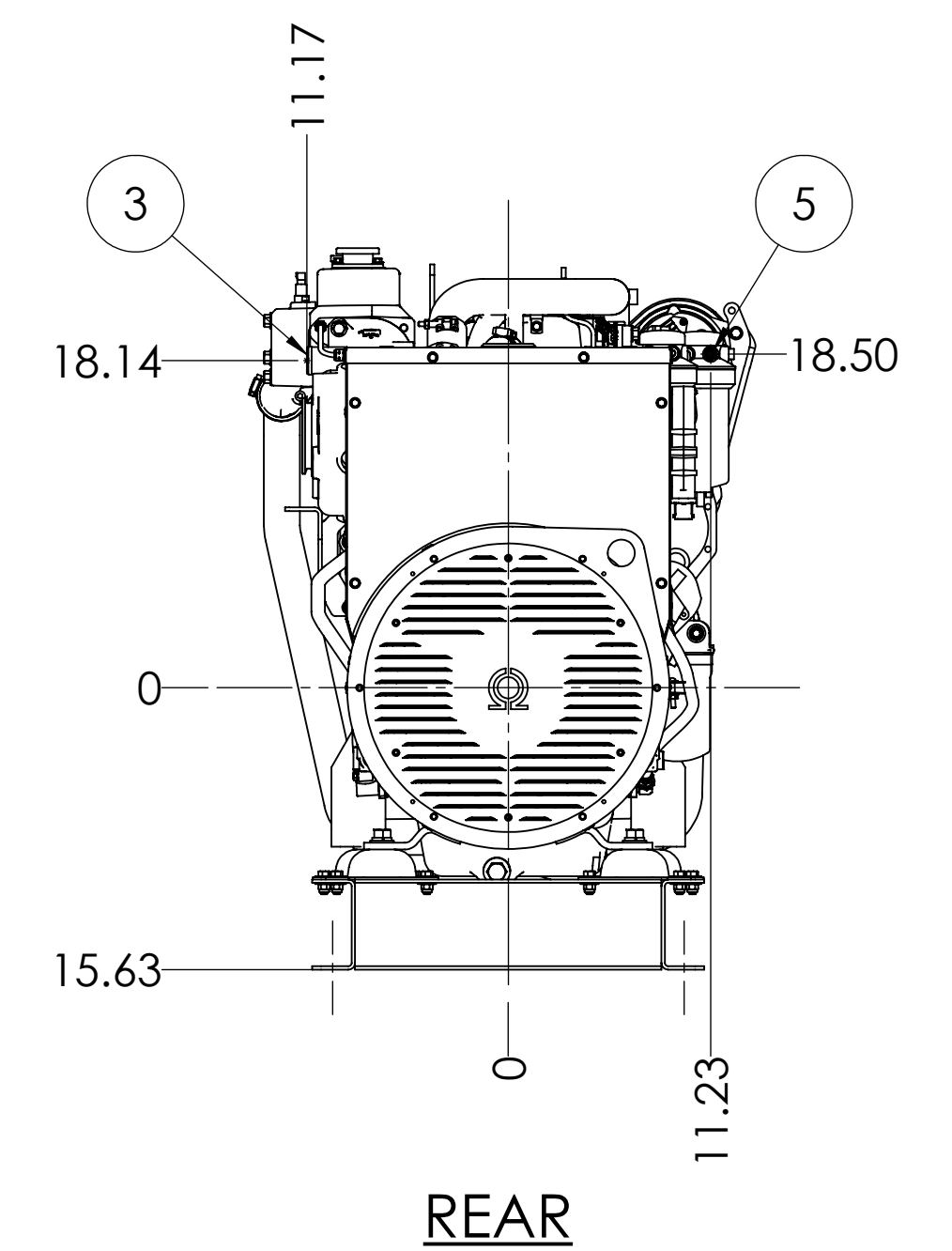
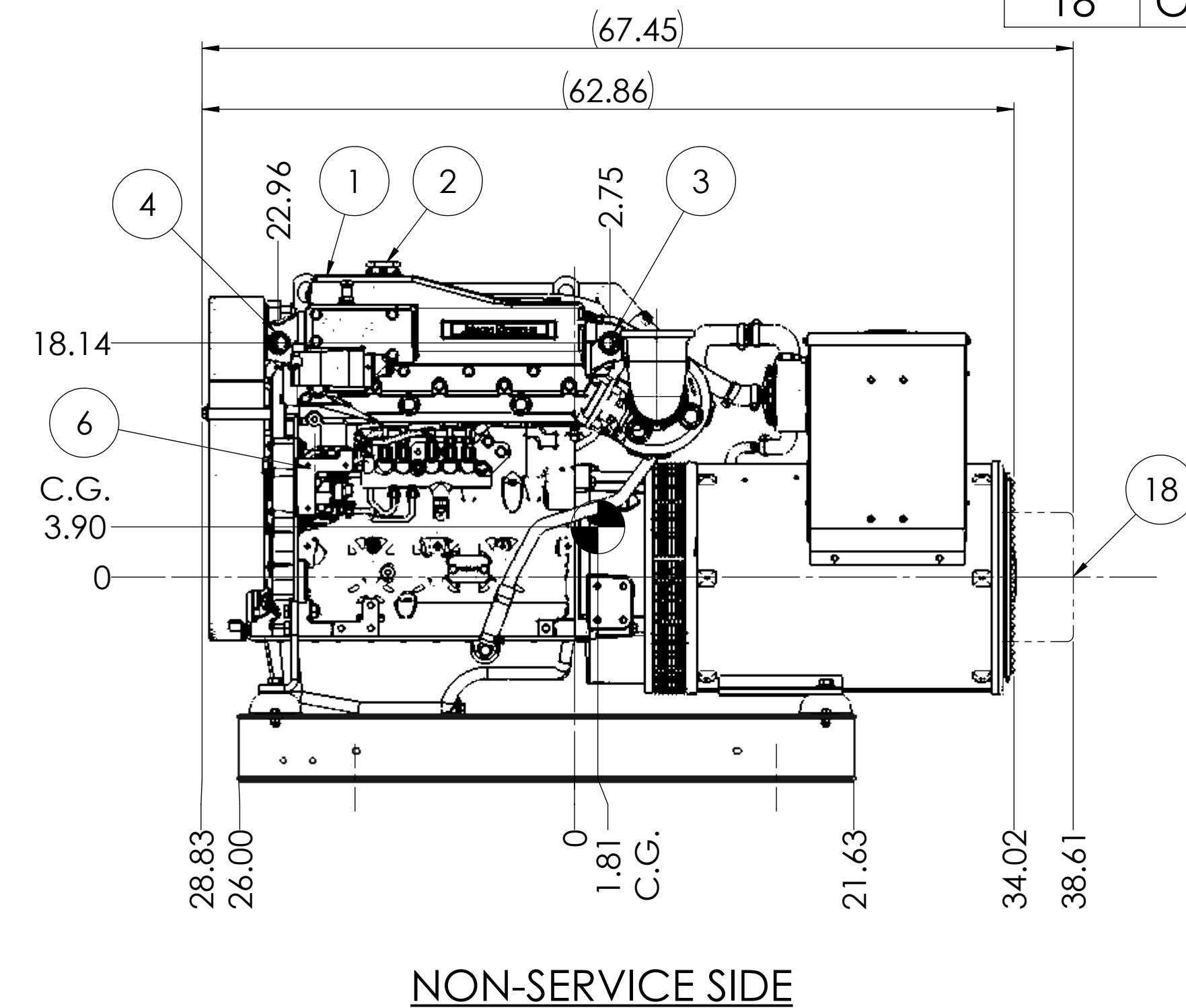
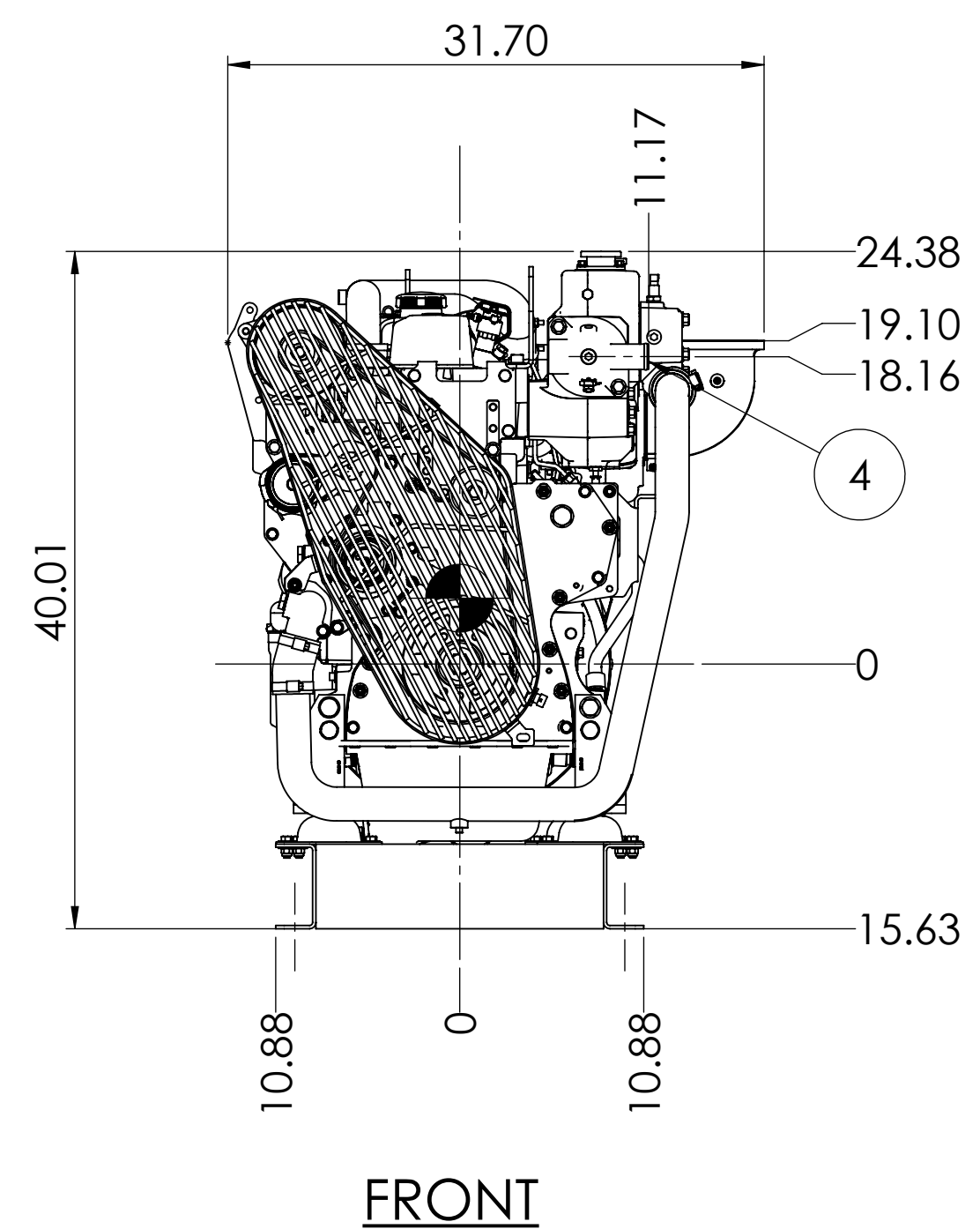
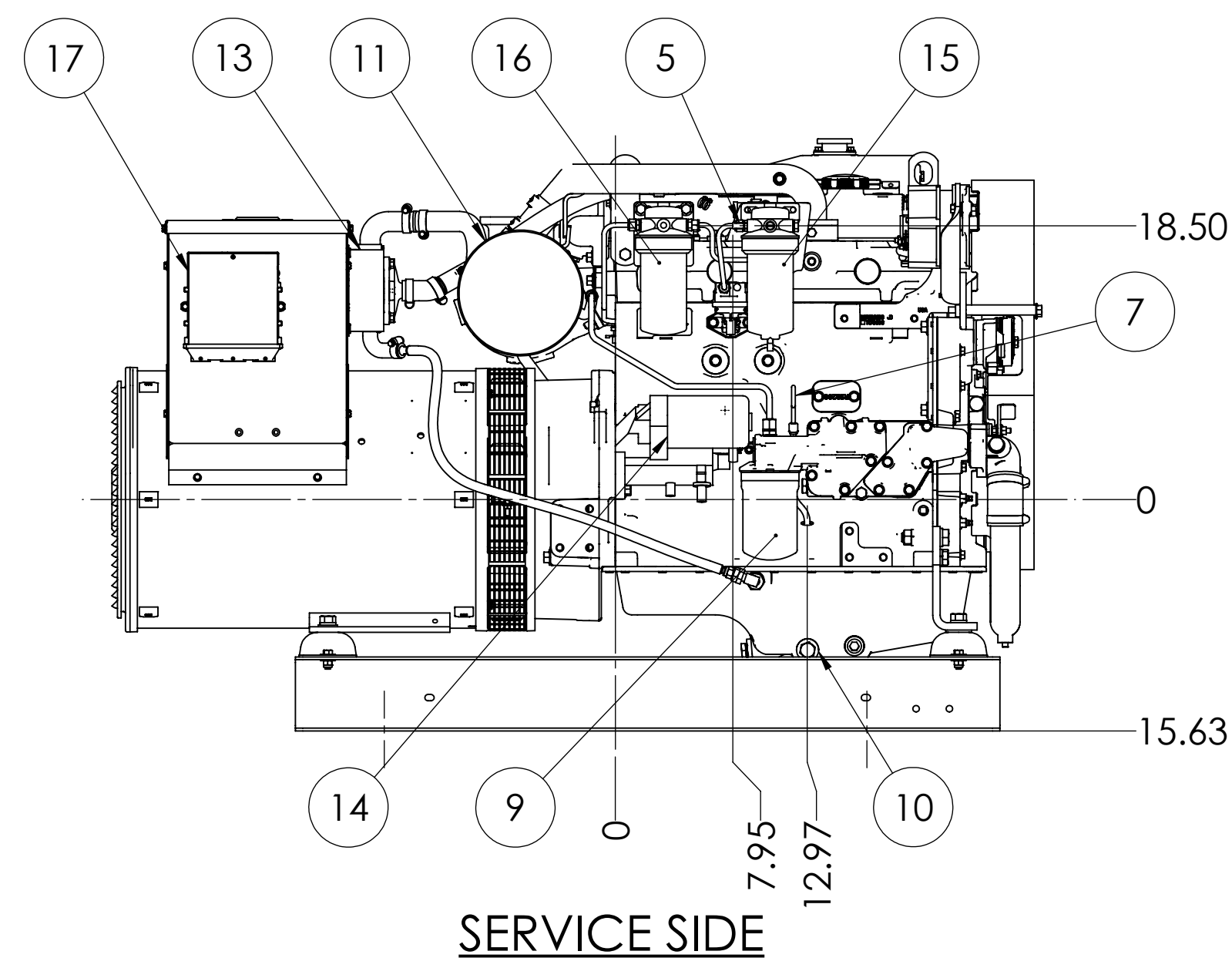


MODELS	APPROX. WT. lbs [kg]
M65C13.21 65kW 1800 RPM 60Hz 3 ϕ	2055 [932]

ITEM	DESCRIPTION
1	EXPANSION TANK
2	COOLANT FILL
3	COOLANT INLET ϕ 1.5 H.B.
4	COOLANT OUTLET ϕ 1.5 H.B.
5	FUEL SUPPLY ϕ 3/8 H.B.
6	FUEL RETURN ϕ 1/4 H.B.
7	CRANKCASE OIL DIPSTICK
8	CRANKCASE OIL FILLER
9	CRANKCASE OIL FILTER
10	ENGINE OIL DRAIN - M18x1.5
11	AIR INLET FILTER
12	DRY EXHAUST ELBOW - SEE DETAIL
13	CLOSED CRANKCASE VENTILATION SYSTEM
14	ELECTRIC STARTER
15	PRIMARY FUEL FILTER
16	FINAL FUEL FILTER
17	ENGINE CONTROL UNIT
18	OPTIONAL PMG



DRY EXHAUST ELBOW FLANGE DETAIL



NOTE: SEE D-5009 FOR INSTALLATION DIMENSIONS OF THE M65C13.21 WITH OPTIONAL PTO.

	UNLESS OTHERWISE SPECIFIED:	NAME	DATE		4420 14th AVE. N.W. Seattle, WA 98107 (206) 789-3880 www.northern-lights.com
	DIMENSIONS ARE IN INCHES TOLERANCES: ANGULAR: ±0.5° HORIZONTAL: ±0.1 XXX ±0.003 XXXX ±0.005	DRAWN: MG CHECKED: ENG APPR: MFG APPR: G.A. COMMENTS:	03/28/17		
PROPRIETARY AND CONFIDENTIAL THE INFORMATION CONTAINED IN THIS DRAWING IS THE SOLE PROPERTY OF NORTHERN LIGHTS. ANY REPRODUCTION IN PART OR AS A WHOLE WITHOUT THE WRITTEN PERMISSION OF NORTHERN LIGHTS IS PROHIBITED.	MATERIAL: FINISH: DO NOT SCALE	INTERPRET GEOMETRIC TOLERANCING PER: ASME Y14.5M	TITLE: INSTALLATION DIMENSIONS M65C13.21	SIZE: D PART NO. SCALE: 1:10	DWG. NO.: D-5008 WEIGHT: LBS. SHEET 1 OF 1