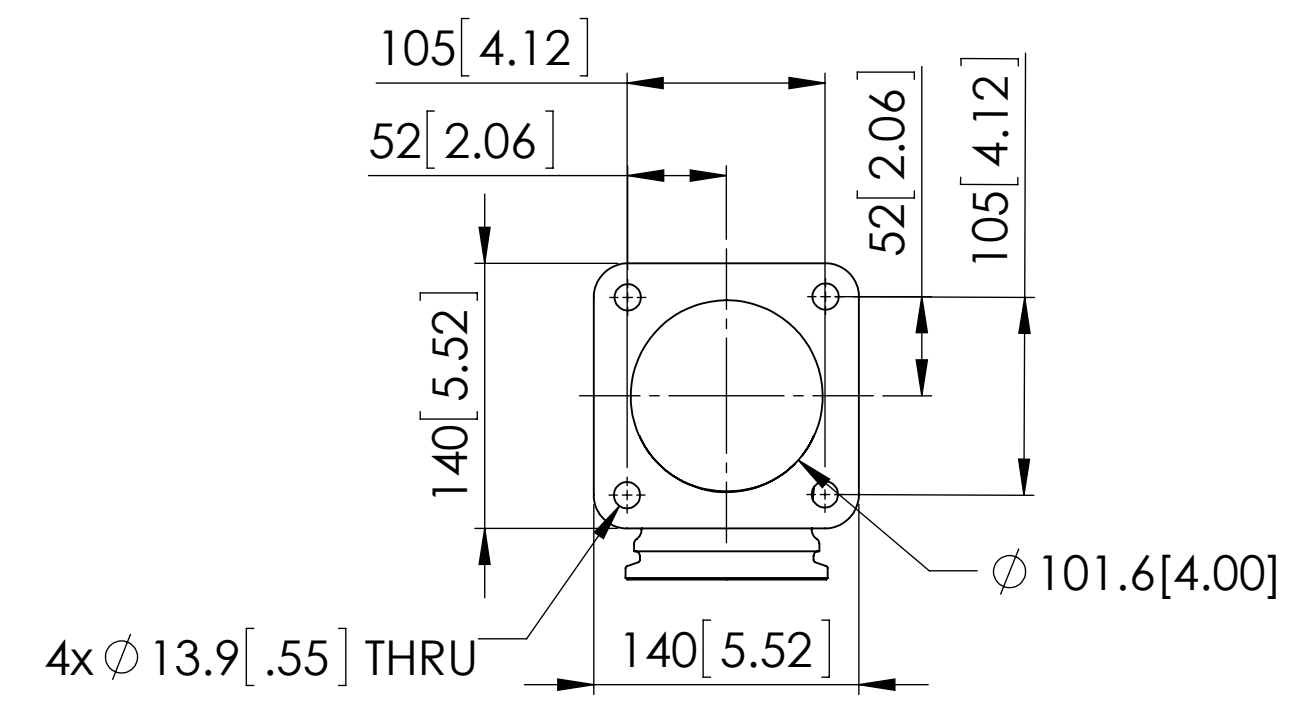
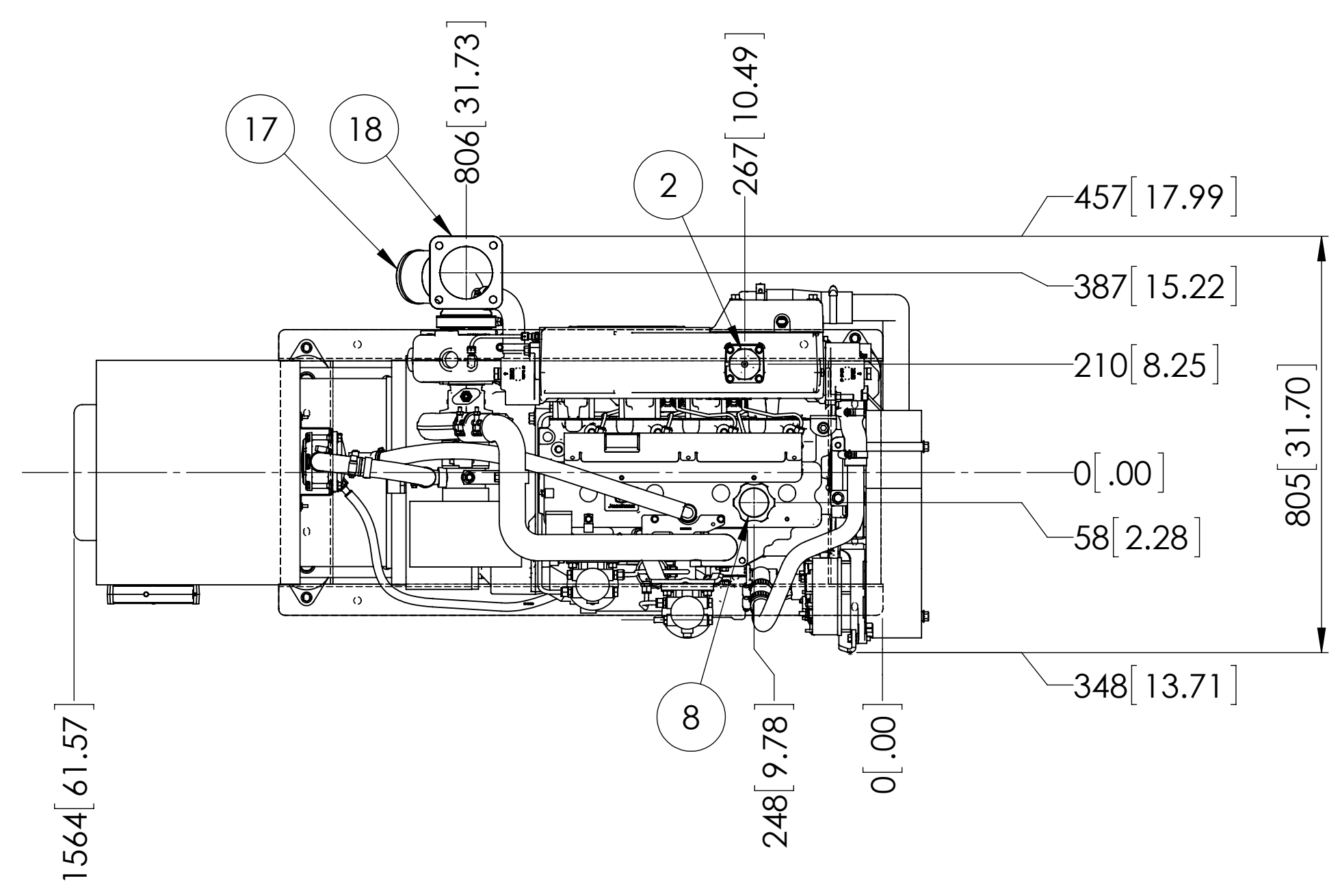
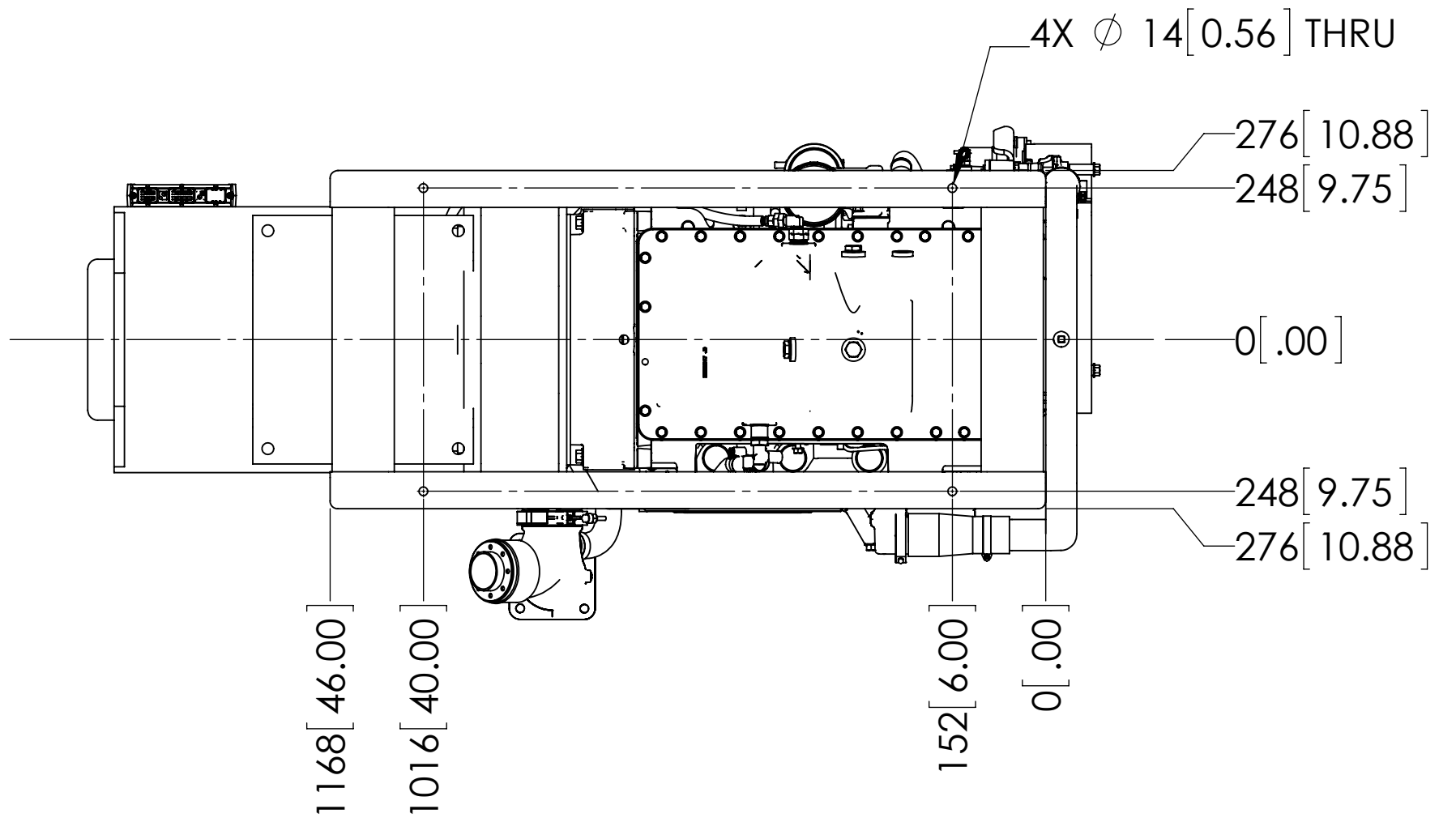
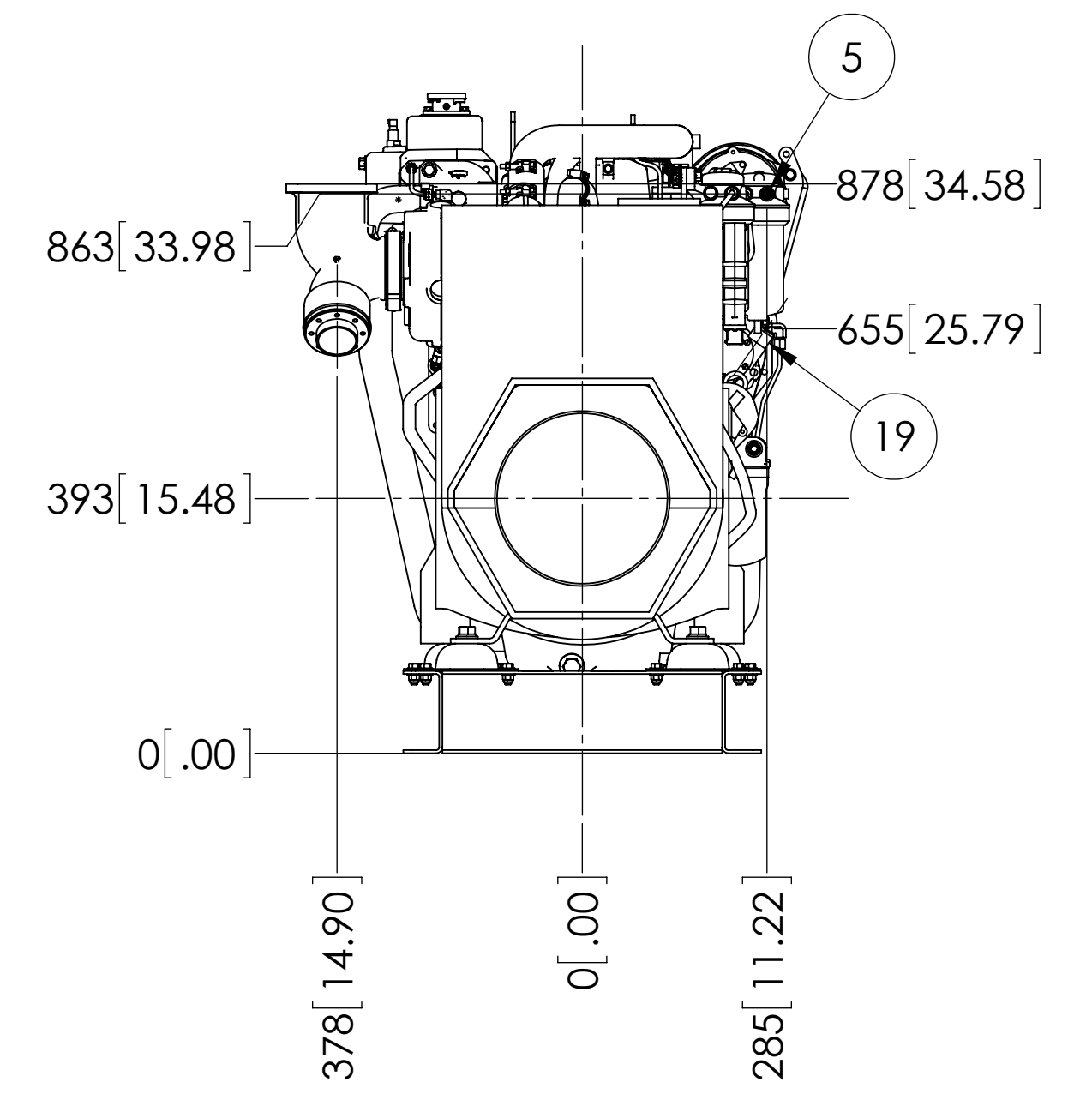
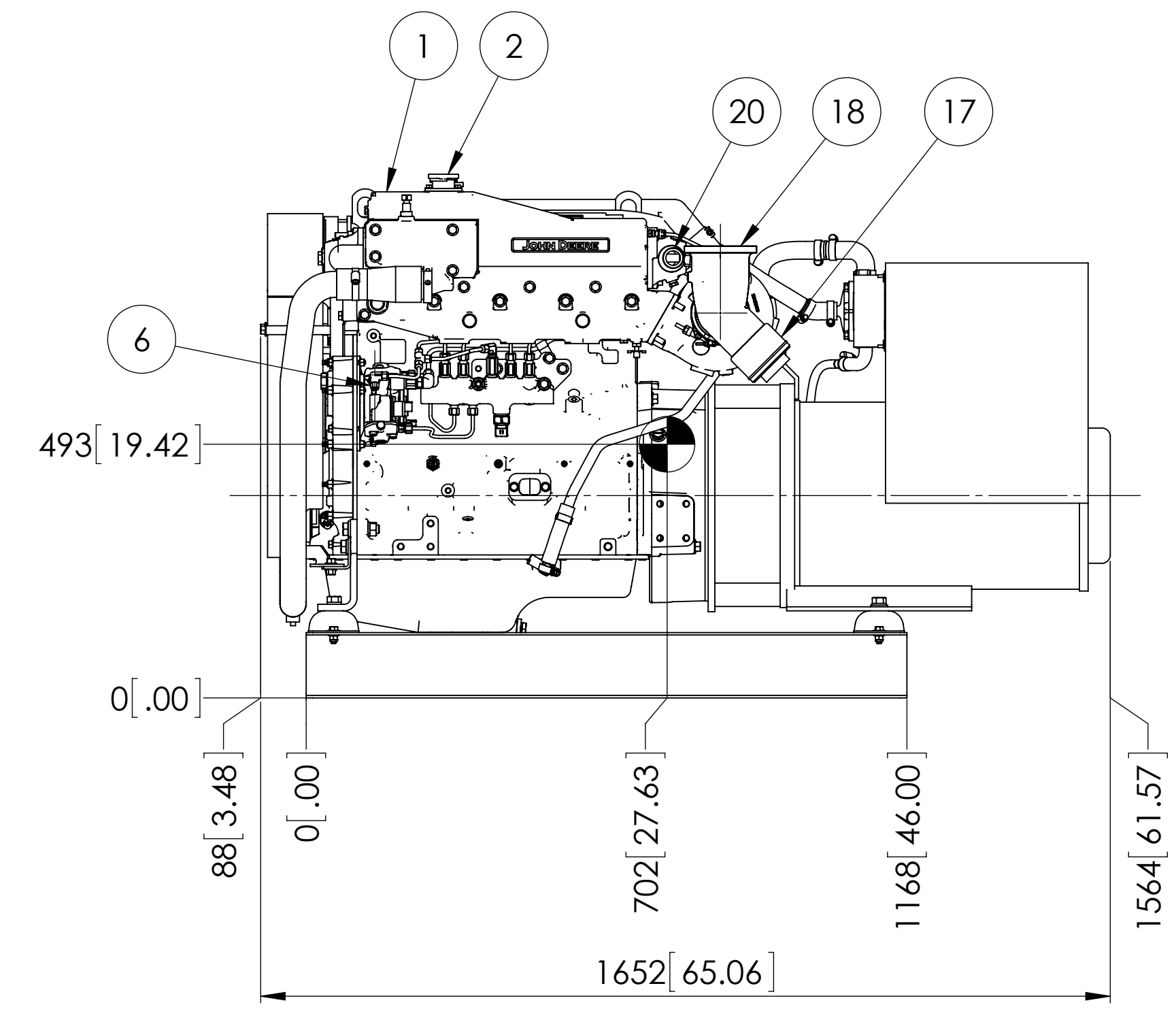
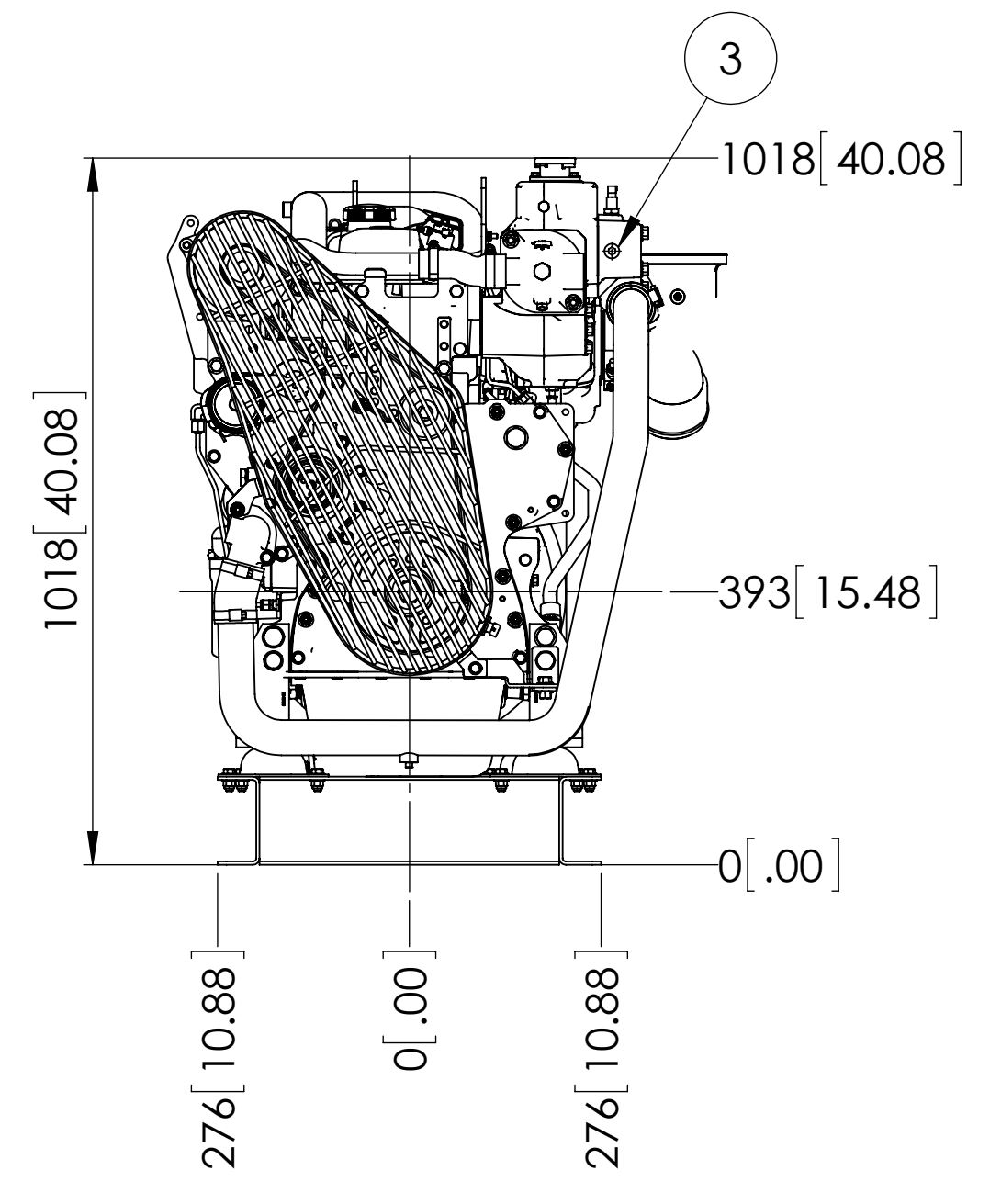
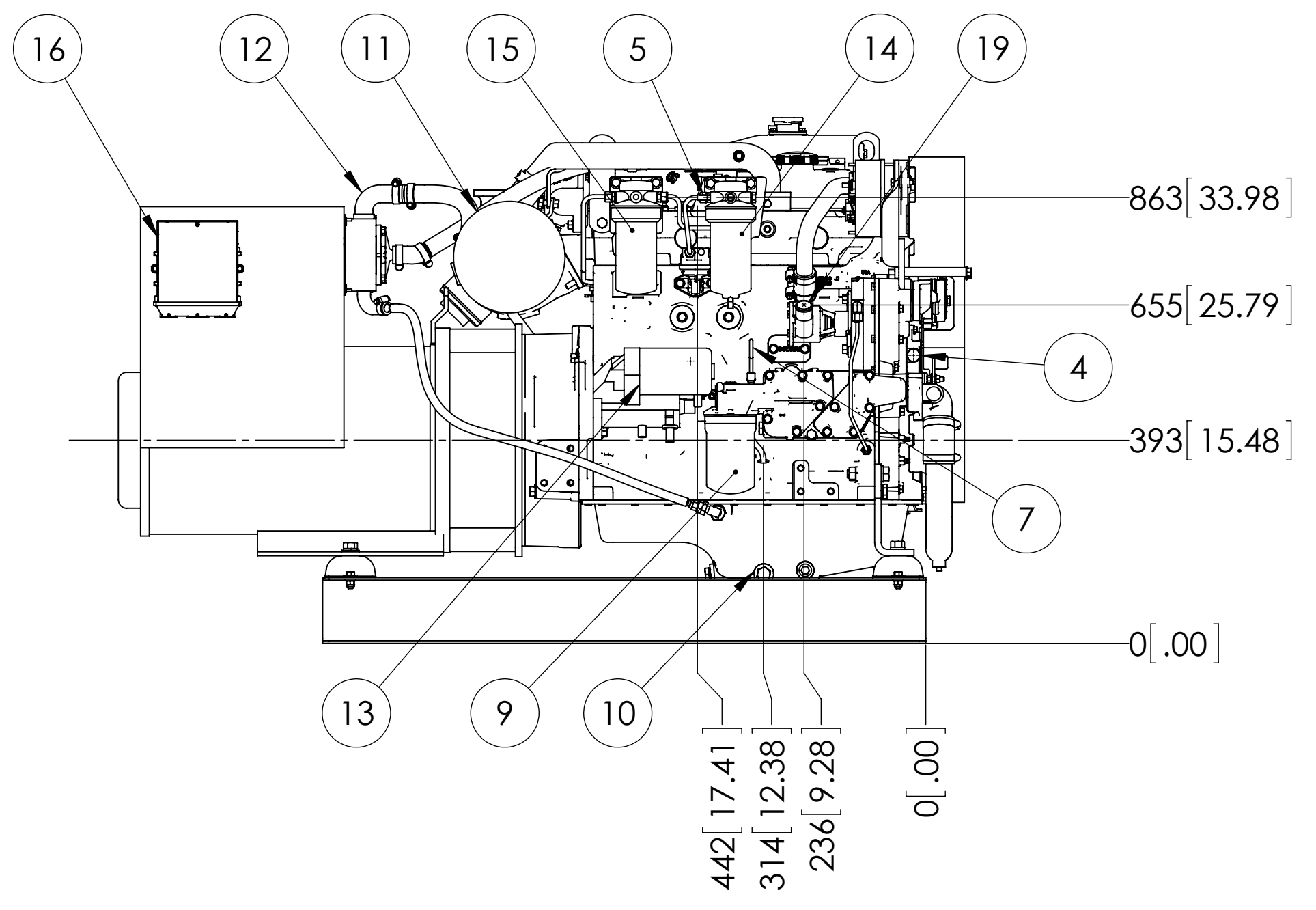


MODELS	APPROX. WT. lbs [kg]
M65C13.1S 65kW 1800 RPM 60Hz 3 ϕ	2072 [940]

ITEM	DESCRIPTION
1	EXPANSION TANK
2	COOLANT FILL
3	COOLANT - AUXILIARY SUPPLY 1/2 NPTF
4	COOLANT - AUXILIARY RETURN M18 x 1.5 O-RING PORT
5	FUEL SUPPLY ϕ 3/8 H.B.
6	FUEL RETURN ϕ 1/4 H.B.
7	CRANKCASE OIL DIPSTICK
8	CRANKCASE OIL FILLER
9	CRANKCASE OIL FILTER
10	ENGINE OIL DRAIN - M18x1.5
11	AIR INLET FILTER
12	CLOSED CRANKCASE VENTILATION SYSTEM
13	ELECTRIC STARTER
14	PRIMARY FUEL FILTER
15	FINAL FUEL FILTER
16	ENGINE CONTROL UNIT
17	OPTIONAL WET EXHAUST - ϕ 4" H.B.
18	OPTIONAL DRY EXHAUST - SEE DETAIL
19	SEA WATER INLET ϕ 1.25 H.B.
20	SEA WATER OUTLET - ϕ 1.50 H.B. (DRY EXHAUST)

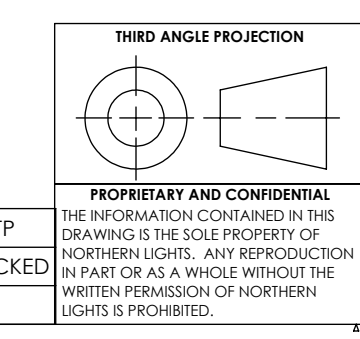


OPTIONAL DRY EXHAUST ELBOW FLANGE DETAIL



THE DIMENSIONS ON THIS DRAWING ARE SUBJECT TO CHANGE. PLEASE CONTACT NLI TO BE SURE YOU HAVE THE MOST CURRENT REVISION.

REV.	DESCRIPTION	DATE	BY	CHECKED
A	CORRECTED SEA WATER OUTLET CONNECTION SIZE: ϕ 1.50 H.B. WAS ϕ 1.25 H.B. ECN 2888	10/20/2014	MG	LTP



UNLESS OTHERWISE SPECIFIED:		NAME	DATE
DIMENSIONS ARE IN MILLIMETERS		MG	08/06/13
TOLERANCES:		CHECKED	LTP
ANGULAR: MACH \pm 0.5° BEND \pm 1.0°		ENG APPR.	
X. \pm 3		MFG APPR.	
X.X \pm 2		Q.A.	
INTERPRET GEOMETRIC TOLERANCING PER ASME Y14.5M		COMMENTS:	
MATERIAL:			
FINISH:			
DO NOT SCALE			

NORTHERN LIGHTS
 4420 14th AVE. N.W.
 Seattle, WA 98107
 (206) 789-3880
 www.northern-lights.com

TITLE: **INSTALLATION DIMENSIONS**
M65C13 HEAT EXCHANGED

SIZE: **D** PART NO. DWG. NO. **D-4808** REV **A**

SCALE: 1:10 WEIGHT: SHEET 1 OF 1

D-4808