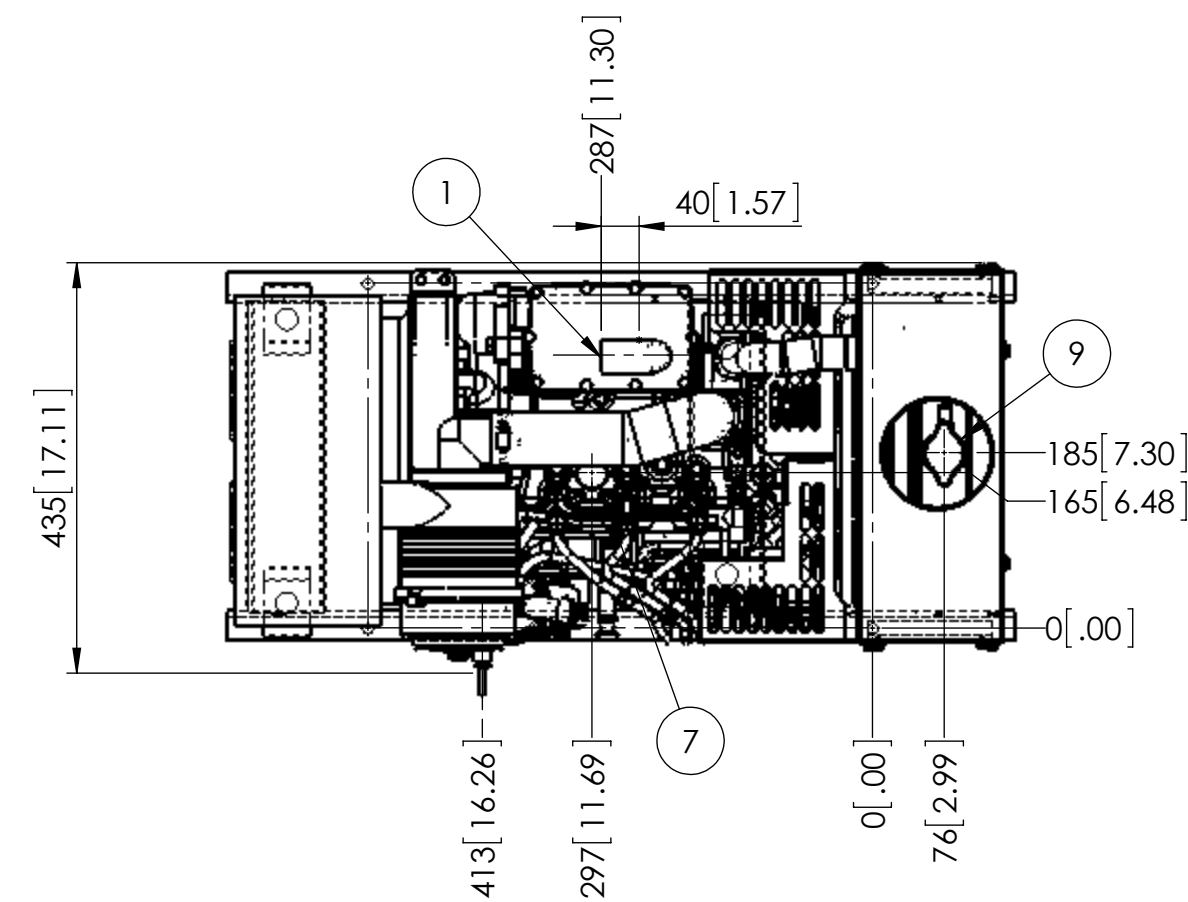
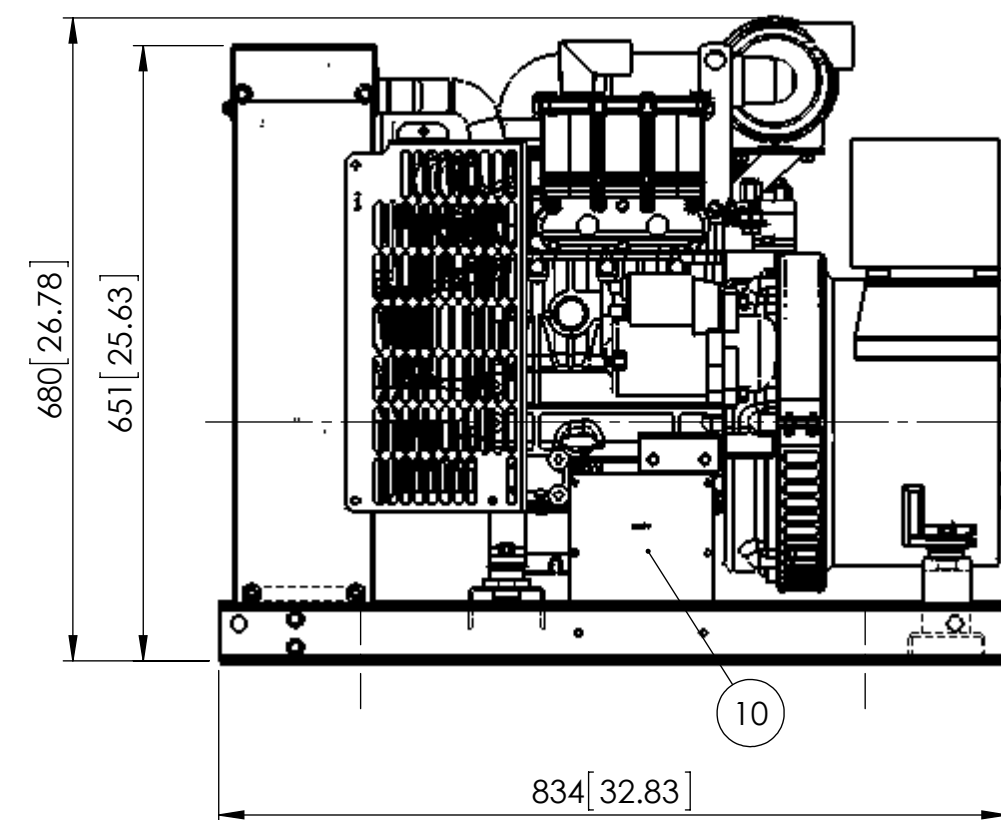


MODELS	APPROX. WT. kg [lbs]
NL673L4 1800 RPM 60Hz 5kW 1 Ø	178 [390]
NL673L4E 1800 RPM 60Hz 6kW 1 Ø	178 [390]

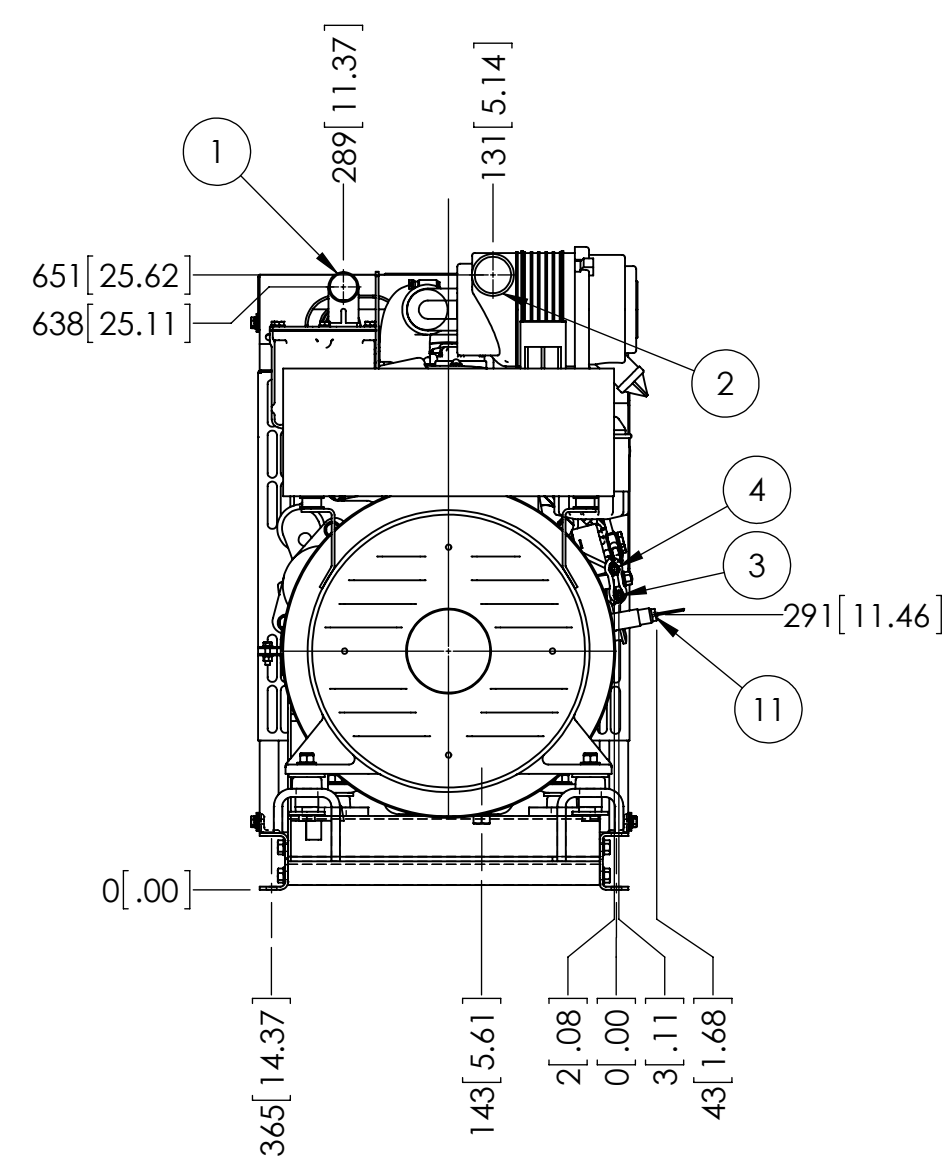
ITEM	DESCRIPTION
1	EXHAUST ELBOW Ø32 [1.25]
2	AIR FILTER
3	FUEL INLET Ø8[.31] HB
4	FUEL RETURN Ø8[.31] HB
5	FUEL FILTER
6	OIL FILTER
7	OIL FILL
8	OIL DIPSTICK
9	COOLANT FILL
10	ECU (ON NL673L4E ONLY)
11	MAGNETIC PICK-UP (ON NL673L4E ONLY)
12	OIL DRAIN



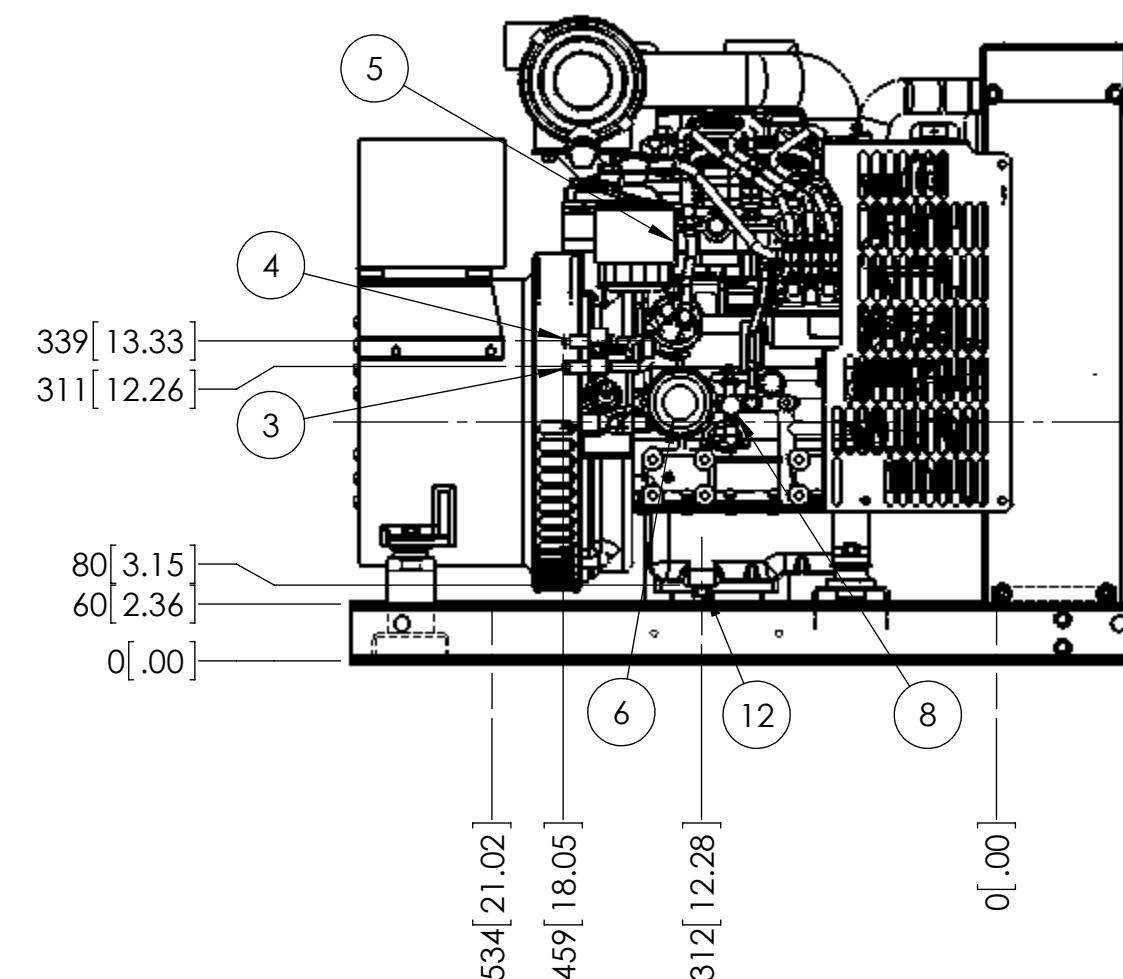
PLAN VIEW



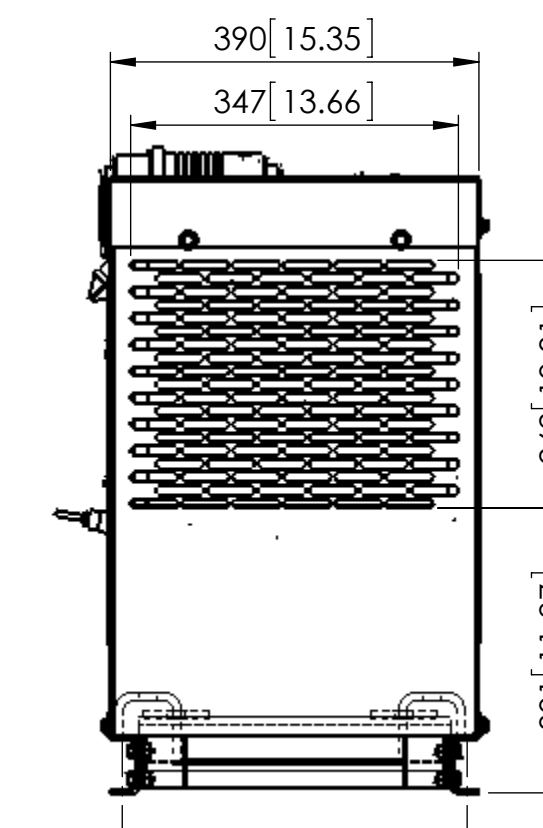
LEFT SIDE



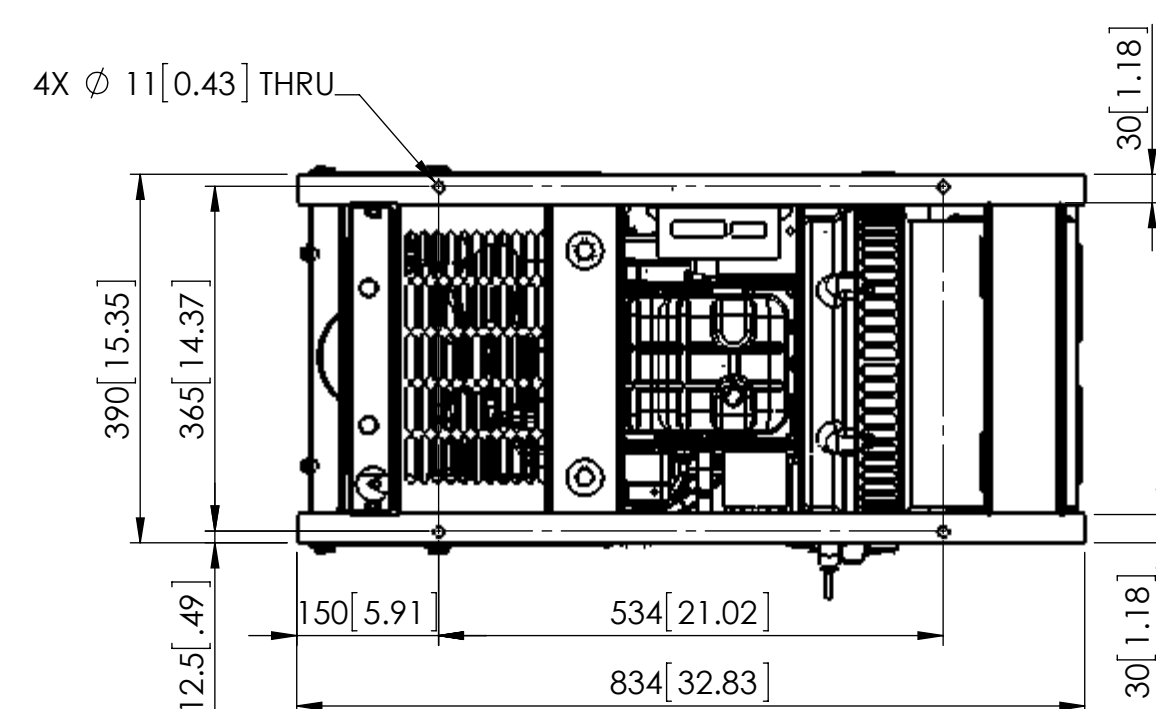
REAR VIEW



RIGHT SIDE

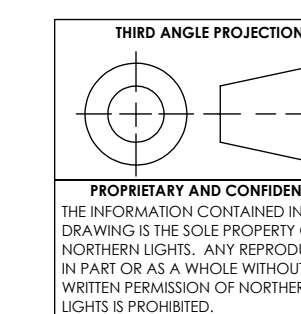


FRONT VIEW



BOTTOM VIEW

THE DIMENSIONS ON THIS DRAWING ARE SUBJECT TO CHANGE. PLEASE CONTACT NLI TO BE SURE YOU HAVE THE MOST CURRENT VERSION.



UNLESS OTHERWISE SPECIFIED:		NAME	DATE
DIMENSIONS ARE IN MILLIMETERS		MG	04/09/13
TOLERANCES:		CHECKED	LTP
ANGULAR:		ENG APPR.	
MACH ± 0.1°		MEG APPR.	
X ± 0.3		G.A.	
X.X ± 0.3		COMMENTS:	
INTERPRET GEOMETRIC TOLERANCING PER ASME Y14.5M			
MATERIAL:			
FINISH:			
DO NOT SCALE			

<b>NORTHERN LIGHTS</b>		4420 14th AVE. N.W. Seattle, WA 98107 (206) 789-3880 www.northern-lights.com	
TITLE: INSTALLATION DIMENSIONS NL673L4/NL673L4E			
SIZE	PART NO.	DWG. NO.	REV
D	SEE TABLE	D-4650	
SCALE: 1:8	WEIGHT:	SHEET 1 OF 1	